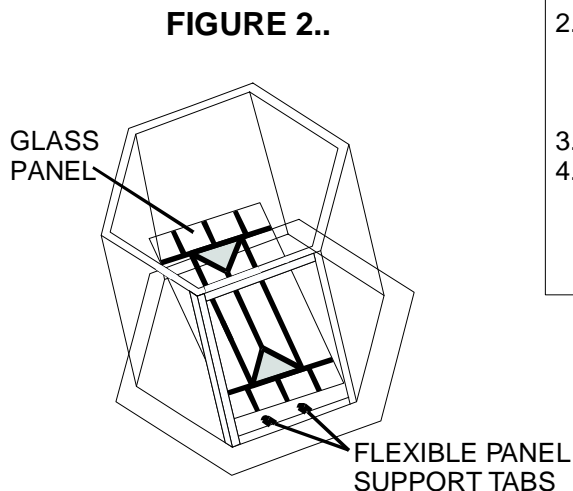
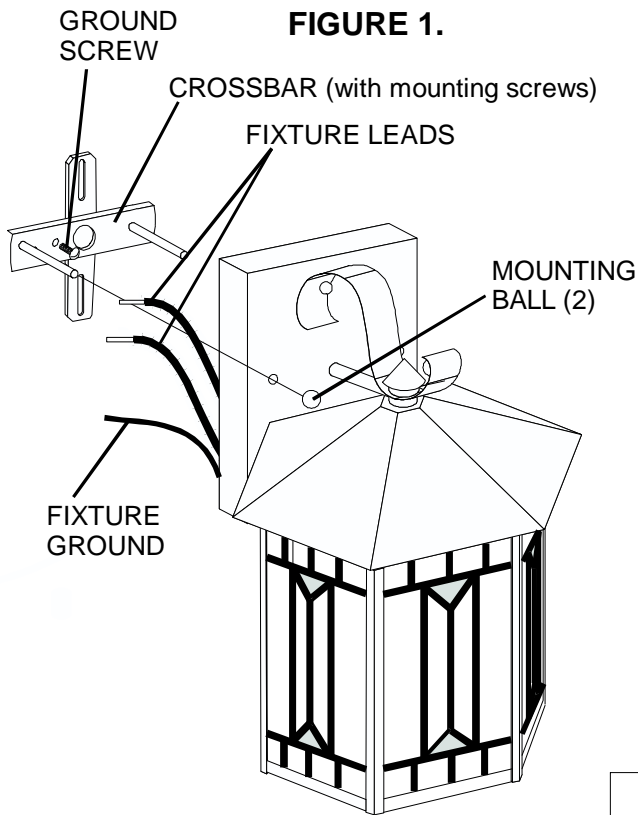


INSTALLATION INSTRUCTIONS:
For (CL8427Z, CL8428Z and CL8429Z)

1. Before beginning the installation, carefully unpack and identify all parts referring to the illustration FIGURE 1.
2. Turn the power to the installation point OFF.
3. Using the OUTLET BOX SCREWS (not supplied), fasten the CROSSBAR to the outlet box.
4. Make the wiring connections: Using the GROUND SCREW (green) connect the HOUSE GROUND WIRE and FIXTURE GROUND to the CROSSBAR; using wire connectors (not supplied) connect the HOUSE WHITE WIRE to the FIXTURE WHITE (or RIBBED) LEAD(s); connect the HOUSE BLACK (or RED) WIRE to the FIXTURE BLACK (or SMOOTH) LEAD. Make sure there are no exposed wires or strands.
5. Carefully tuck all wires into the outlet box and position the FIXTURE over the MOUNTING SCREWS. Locate (2) MOUNTING BALLS and attach to (2) MOUNTING SCREWS. Before tightening, make sure all wires are in outlet box. Proceed to tighten balls until snug.
6. Install bulb(s) Check fixture markings and /or labels for maximum wattage..
7. Restore power to the installation point.



REPLACEMENT OF GLASS PANEL INSTRUCTIONS: (see FIGURE 2)

1. With the power turned OFF, remove the FIXTURE and carefully place on a flat work surface. The top of the FIXTURE should be facing down.
2. Locate the (2) FLEXIBLE PANEL SUPPORT TABS (located towards the inside top of the fixture). Bend these forward to free damaged GLASS PANEL. (Quoizel recommends the wearing of protective glasses and gloves during the GLASS PANEL replacement).
3. Remove and replace GLASS PANEL.
4. Secure the new GLASS PANEL by bending (2) FLEXIBLE SUPPORT TABS to upright position. Return FIXTURE to original position.

IF IN DOUBT ABOUT ELECTRICAL INSTALLATION, CONSULT A LICENSED ELECTRICIAN !!!!!!!!!!!!!!!