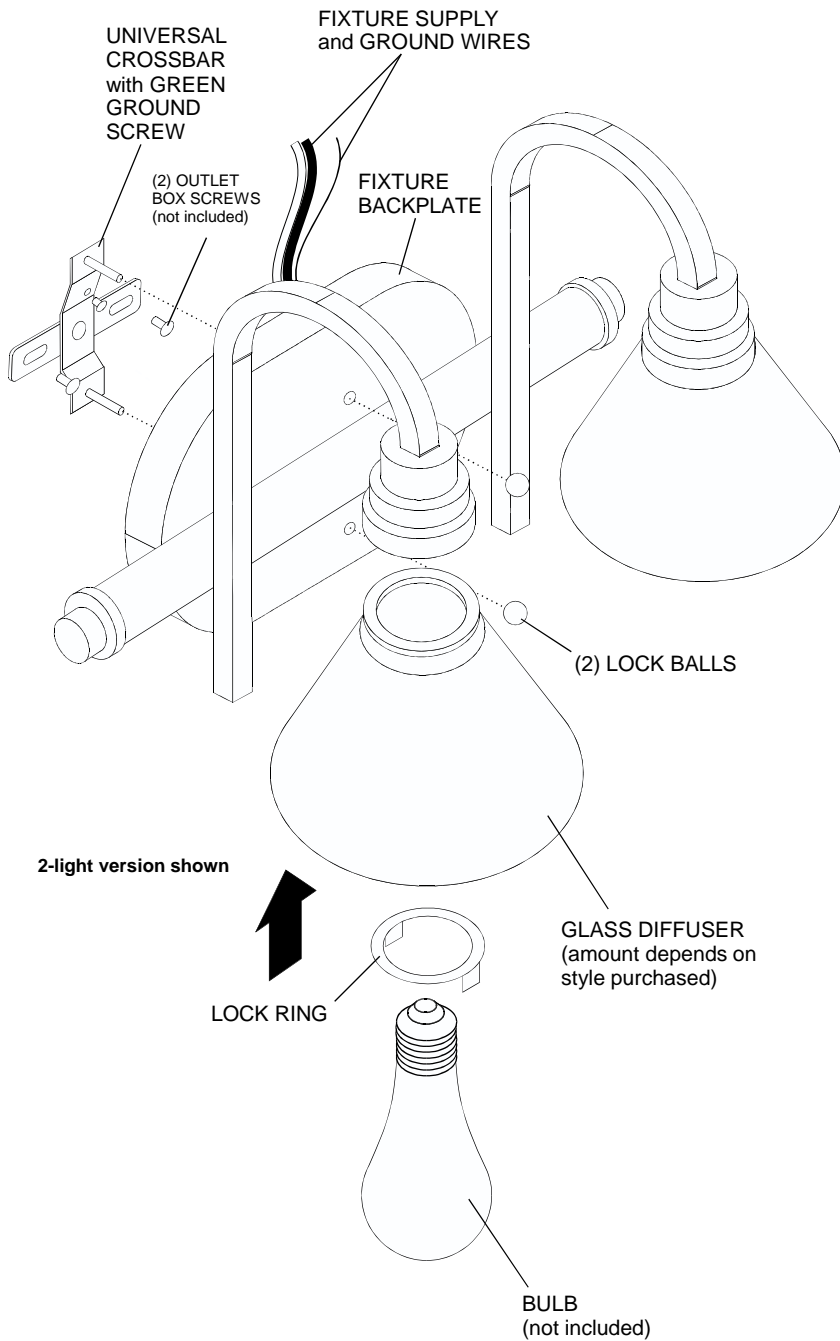


**FIXTURE INSTALLATION INSTRUCTIONS:**



1. Before beginning fixture installation, carefully unpack all parts referring to illustration for parts identification.
2. With power to the installation OFF, locate the UNIVERSAL CROSSBAR with GREEN GROUND SCREW and secure to WALL MOUNTED OUTLET BOX with (2) OUTLET BOX SCREWS (not included).
3. **Make the connections:** Position the FIXTURE BACKPLATE in front of the WALL MOUNTED OUTLET BOX and attach the HOUSE GROUND WIRE to the FIXTURE GROUND WIRE. Proceed to then attach both to the UNIVERSAL CROSSBAR with GREEN GROUND SCREW. Using wire connectors (supplied), proceed to attach the HOUSE WHITE WIRE to the FIXTURE WHITE SUPPLY WIRE; connect the HOUSE BLACK (or RED) WIRE to the FIXTURE BLACK SUPPLY WIRE. Wrap all connections with approved electrical tape.
4. Carefully tuck all wiring into the WALL MOUNTED OUTLET BOX and pass the (2) MOUNTING HOLES in the FIXTURE BACKPLATE over the (2) MOUNTING SCREWS attached to the UNIVERSAL CROSSBAR. Thread (2) LOCK BALLS on ends of screws and hand tighten to secure fixture against wall. Make sure there are no trapped or pinched wires.
5. Locate (1) GLASS DIFFUSER and LOCK RING. Pass the mounting hole at top diffuser over SOCKET. Thread LOCK RING onto SOCKET to secure GLASS DIFFUSER. Repeat process for remaining diffuser(s) Note: amount of GLASS DIFFUSERS depends on style purchased.
6. Install the bulb(s) referring to fixture markings and/or labels for maximum wattage.
7. Restore power to the installation point ON. **Retain these instructions for parts replacement.**