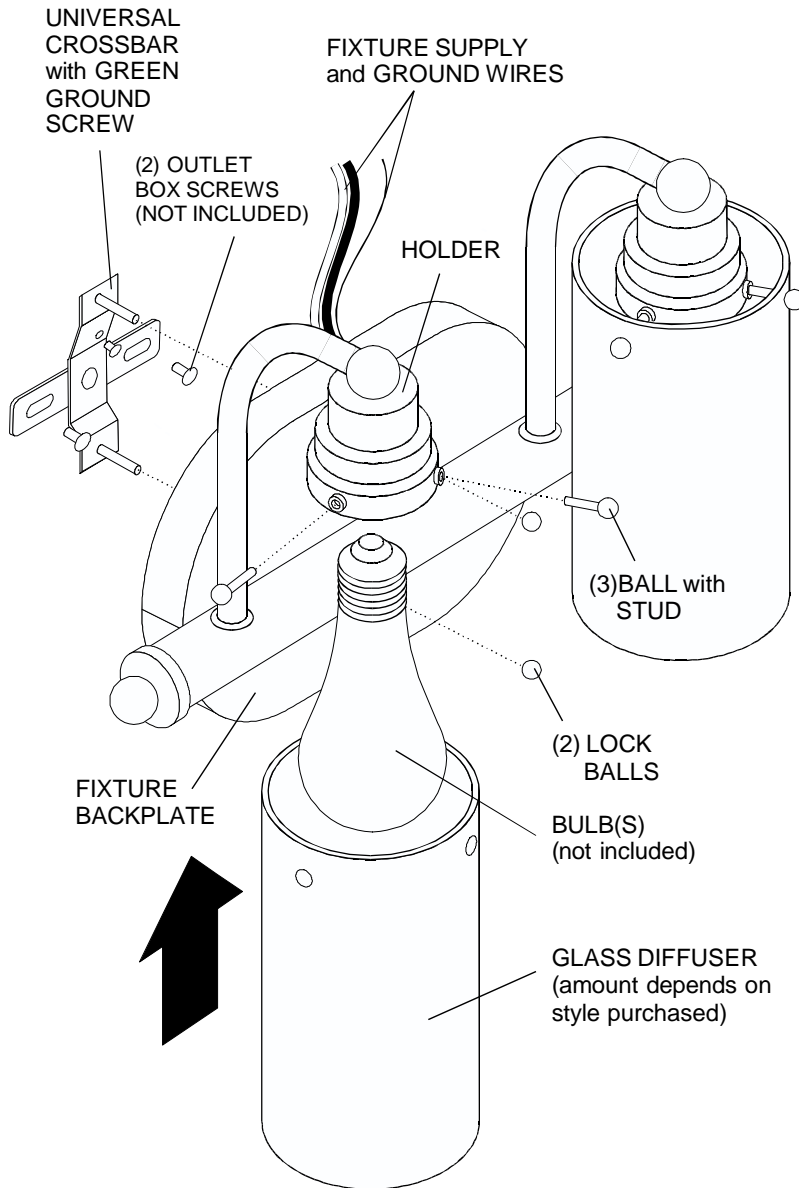


**FIXTURE INSTALLATION**  
**INSTRUCTIONS:**

**FIGURE 1.**



2-light version shown

1. Before beginning fixture installation, carefully unpack all parts referring to FIGURE 1 for parts identification.
2. With power to the installation OFF, locate the UNIVERSAL CROSSBAR with GREEN GROUND SCREW and secure to WALL MOUNTED OUTLET BOX with (2) OUTLET BOX SCREWS (not included).
3. **Make the connections:** Position the FIXTURE BACKPLATE in front of the WALL MOUNTED OUTLET BOX and attach the HOUSE GROUND WIRE to the FIXTURE GROUND WIRE. Proceed to then attach both to the UNIVERSAL CROSSBAR with GREEN GROUND SCREW. Using wire connectors (supplied), proceed to attach the HOUSE WHITE WIRE to the FIXTURE WHITE SUPPLY WIRE; connect the HOUSE BLACK (or RED) WIRE to the FIXTURE BLACK SUPPLY WIRE. Wrap all connections with approved electrical tape.
4. Carefully tuck all wiring into the WALL MOUNTED OUTLET BOX and pass the (2) MOUNTING HOLES in the FIXTURE BACKPLATE over the (2) MOUNTING SCREWS attached to the UNIVERSAL CROSSBAR. Thread (2) LOCK BALLS on ends of screws and hand tighten to secure fixture against wall. Make sure there are no trapped or pinched wires.
5. Install the bulb(s) referring to fixture markings and/or labels for maximum wattage.
6. Locate (1) GLASS DIFFUSER and (3) BALL with STUD. Align the (3) MOUNTING HOLES towards the top of diffuser with (3) MOUNTING INSERTS located on side of HOLDER. Pass the studs through mounting holes and thread into inserts. Hand tighten to secure GLASS DIFFUSER and repeat process for remaining diffuser(s) Note: amount of GLASS DIFFUSERS depends on style purchased.
7. Restore power to the installation point ON. **Retain these instructions for parts replacement.**