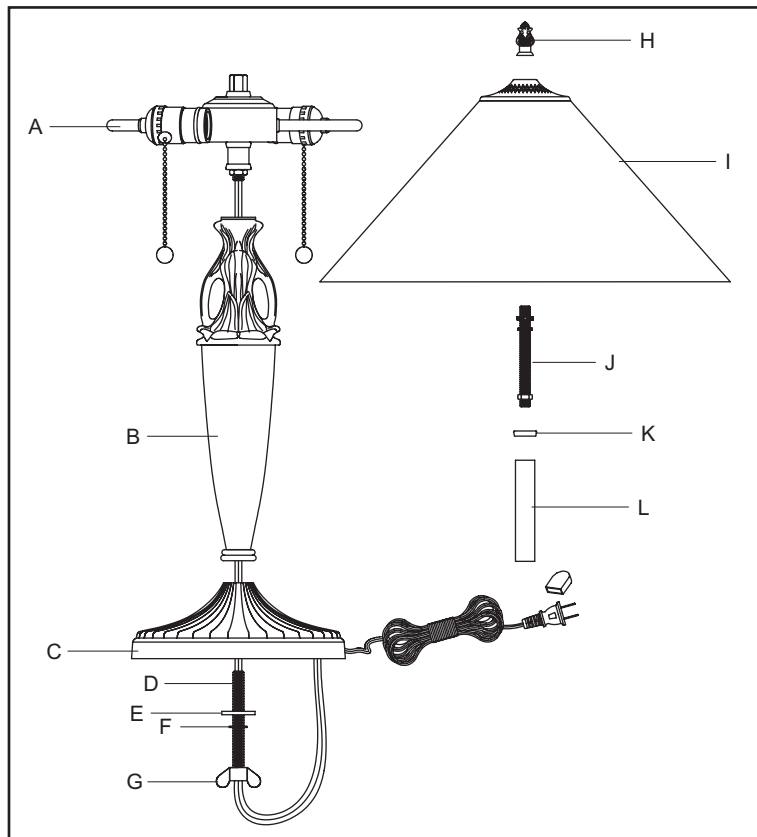


**PACKAGE CONTENTS**

ISSUED 09-2010

REVISED 2012-06-25

PART	DESCRIPTION	QUANTITY
A	Socket Assembly	1 pc
B	Center Column	1 pc
C	Base	1 pc
D	Nipple	1 pc
E	Flat Washer	1 pc
F	Lock Washer	1 pc
G	Thumb Nut	1 pc
H	Finial	1 pc
I	Shade	1 pc
J	Nipple with Knurled Nuts	1 pc
K	Check Ring	1 pc
L	Spacer Tube	1 pc



**! CAUTIONS**

- These instructions are provided for your safety. It is very important that they are read completely before the installation of your fixture. We strongly recommend that a professional electrician install the fixture.
- Disconnect fixture from the power source before replacing the bulb(s), making sure the bulb(s) had sufficient time to cool down. DO NOT subject the lamp to any shock while lit as shattering of lamp may result.

**PREPARATION**

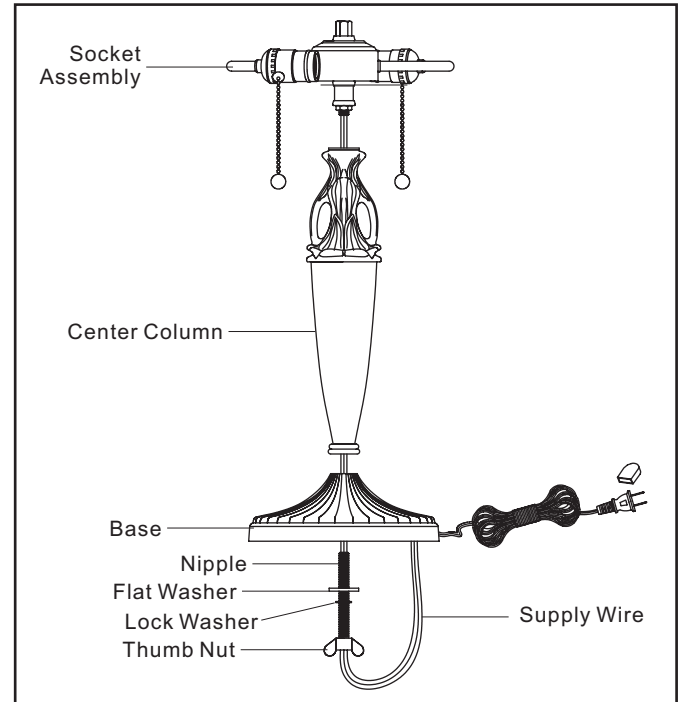
- Before beginning installation of product, make sure all parts are present. Compare parts with package contents list and diagram above. If any part is missing or damaged, do not attempt to assemble, install or operate the product. Contact customer service for replacement part.
- Estimated Assembly Time: 20 - 30 minutes
- Tool Required for Assembly (not included): Flathead screwdriver, Phillips screwdriver, Pliers and (2) 75W A19 medium base bulbs.

# INSTALLATION INSTRUCTIONS

STYLE NUMBER: TF6821VB

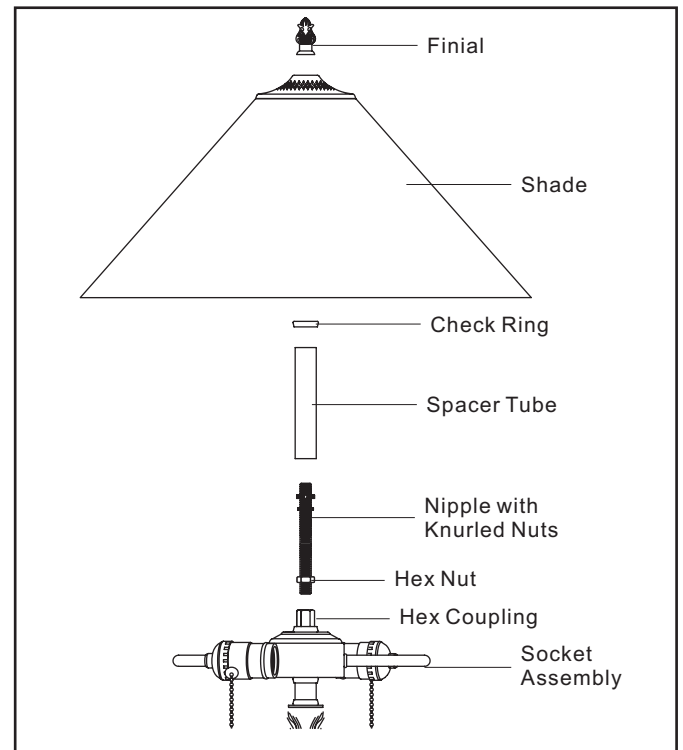
## STEP 1:

- Thread the Socket Assembly onto the top end of the Center Column and hand-tighten until snug.
- Place the Nipple through the Base, screw into the bottom end of the Center Column. Tighten until snug.
- Place the Flat Washer and the Lock Washer over the end of the Nipple. Secure by threading the Thumb Nut onto the Nipple. Hand-tighten until snug.



## STEP 2:

- Remove Knurled Nuts from the Nipple with Knurled Nuts.
- Screw the Hex Nut end of the Nipple into the Hex Coupling on the top center of the Socket Assembly. By using pliers, thread the Hex Nut against the Hex Coupling and hand tighten until snug.
- Place the Spacer Tube and the Check Ring over the Nipple. Secure them by threading small Knurled Nut back onto the Nipple. Hand-tighten until snug.
- Thread the big Knurled Nut onto the top end of the Nipple. Adjust it to proper location for the Shade and Finial.
- Place the Shade over the top end of the Nipple and secure with the Finial. Hand-tighten until snug.



## STEP 3:

- Install correct Bulbs referring to fixture markings and/or labels for maximum wattage.

Your assembly is completed now. Retain this sheet for future reference.