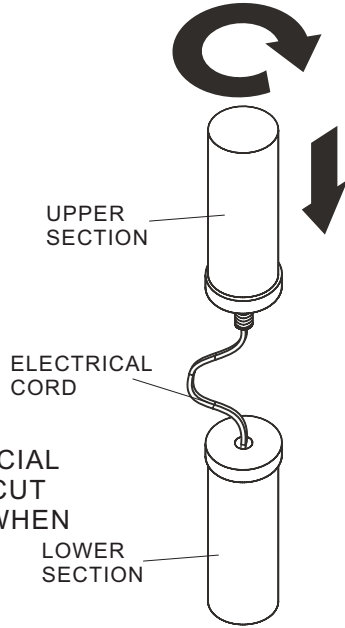


BEFORE BEGINNING ASSEMBLY/SHADE INSTALLATION, CAREFULLY UNPACK ALL PARTS AND REFER TO THE ILLUSTRATIONS FOR PARTS IDENTIFICATION. THIS INSTRUCTION SHEET COVERS A VARIETY OF LAMPS AND SHADE APPLICATIONS. DO NOT PLUG IN YOUR LAMP TO A POWER SOURCE UNTIL ALL ASSEMBLY AND BULB INSTALLATION IS COMPLETE.

TORCHIERE & FLOOR LAMP TUBE SECTIONS

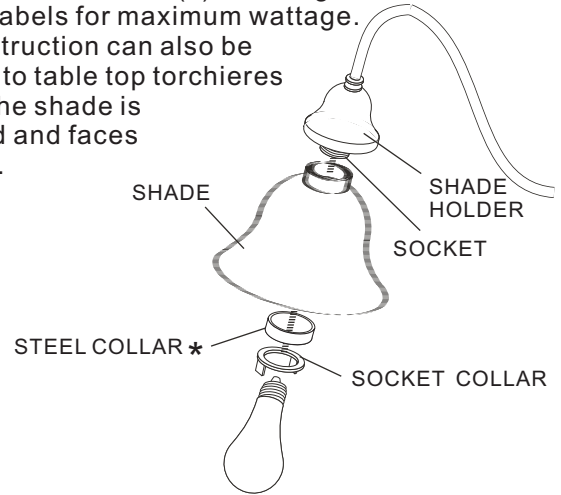
Place lamp base onto a flat surface. Thread UPPER SECTION and LOWER SECTION together and hand tighten until snug. Note: depend on style purchased, lamps may be divided into more than (2) sections and may or may not have lamp base joined to end of LOWER SECTION. Join all sections together.



NOTE: PLEASE TAKE SPECIAL CARE NOT TO PINCH OR CUT THE ELECTRICAL CORD WHEN JOINING THE SECTIONS.

TASK LAMPS

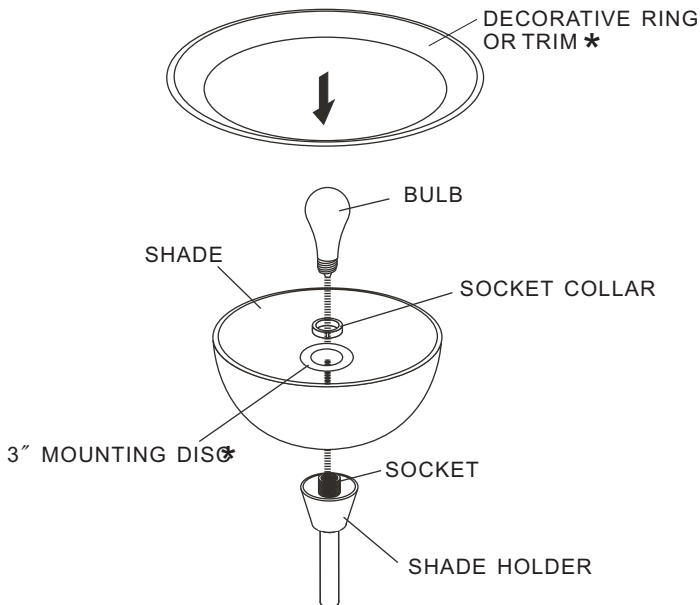
Locate the hole in the SHADE over the SOCKET so it sets onto the SHADE HOLDER. Thread the STEEL COLLAR (*) and SOCKET COLLAR onto the socket. Hand tighten until snug. Install the bulb(s) referring to the fixture markings and/or labels for maximum wattage. This instruction can also be applied to table top torchieres where the shade is inverted and faces upward.



NOTE: A PART DESCRIPTION FOLLOWED BY AN ASTERISK (*) MAY OR MAY NOT BE INCLUDED IN YOUR STYLE OF LUMINAIRE.

TORCHIERE GLASS

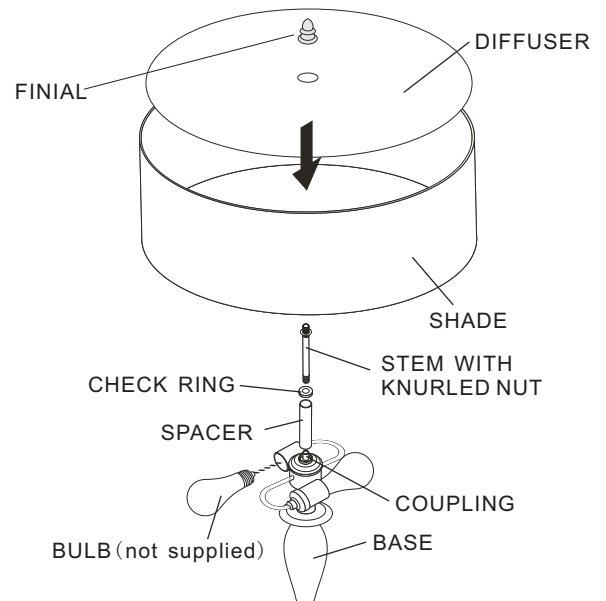
Position the SHADE/GLASS and the 3" MOUNTING DISK(*) over the SOCKET. Thread the SOCKET COLLAR onto the SOCKET and hand tighten until snug to secure them. Install the bulb(s) referring to the fixture markings and/or labels for maximum wattage. Position the DECORATIVE RING/TRIM(*) onto the outside edge of the SHADE/GLASS.



NOTE: A PART DESCRIPTION FOLLOWED BY AN ASTERISK (*) MAY OR MAY NOT BE INCLUDED IN YOUR STYLE OF LUMINAIRE.

HARDBACK SHADE W/ TOP DIFFUSER

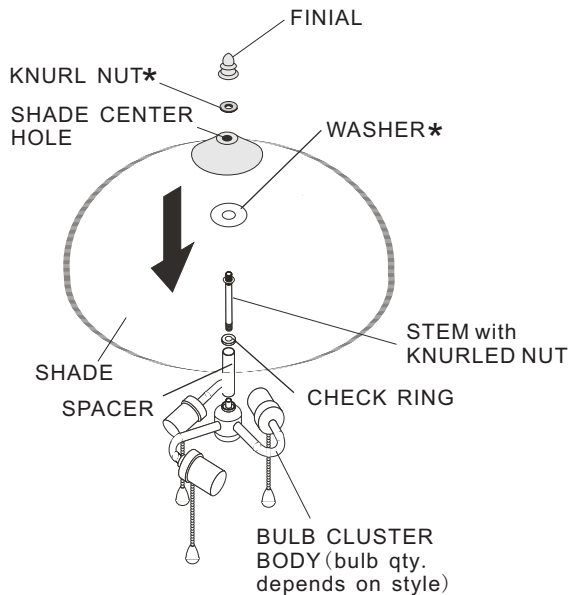
Remove the KNURLED NUT from the STEM and then thread end of STEM into COUPLING on the top center of socket body. Hand tighten until snug. Position SPACER and CHECK RING downwards over top end of STEM and thread KNURLED NUT until snug to secure them. Locate SHADE and DIFFUSER over top end of STEM. Secure them by threading FINIAL onto the top end of STEM. Hand tighten until snug. Install bulb(s) referring to fixture markings and/or labels for maximum wattage.



NOTE: A PART DESCRIPTION FOLLOWED BY AN ASTERISK (*) MAY OR MAY NOT BE INCLUDED IN YOUR STYLE OF LUMINAIRE.

ROUND TIFFANY STYLE SHADES

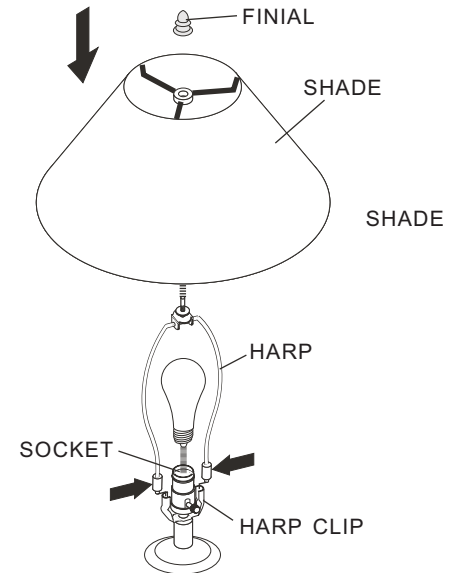
Remove the KNURLED NUT from the STEM and thread the end of STEM into COUPLING on the top center of the socket body. Hand tighten until snug. Position SPACER and CHECK RING downwards over the top end of the STEM and thread the KNURLED NUT until snug to secure them. Locate WASHER (*) and SHADE over top end of STEM. Secure them by threading the KNURLED NUT (*) onto the top end of STEM. Hand tighten until snug. Proceed to thread FINIAL onto top end of the STEM and tighten until snug. Install bulb(s) referring to fixture markings and/or labels for maximum wattage.



NOTE: A PART DESCRIPTION FOLLOWED BY AN ASTERISK (*) MAY OR MAY NOT BE INCLUDED IN YOUR STYLE OF LUMINAIRE.

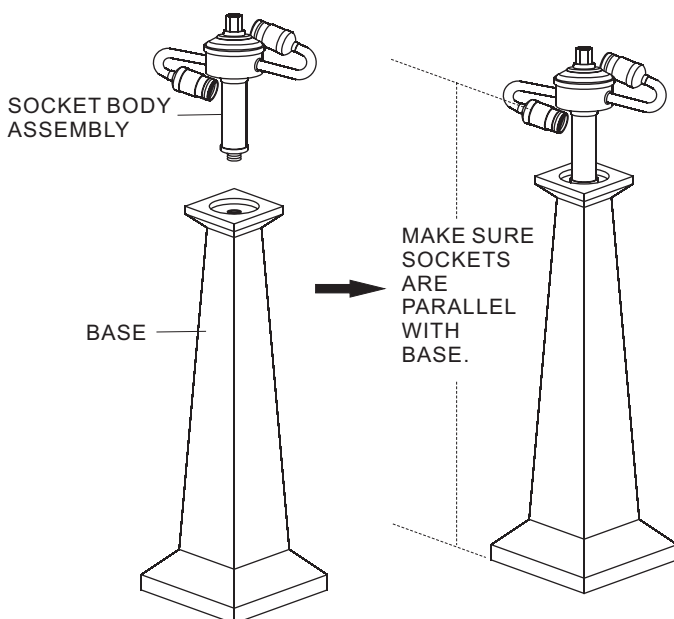
BASIC STYLE SHADES

Locate the HARP and squeeze the ends of it into the HARP SADDLE. Slide the small cups over the harp ends and saddle, securing it in place. Next, install the bulb(s) referring to the fixture markings and /or labels for maximum wattage. Place the SHADE over the top of the HARP. Locate and thread the finial onto the top end of the HARP. Tighten the FINIAL until it is snug to secure the SHADE.



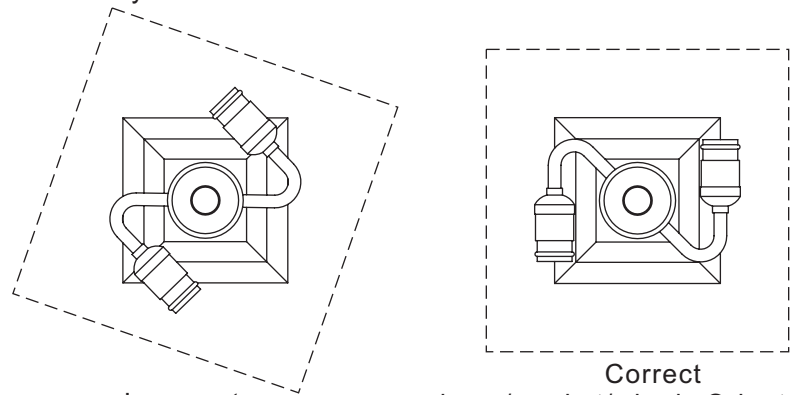
NOTE: A PART DESCRIPTION FOLLOWED BY AN ASTERISK (*) MAY OR MAY NOT BE INCLUDED IN YOUR STYLE OF LUMINAIRE.

SQUARE TIFFANY SHADE AND BASE WITH 2 LIGHT "S" CLUSTER



Thread the end of the SOCKET BODY ASSEMBLY into the mounting hole on the top of the BASE. Tighten them together and make sure the direction of SOCKETS are in-line with the edge of the BASE.

Next, follow the instructions else where on this instruction sheet describing how to install your tiffany style shade.



Incorrect
base/ socket/ shade Orientation

Correct
base/ socket/ shade Orientation

NOTE: A PART DESCRIPTION FOLLOWED BY AN ASTERISK (*) MAY OR MAY NOT BE INCLUDED IN YOUR STYLE OF LUMINAIRE.

RETAIN THIS SHEET FOR FUTURE REFERENCE