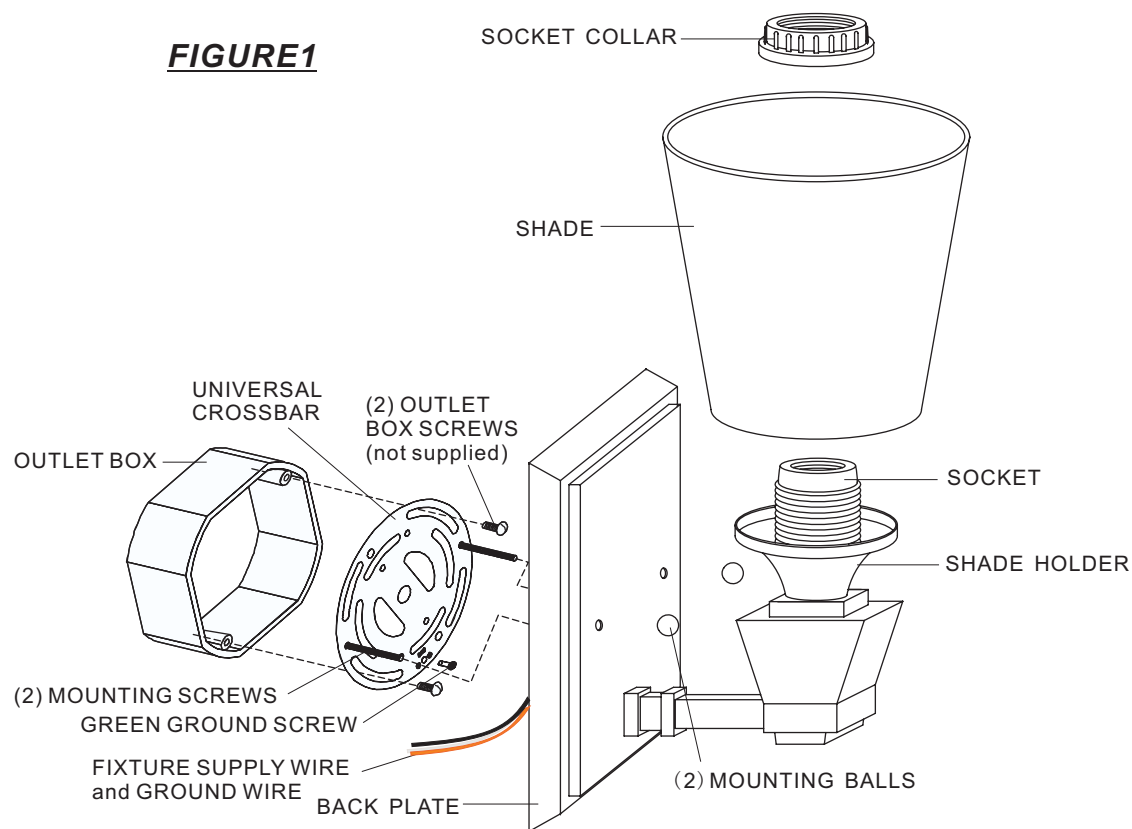


FIGURE 1



INSTALLATION INSTRUCTIONS:

1. Before beginning installation, carefully unpack and identify all parts referring to illustration FIGURE 1.
2. Turn the electrical power to installation point OFF at circuit breaker. Locate the UNIVERSAL CROSSBAR and secure to OUTLET BOX with (2) OUTLET BOX SCREWS (not supplied).
3. **Make the connections:** (Quozel recommends 2 people for this step) Use wire connectors (not supplied) connect the HOUSE GROUND to the FIXTURE GROUND WIRE; attach the HOUSE WHITE WIRE to FIXTURE WHITE (or RIBBED SIDE) SUPPLY WIRE; connect the HOUSE BLACK (or RED) WIRE to the FIXTURE BLACK (or SMOOTH SIDE) WIRE. Wrap each connection with approved electrical tape.
4. Carefully tuck all wires into the WALL MOUNTED OUTLET BOX and position the fixture over the outlet box. Align the HOLES in the BACK PLATE with the (2) MOUNTING SCREWS attached to the UNIVERSAL CROSSBAR. Pass the fixture over the (2) MOUNTING SCREWS and secure against by threading (2) MOUNTING BALLS onto end of screw. Tighten until snug.
5. Locate the SHADE over SOCKET onto the top of SHADE HOLDER. Secure by threading SOCKET COLLAR onto the SOCKET. Hand tighten until snug.
6. Install bulb(s) referring to fixture marking and /or labels for maximum wattage.
7. Restore power to the installation point ON. Retain this sheet for future reference.