

# eurow style

## Assembly Instructions Greg 2F



PLEASE NOTE: Check that you have received all components and hardware before assembling. If you are missing any parts, contact your retailer, or fax Euro Style at 415.455.8033.



A x 2



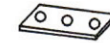
B x 2



C x 1



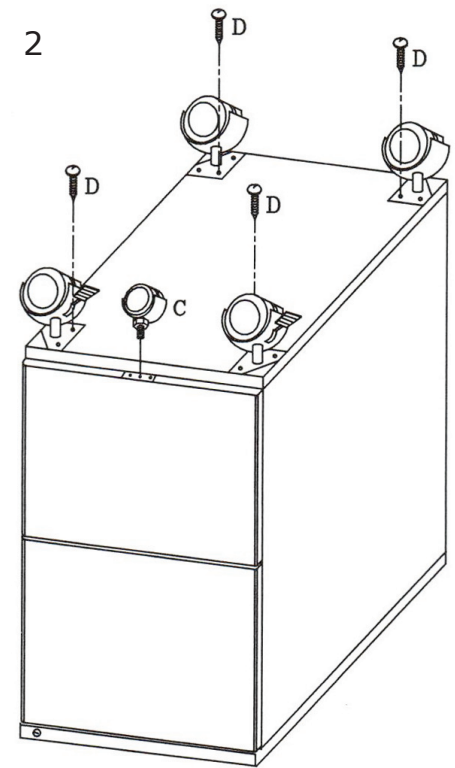
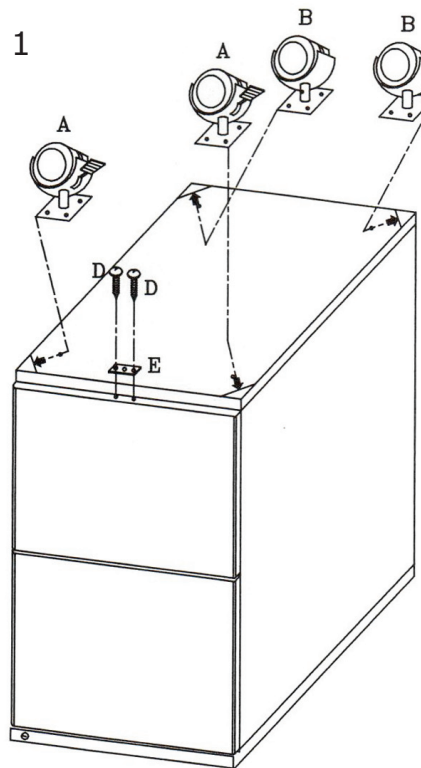
D x 6



E x 1



F x 1



During assembly, hand tighten screws only. When all screws are in place, then tighten completely.