

# euro style

## Assembly Instructions Ballard L Desk

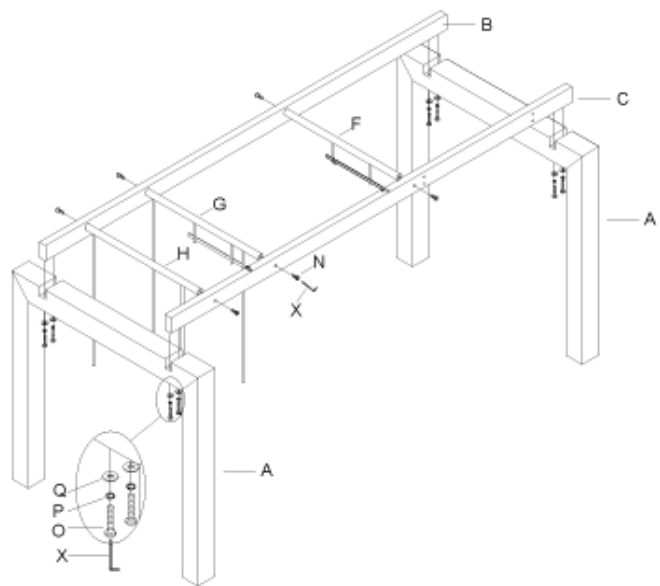


PLEASE NOTE: Check that you have received all components and hardware before assembling. If you are missing any parts, contact your retailer, or fax Euro Style at 415.455.8033.

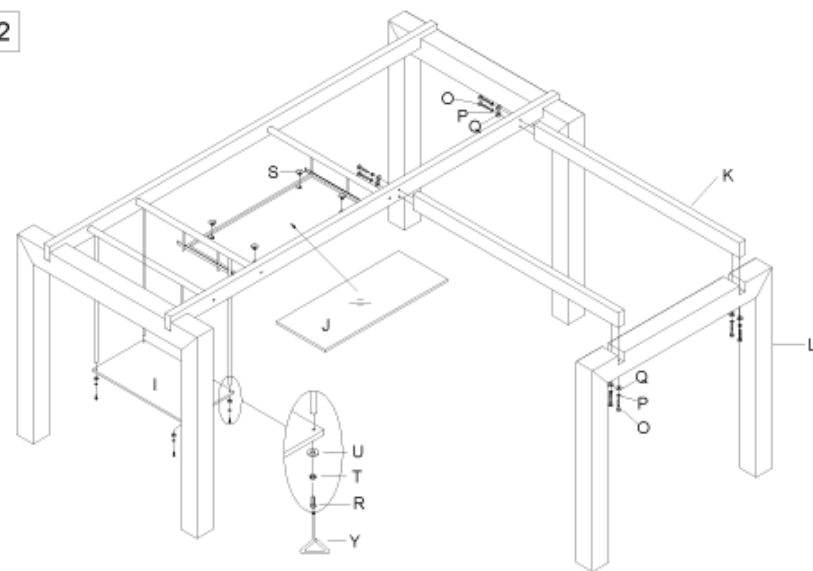
A		2pcs	G		1pc	L		1pc	R	M5*30	4pcs
B		1pc	H		1pc	M		1pc	S		4pcs
C		1pc	I		1pc	N	M6*35	6pcs	T	$\varnothing 8.8$	4pcs
D		1pc	J		1pc	O	5/16*57	16pcs	U	$\varnothing 15$	4pcs
E		1pc	K		2pcs	P	$\varnothing 15$	16pcs	V	M4*10	4pcs
F		1pc				Q	$\varnothing 19$	16pcs	W		10pcs
									X		1pc
									Y		1pc

During assembly, hand tighten screws only. When all screws are in place, then tighten completely.

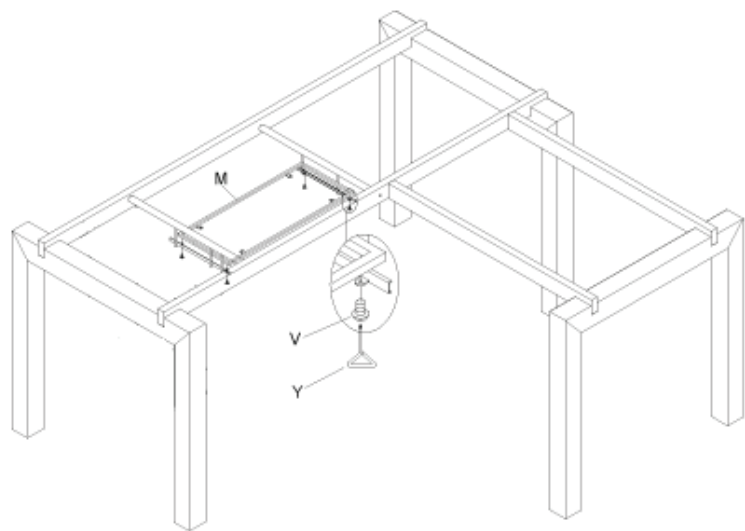
1



2



3



4

