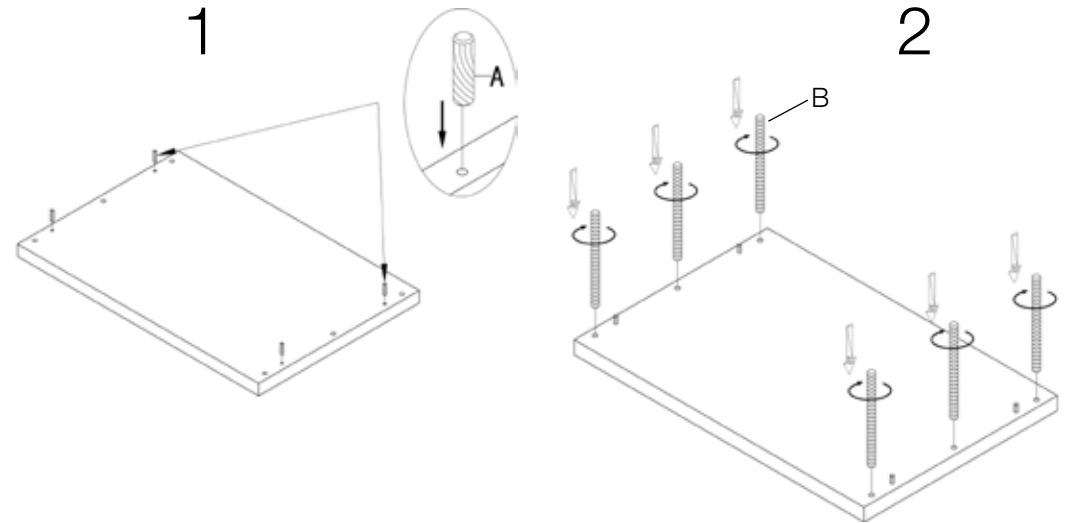



# eurow style

## Assembly Instructions

### ABBY Side Table

PLEASE NOTE: Check that you have received all components and hardware before assembling. If you are missing any parts, contact your retailer, or fax Euro Style at 415.455.8033.




A (4 pcs) 

8 x 30mm

B (6 pcs) 


8 x 472mm

C (6 pcs) 

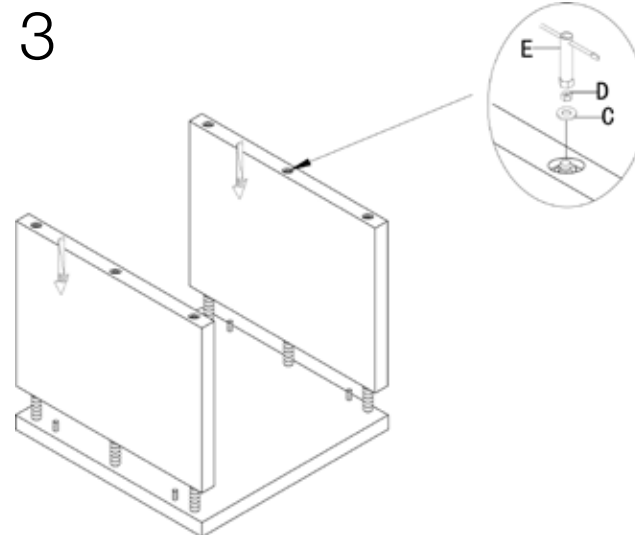
M22 x 1.5mm

D (6 pcs) 

M8mm

E (1 pc) 

M8mm



During assembly, hand tighten screws only. When all screws are in place, then tighten completely.