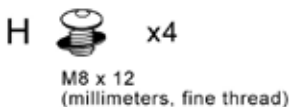
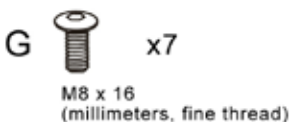
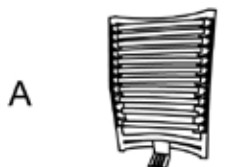


Assembly Instructions

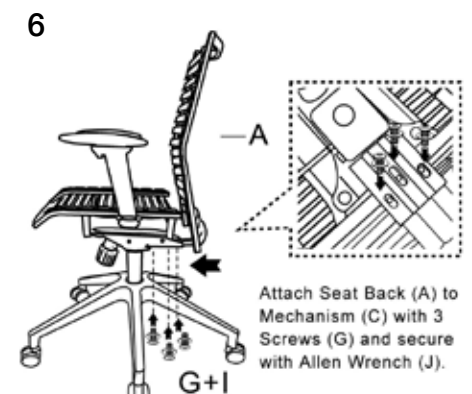
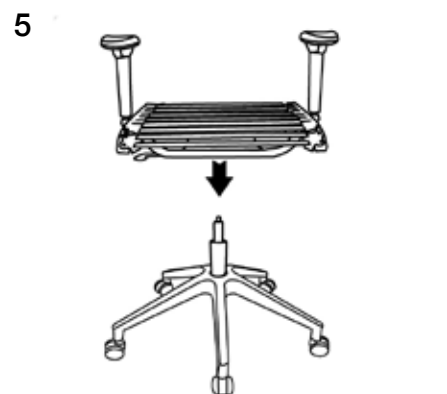
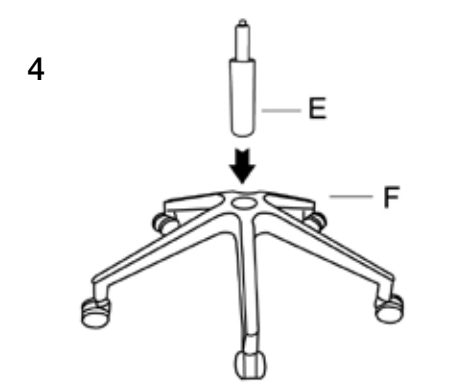
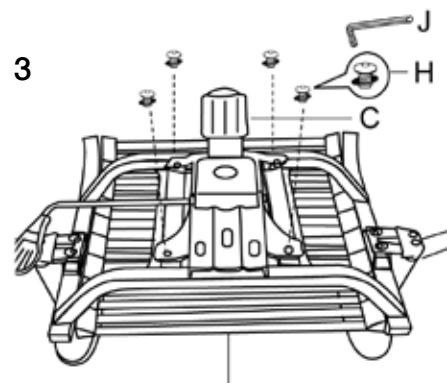
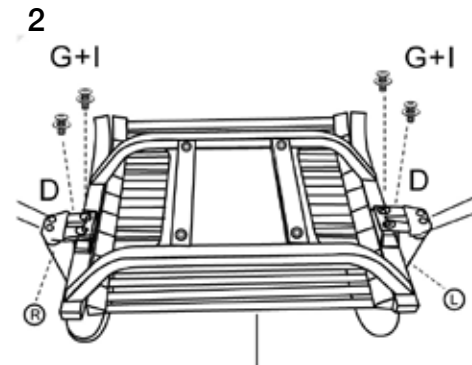
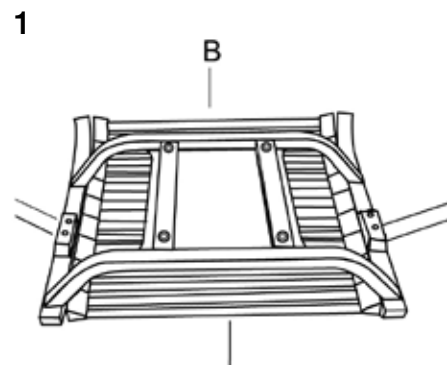
BUNGIE PRO High Back Office Chair

PLEASE NOTE: Check that you have received all components and hardware before assembling. If you are missing any parts, contact your retailer, or fax Euro Style at 415.455.8033.



Please note R and L are marked inside.

Please note parts H are screwed into the underside of part B. Remove screws and washers from frame and then use to attach part C as shown in Step 3.



Attach Seat Back (A) to Mechanism (C) with 3 Screws (G) and secure with Allen Wrench (J).

During assembly, hand tighten screws only. When all screws are in place, then tighten completely.