



Assembly Instructions SIMON Media Stand

PLEASE NOTE: Check that you have received all components and hardware before assembling. If you are missing any parts fax Euro Style at 415.455.8033 or email: claims@gotoeurostyle.com



Ø1/4" X 7/8"



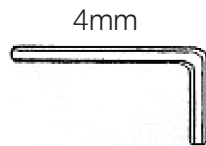
A (8 pcs)



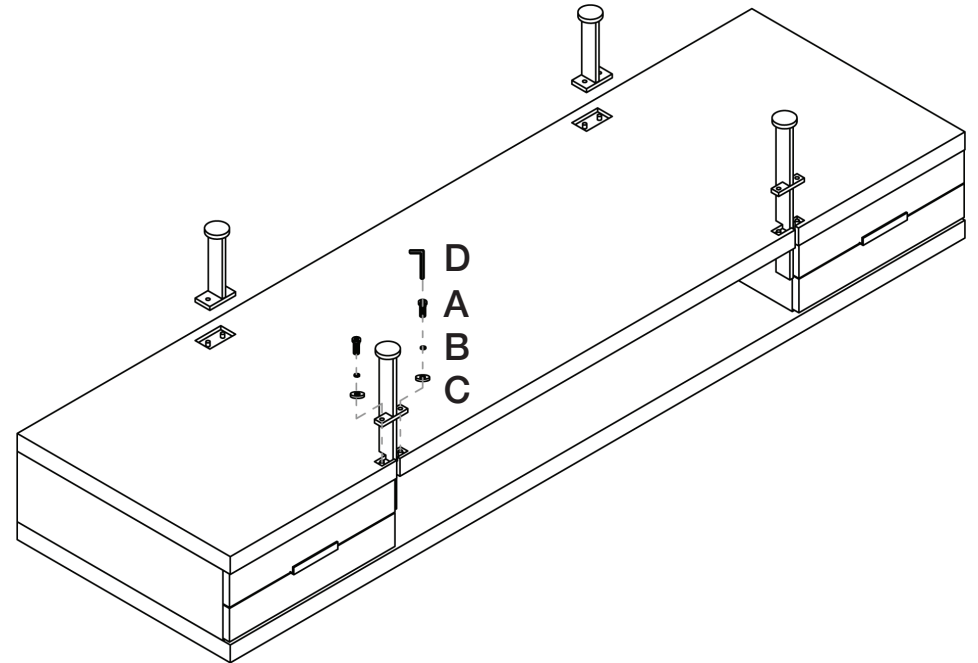
B (8 pcs)



C (8 pcs)



D (1 pcs)



During assembly, hand tighten screws only. When all screws are in place, then tighten completely.