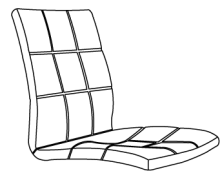


eurowstyle™

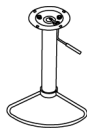
Assembly Instructions

Cyd Adjustable Bar/Counter

PLEASE NOTE: Check that you have received all components and hardware before assembling. If you are missing any parts, contact your retailer, or fax Euro Style at 415.455.8033.



A



B



C



D



E



F



G



H

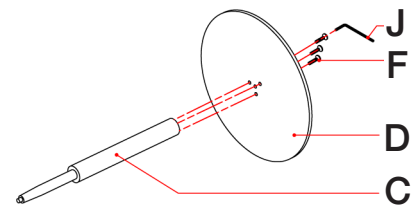


I

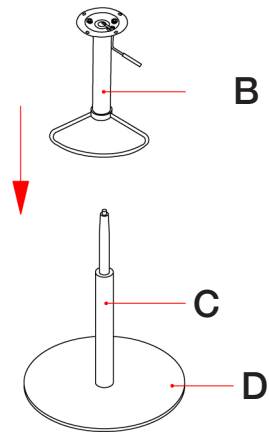


J

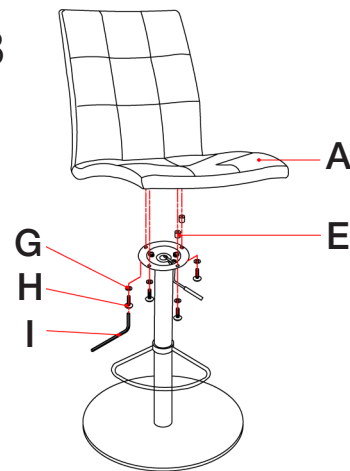
1



2



3



4



During assembly, hand tighten screws only. When all screws are in place, then tighten completely.