

eurowstyle™

Assembly Instructions

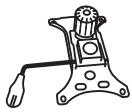
Bungie Flat High Back Office Chair



A x 1



B x 1



C x 1



D x 1



E x 1



F x 1



G x 2



H x 4

Please note, parts H are screwed into the underside of part B. Remove screws and washers from frame and then use to attach part C as shown in Step 1.



I x 2



J x 4



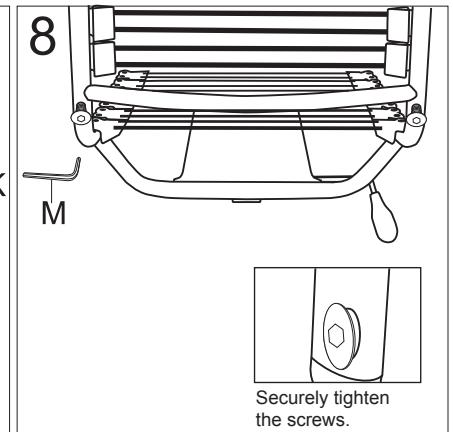
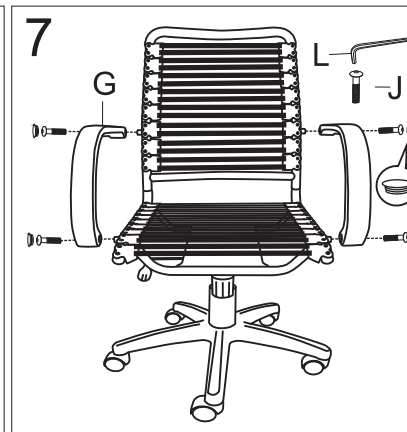
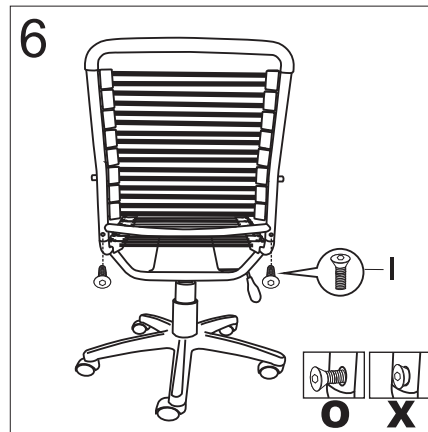
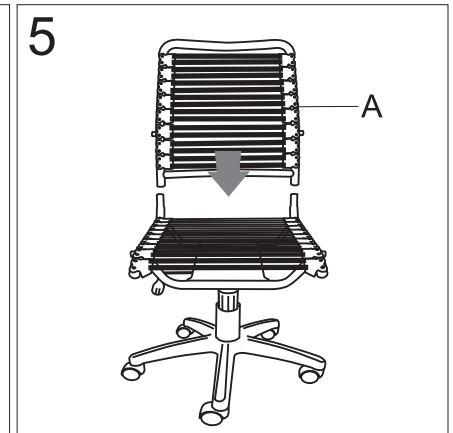
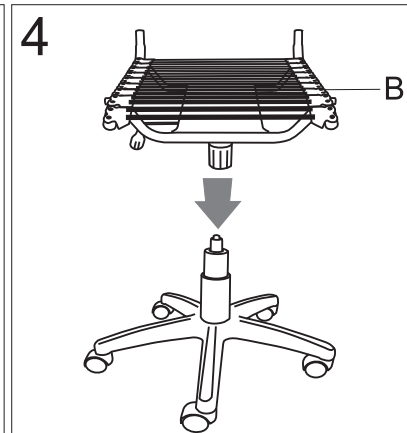
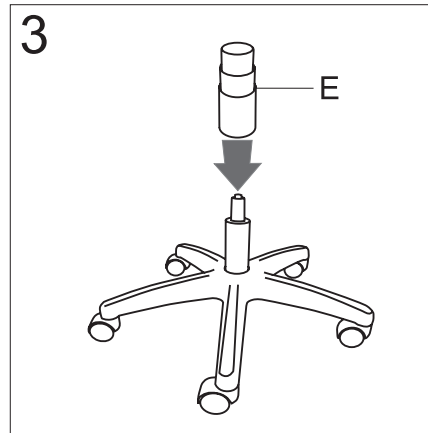
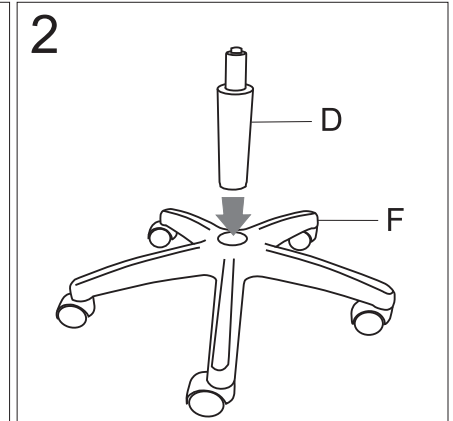
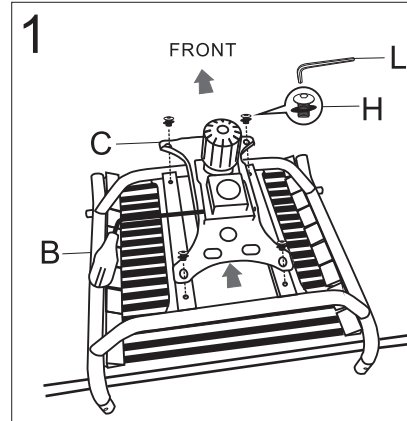
K x 4



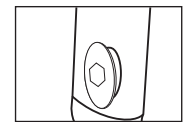
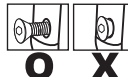
L x 1



M x 1



PLEASE NOTE: Check that you have received all components and hardware before assembling. If you are missing any parts, contact your retailer, or fax Euro Style at 415.455.8033 or email parts@gotoeurostyle.com.



Securely tighten the screws.