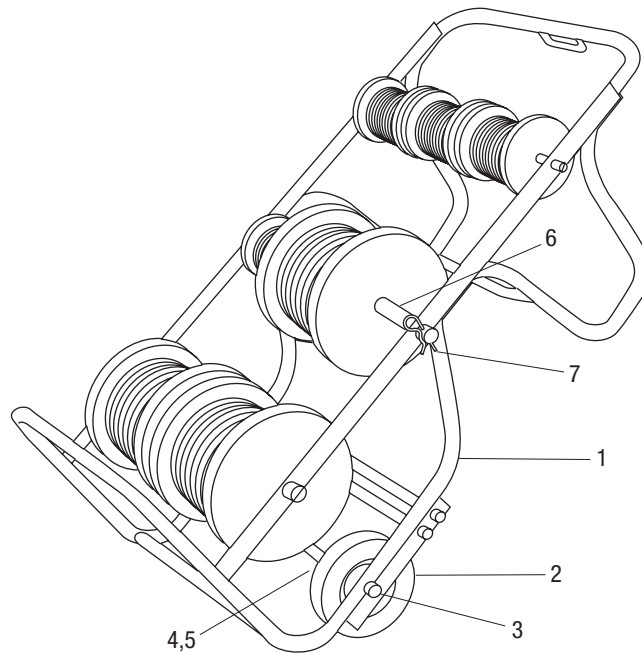


PARTS LIST



911 Wire Cart

For the best stability, dispense wire with wire cart in a horizontal position.

| Key | Part No. | Description | Qty |
|-----|----------|--|-----|
| 1 | | Frame | 1 |
| 2 | 90553276 | Wheel | 2 |
| 3 | 50315277 | Axle | 1 |
| 4 | | Cotterpin, 1/8" x 1-1/4" | 2 |
| 5 | 90517407 | Washer (place washer between cotterpin and wheel on axle) | 2 |
| 6 | 50315234 | Reel Shaft | 5 |
| 7 | 90503031 | No. 7 Clip | 10 |



| | | |
|---------------|-----------------|----------------------|
| USA | 800-435-0786 | Fax: 800-451-2632 |
| | 815-397-7070 | Fax: 815-397-1865 |
| Canada | 800-435-0786 | Fax: 800-524-2853 |
| International | +1-815-397-7070 | Fax: +1-815-397-9247 |

4455 Boeing Drive • Rockford, IL 61109-2988 • USA • 815-397-7070
An ISO 9001 Company • Greenlee Textron Inc. is a subsidiary of Textron Inc.

www.greenlee.com

Printed in USA