

**Model: CB4090**

### Drain Installation Guide For Sinks with overflow above counter

#### Step 1

- Position countertop opening to ensure clearance between the lavatory, faucet, and backsplash
- Cut counter top opening
- Cut-out max: 14-1/4" Diameter
- Set sink and seal with silicone or caulking

#### Step 2

##### See Figure 1.

Place a generous portion of plumbers' putty under drain cap and insert whole drain body inside the bowl and through the countertop.

\*There may be a small beveled rubber washer packaged with your drain, please discard this and use plumbers' putty instead.

#### Step 3

##### See Figure 2.

From under the drain, insert the thick rubber washer and screw on and tighten the metal nut. Remove excess plumbers' putty.

#### Step 4

Attach p-trap to tailpiece.

1

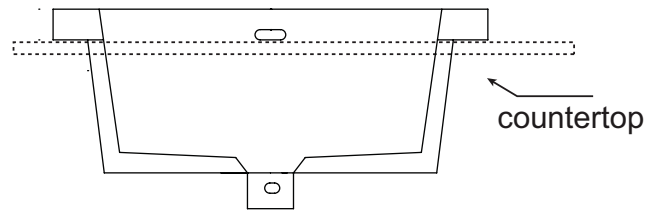
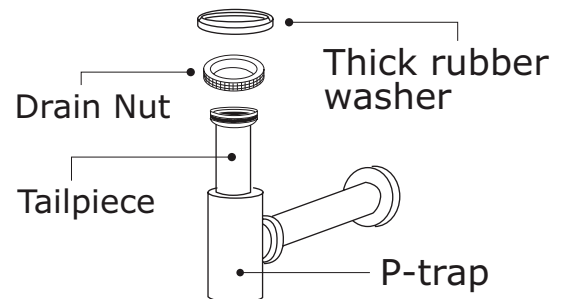
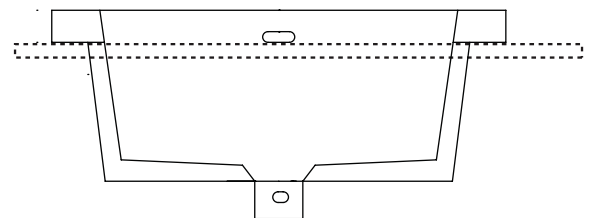
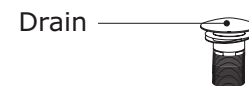


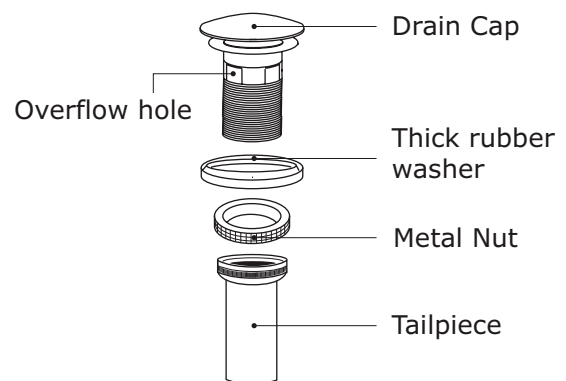
Figure 1.



2

3

Figure 2. (DRAIN Model: D8002)



4