

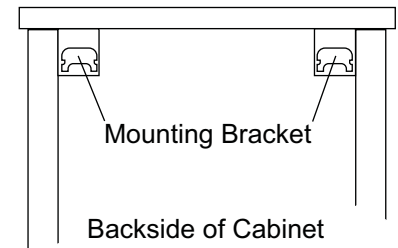
VBR2634**Wallmount Cabinet Installation Guide****Step 1**

Measure distance between two mounting brackets and transfer measurement to mounting location.

See Figure 1.

1

Figure 1.

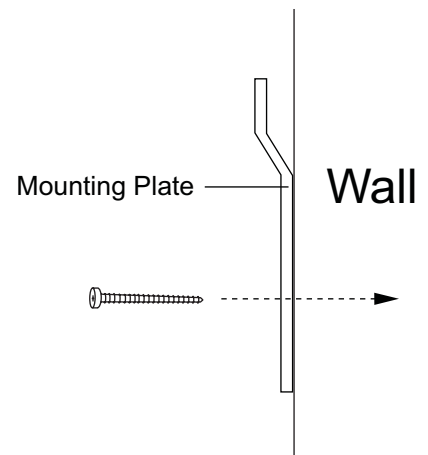
**Step 2**

Install mounting plates (2) to the wall with provided hardware.
Use proper hollow wall anchors if necessary. (Not provided)

See Figure 2.

2

Figure 2.

**Step 3**

Install cabinet to wall. Insuring mounting brackets catch mounting plates.

See Figure 3.

3

Figure 3.

