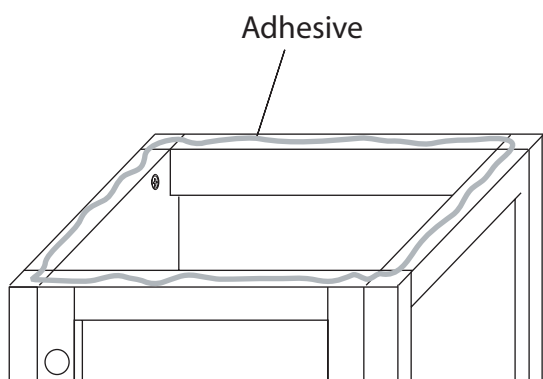


To Install Wood top:

Series: CVE, CNC, CTR, CBR, & CTW

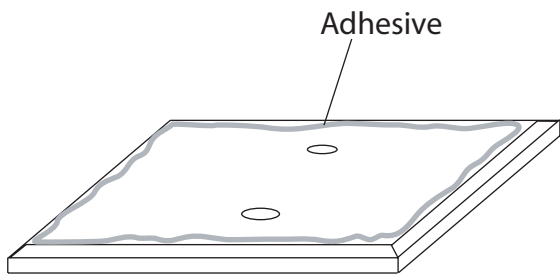
Step 1:

Apply adhesive to top of cabinet.



Step 2:

Turn countertop top-side down, apply adhesive to bottom of wood top.



Step 3:

Turn countertop top-side up, align top with cabinet and set top down onto cabinet allow adhesive to dry.

