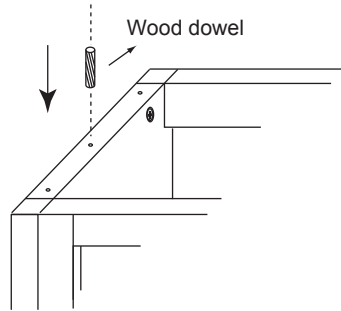


### To Install Linen Tower:

Model: VT1965, VTB1965 and VTG1965

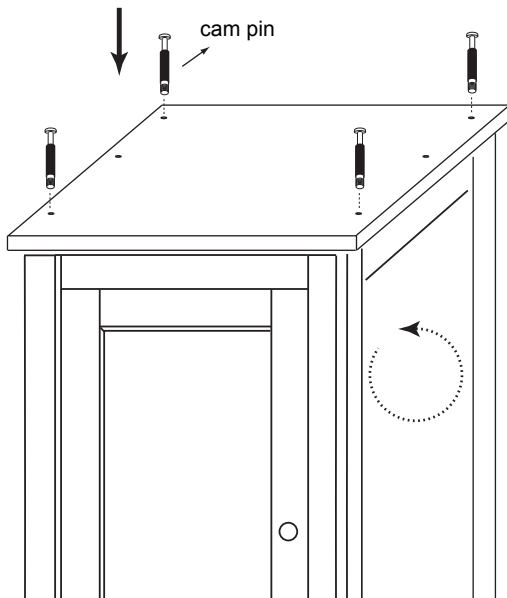
#### Step 1:

Insert wood dowels into holes on top of cabinet frame.



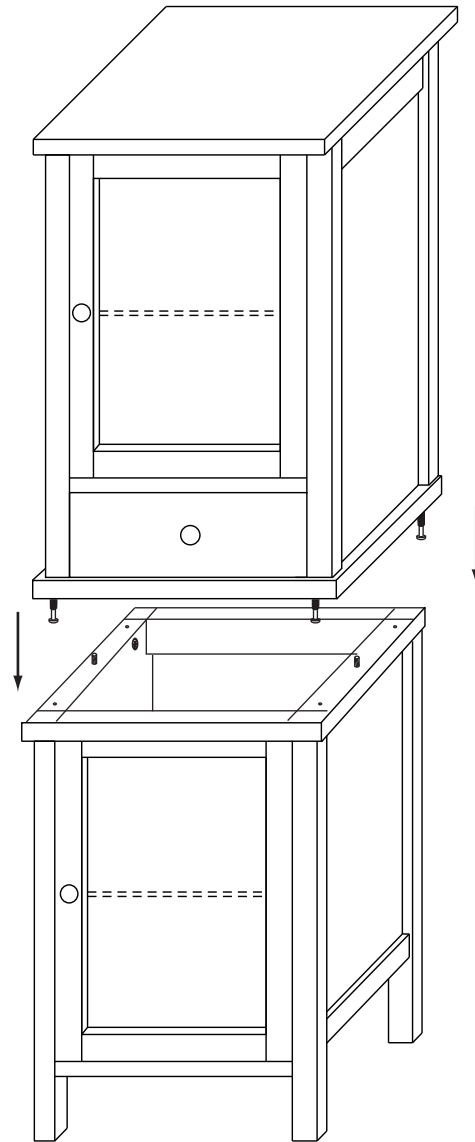
#### Step 2:

Turn top hutch upside down and screw in cam pins in screw holes.



#### Step 3:

Turn top hutch right side up, align pins and dowels and set top down into cabinet.



#### Step 4:

Open the door and using screwdriver, turn cam-lock clockwise until tight.

