

Model: CB3028

Drain Installation Guide

For Sinks with overflow above counter

Step 1

Position countertop opening to ensure clearance between the lavatory, faucet and backsplash.

Cut 21" w x 17" h (max) opening in countertop

Position and set sink and seal with silicone adhesives or caulking

See Figure 1.

Step 2

Place a generous portion of plumbers' putty under drain cap and insert whole drain body inside the bowl and through the countertop.

*There may be a small beveled rubber washer packaged with your drain, please discard this and use plumbers' putty instead.

See Figure 2.

Step 3

From under the drain, insert the thick rubber washer and screw on and tighten the metal nut. Remove excess plumbers' putty.

See Figure 3

Step 4

Attach p-trap to tailpiece.

Figure 1.

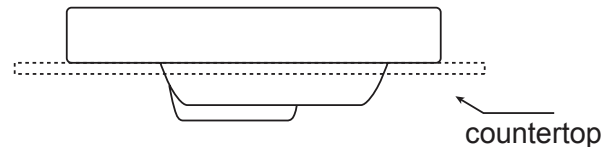


Figure 2.

DRAIN Model: D8002

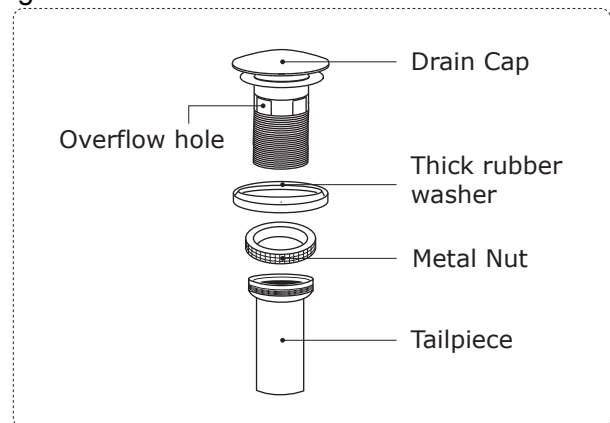


Figure 3

