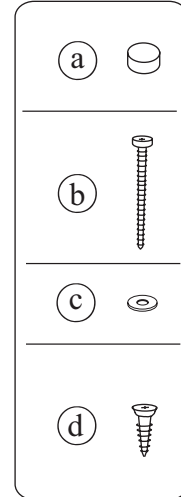
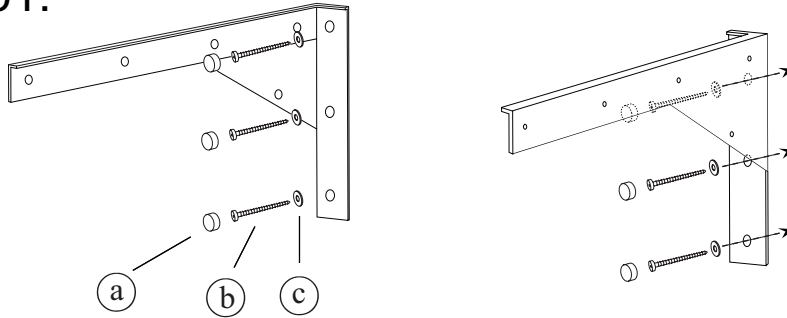


Wall Mounts

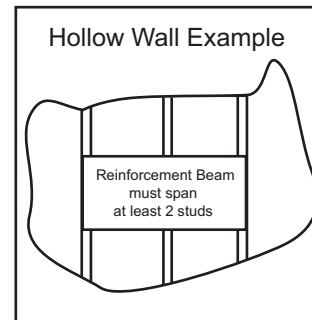
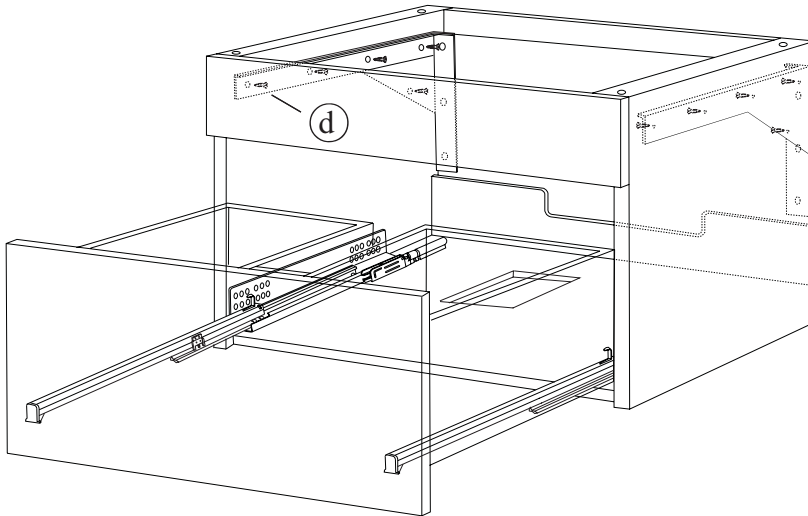
Model: VRE1008, VRE1817, VRE2319, VRE3119, VRE3619

Step1.



Step2.

Attach the cabinet to the wall bracket.



Note:

When installing cabinet onto a hollow wall, the use of a horizontal reinforcement beam such as a 2" x 8" or 2" x 10" spanning at least two vertical studs is required.

Cabinets that are installed onto a hollow wall without a reinforcement beam will void the manufacturer warranty.

(U.S. Customers) Please disregard Plastic Anchors in hardware kit.