

Mounting ring and Drain Installation Guide
For Glass Sinks Above Counter

Step 1

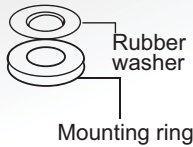
Position and drill a 1-3/4" hole for the drain on the countertop.

Step 2

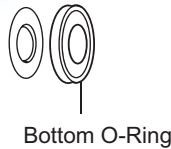
Place mounting ring under the sink as shown on the right.

Mounting Ring Detail

Horizontal view



Vertical view



Step 3

Drain assembly picture

Place a generous portion of plumbers' putty under drain cap and insert whole drain body inside the bowl and through the countertop.

*There may be a small beveled rubber washer packaged with your drain, please discard this and use plumbers' putty instead.

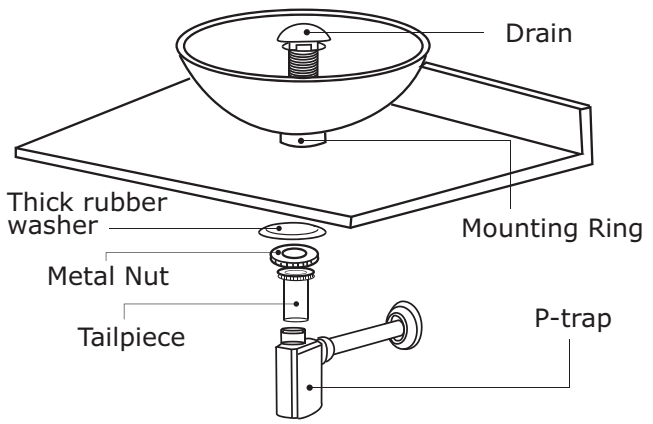
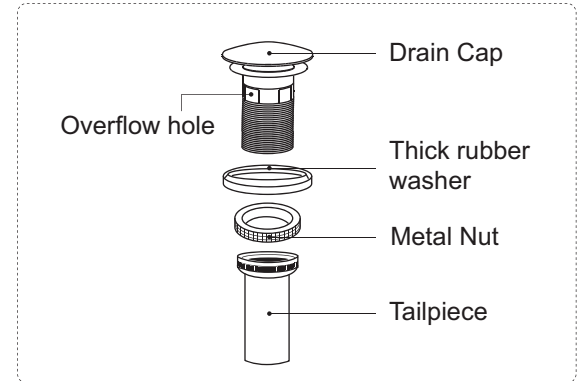
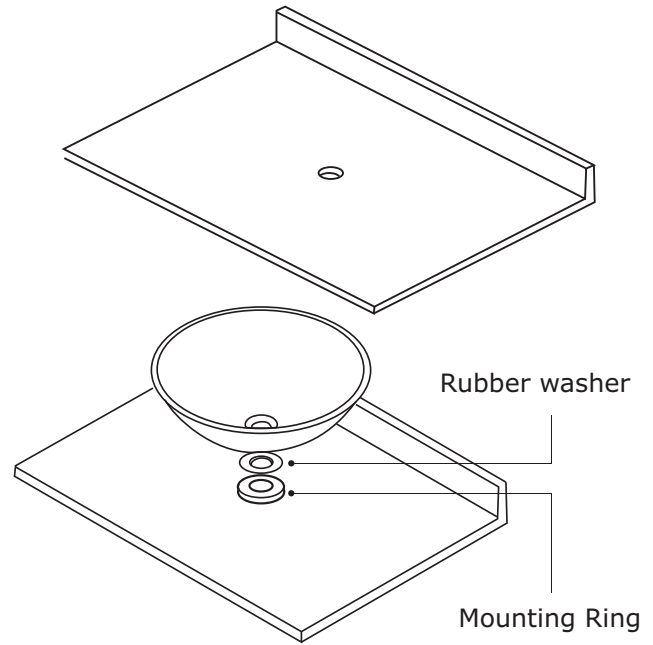
Step 4

From under the drain, insert the thick rubber washer and screw on and tighten the metal nut. Remove excess plumbers' putty.

Step 5

Attach p-trap to tailpiece.

1
2
3
4
5



Note: **DO NOT USE** any adhesives with silicone. Silicone will bond to the decorative finish and cause permanent damage.