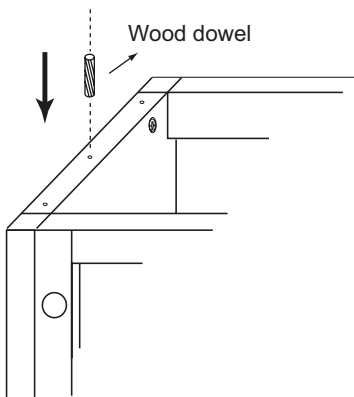


### To Install Wood top:

Series: CCT, CYK, CSH, & COR

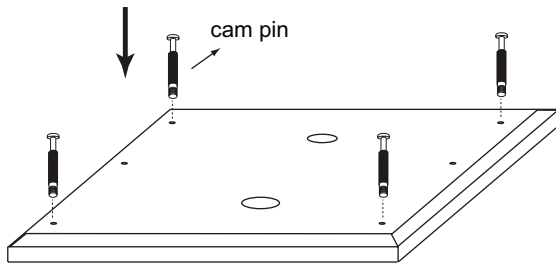
#### Step 1:

Insert wood dowels into holes on top of cabinet frame.



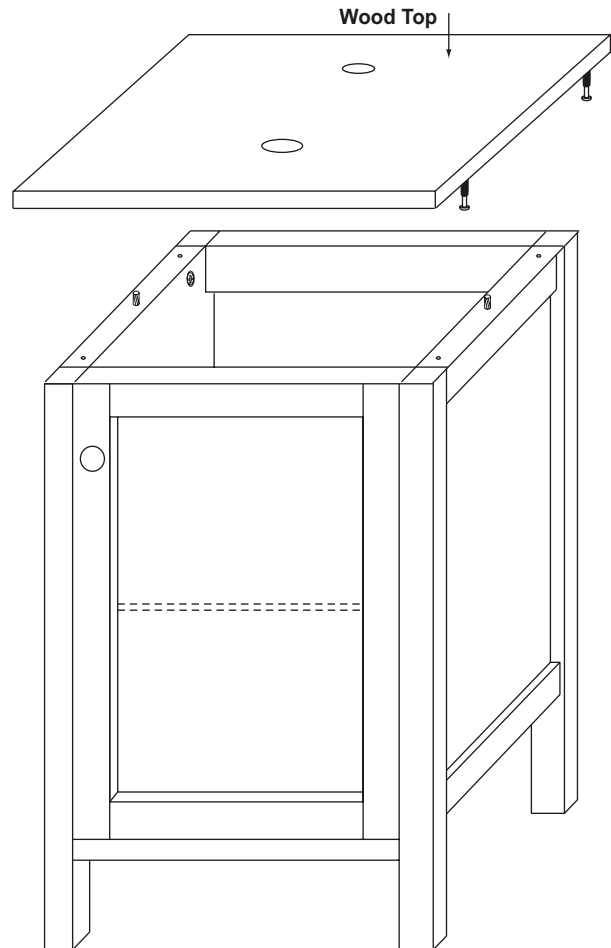
#### Step 2:

Turn countertop top-side down and screw in cam pins in screw holes.



#### Step 3:

Turn countertop top-side up, align pins and dowels and set top down into cabinet.



#### Step 4:

Using screwdriver, turn cam-lock clockwise until tight.

