

Model: CB6001 & 6002 & CB6003

Vanity Top & Drain Installation Guide

For sinks with overflow above counter

Step 1

Place adhesive around top of cabinet

1

Step 2

Position and set vanity top on cabinet

See Figure 1.

2

Step 3

Place a generous portion of plumbers' putty under drain cap and insert whole drain body inside the bowl and through the countertop.

*There may be a small beveled rubber washer packaged with your drain, please discard this and use plumbers' putty instead.

See Figure 2.

3

Step 4

From under the drain, insert the thick rubber washer and screw on and tighten the metal nut. Remove excess plumbers' putty.

See Figure 3.

4

Step 5

Attach p-trap to tailpiece.

5

Figure 1.

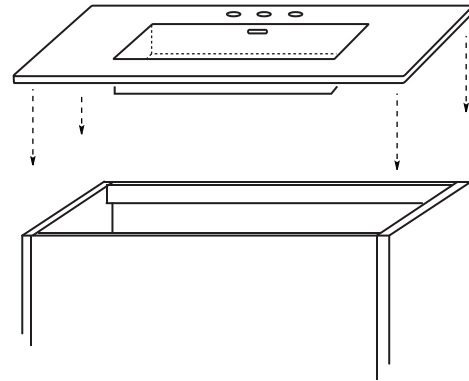


Figure 2.

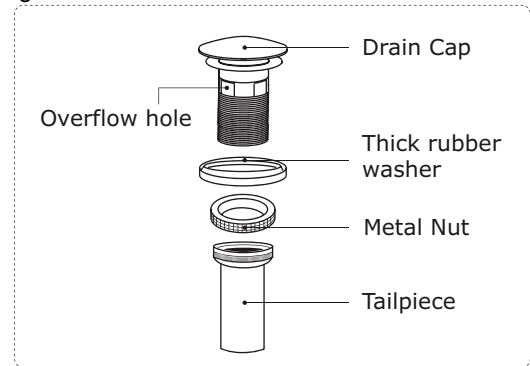


Figure 3.

