

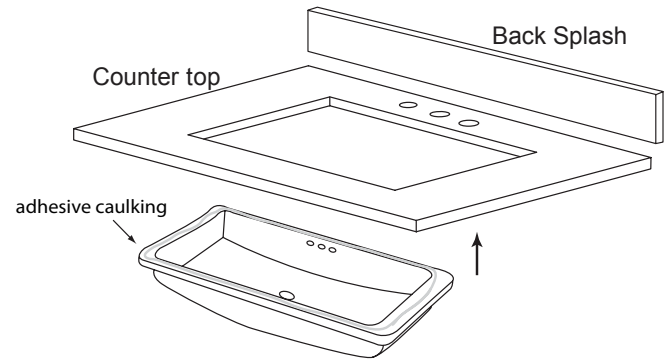
Model: 200520  
200521

Under Counter Sinks

**Step 1 :** Apply adhesive caulking around the topside of rim near the edge, Carefully raise sink in place, align, and press firmly

**See Figure 1.**

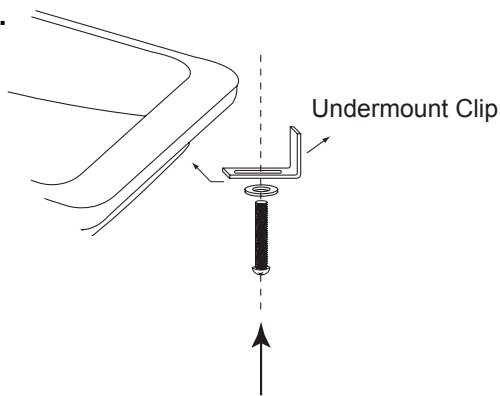
**Figure 1.**



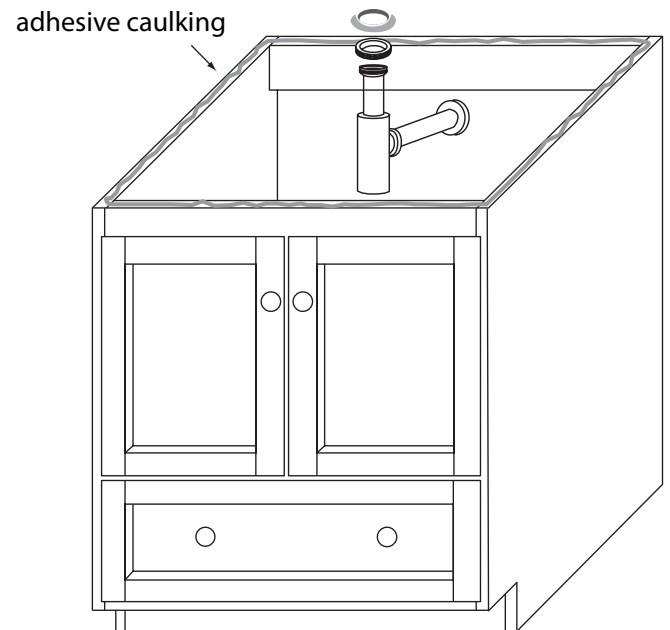
**Step 2 :** Attach 4 undermount-clips to hold lavatory in place

**See Figure 2.**

**Figure 2.**



**Figure 3.**



**Step 3 :** Secure top & back splash to cabinet by using adhesive caulk

**See Figure 3.**