




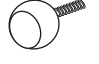



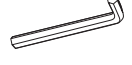
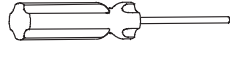
# Artist Easel with Paper Roll

## Assembly Instructions

Item # 62028

To order replacement parts, please visit [www.kidkraft.com](http://www.kidkraft.com)

Please retain this information for future reference

HARDWARE	Parts List:	Step 1	Step 2				
<p><b>A. Bolt x 4</b>  (11/16 in, 18mm)</p> <p><b>B. Bolt x 2</b>  (1 1/16 in, 27mm)</p> <p><b>C. Screw x 8</b>  (5/8 in, 15mm)</p> <p><b>D. Yellow Knob x 4</b> </p> <p><b>E. Blue Knob x 2</b> </p> <p><b>F. Red Knob x 8</b> </p> <p><b>G. Green Knob x 2</b> </p> <p>Allen Wrench x 1 </p> <p>The following tool (not included) is required for assembly: </p> <p>Phillips® screwdriver</p>	<p><b>Parts List:</b></p>	<p><b>Step 1</b></p>	<p><b>Step 2</b></p>			<p><b>Step 3</b></p> <p>(Repeat Steps 1-3)</p>	<p><b>Step 4</b></p>
		<p><b>Step 3</b></p> <p>(Repeat Steps 1-3)</p>	<p><b>Step 4</b></p>				

**CAUTION:** Adult Assembly Required. Hardware contains small screws with sharp points. Keep unassembled parts out of reach of small children.

**WARNING: CHOKING HAZARD**  
Unassembled parts may be a choking hazard to children 3 years of age and younger.

**USE AND MAINTENANCE:**  
-Use on level surfaces only  
-Please check assembly at regular intervals, and frequently tighten hardware if necessary. If maintenance is not carried out, the product could cease to function properly.

**Attention:** The easel's dry-erase surface should be cleaned BY AN ADULT with a Windex®-like cleaner after each use. This is the best way to wipe the surface completely clean.

**Customer Service**  
1-800-933-0771  
[www.kidkraft.com](http://www.kidkraft.com)

# Artist Easel with Paper Roll

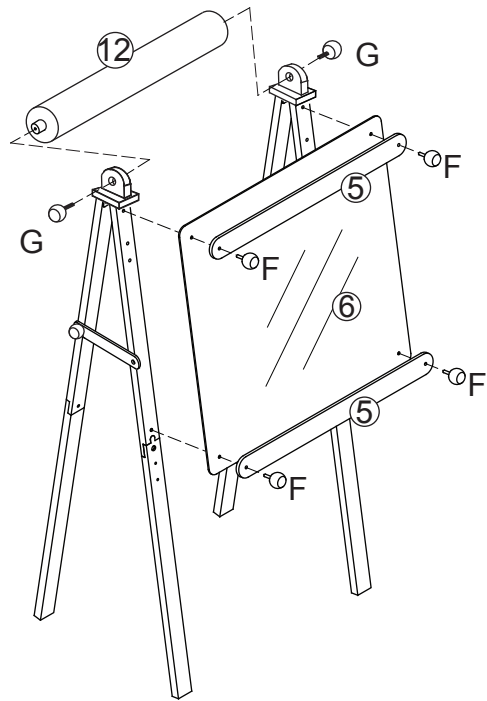
## Assembly Instructions

Item # 62028

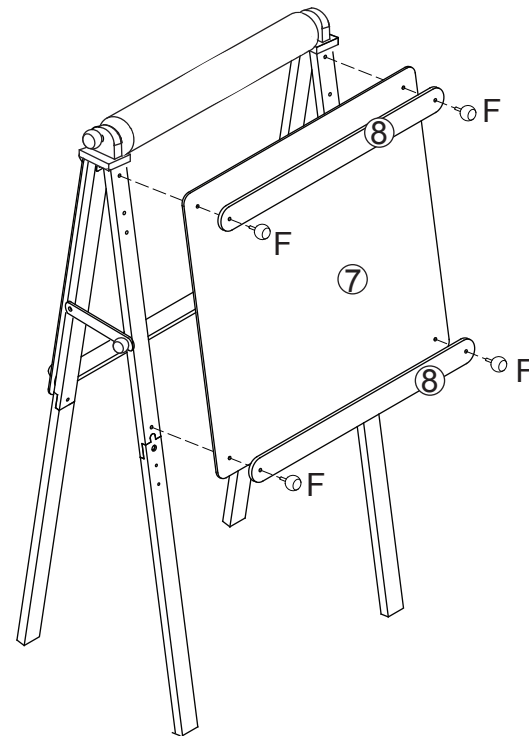
Please retain this information for future reference

To order replacement parts, please visit [www.kidkraft.com](http://www.kidkraft.com)

### Step 5

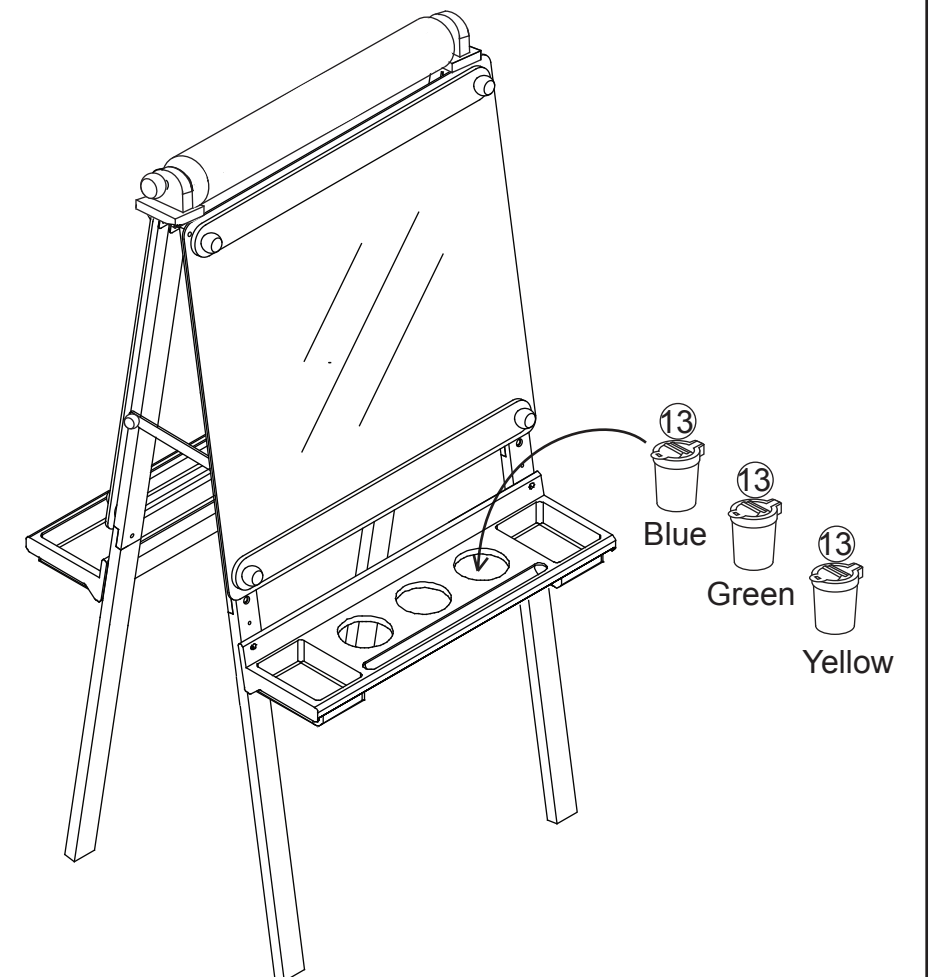


### Step 6

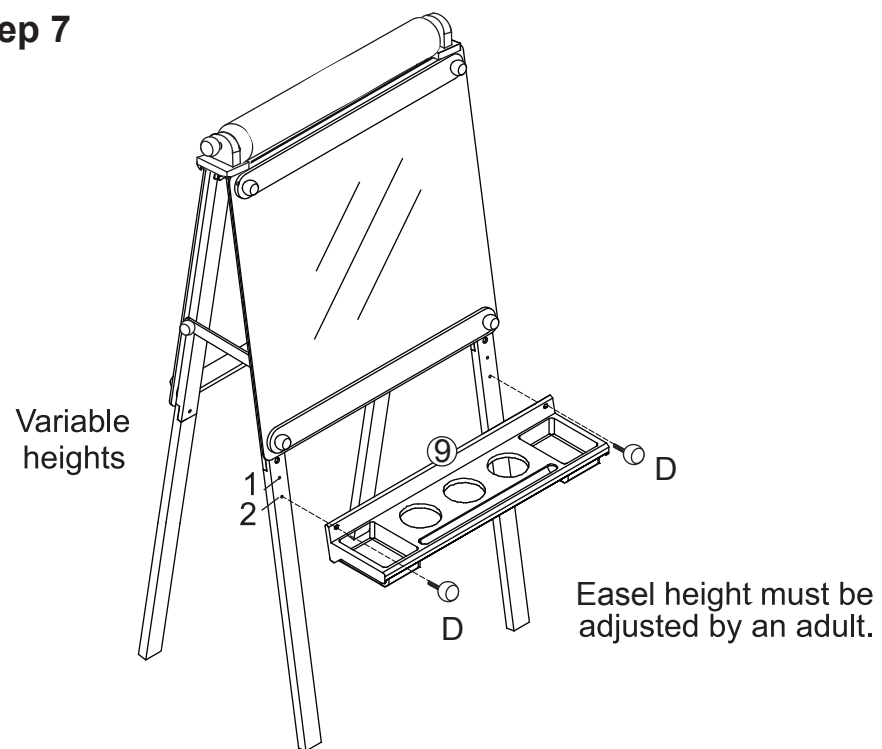


### Complete

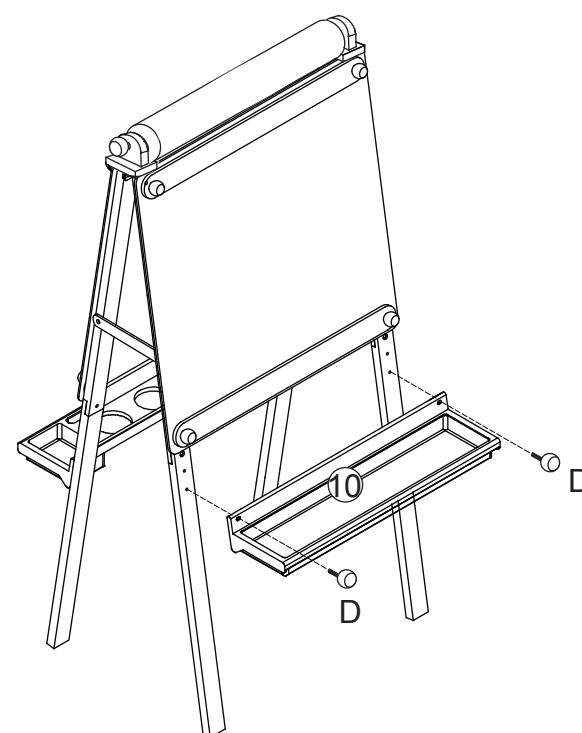
\*Use 2 wood strips in front of easel to hold paper tight when drawing or painting. The knobs included may be used BY AN ADULT to loosen or tighten the wood strips.



### Step 7



### Step 8



**Attention:** This easel's chalkboard surface must be prepared BY AN ADULT before use. Hold a piece of chalk horizontally and rub the entire surface of the chalkboard. Once you have completely covered the surface, use a chalkboard eraser and wipe the surface clean. You only need to do this one time.

Before calling customer service, please locate the batch code number (example: 2693/65006/04) found on the bottom or back of your product.

**Attention:** The easel's dry-erase surface should be cleaned BY AN ADULT with a Windex®-like cleaner after each use. This is the best way to wipe the surface completely clean.

**Customer Service**  
1-800-933-0771  
[www.kidkraft.com](http://www.kidkraft.com)



### Experiencing problems with your new KidKraft product?

Before getting frustrated and returning your product to the store or Internet retailer, please give us a chance to solve all your problems. Call our office in **Dallas, TX** at **1-800-933-0771**. Our sales support team is available from **8:30 a.m. to 5 p.m.** Central Time Zone every **Monday through Friday**, and we want nothing more than for our customers to be satisfied. If you have a question and it isn't our normal business hours, just leave a message and we will call you back as soon as possible. Don't want to talk to someone? Information on replacement parts can be found at [www.kidkraft.com](http://www.kidkraft.com).

- Are our assembly instructions confusing? Are you stuck on a step?

**Please, let us help!**

- Are you missing a part? Do you need us to send a replacement part?

**Please, let us help!**

- Did a part arrive broken? Do you need us to send a replacement?

**Please, let us help!**

- Does the item you received differ in any way from what was ordered?

**Please, let us help!**

At KidKraft, customer satisfaction is our top priority. Thank you for your business.

David Barr  
Executive Vice President

KidKraft  
4630 Olin Road  
Dallas Texas 75244  
[www.kidkraft.com](http://www.kidkraft.com)

Before calling customer service, please locate the batch code number (example: 2693/65006/04) found on the bottom or back of your product.

Tel: 972.385.0100  
Toll Free: 1.800.933.0771  
Fax: 972.385.0277  
Toll Free: 1.877.933.0771

**Warning: This is intended for children of a specific age or above. Keep children younger than the specified age from using this item. Do not let children of any age climb on or around this item. Adult supervision is always recommended.**

### IMPORTANT INFORMATION - PLEASE READ FIRST

ALL OF OUR WOODEN ITEMS ARE HANDCRAFTED, HAND ASSEMBLED, AND HAND PAINTED. EACH ONE IS UNIQUE. SLIGHT IMPERFECTIONS MAY OCCUR AND ARE NOT MANUFACTURING DEFECTS.

PLEASE NOTE THAT WE DO NOT WARRANTY AGAINST THE USE OF PERMANENT MARKERS, NON-WATER-BASED PAINTS, CRAYONS, OR WASHABLE MARKERS. SOME OF THESE ITEMS CONTAIN PERMANENT COLOR DYES THAT COULD DAMAGE THE SURFACE.

### CLEANING INSTRUCTIONS

CLEAN THE SURFACE USING A SLIGHTLY DAMP CLOTH AND MILD DISH WASHING LIQUID IF NECESSARY. DO NOT USE ANY CLEANING PRODUCT CONTAINING ALCOHOL OR AMMONIA. THESE WILL DULL THE SHINY SURFACE OF THE PRODUCT. FURNITURE POLISH WILL ALSO WORK TO CLEAN AND DUST OFF THE SURFACE.

WE RECOMMEND THAT YOU TEST ALL CLEANING MATERIALS ON THE UNDERSIDE OF ANY SURFACE THAT WOULD NOT BE SEEN DURING NORMAL USE OF THE PRODUCT. IF YOU HAVE QUESTIONS REGARDING THE MAINTENANCE OF THIS PRODUCT PLEASE FEEL FREE TO CALL US.

### SOLE AND LIMITED WARRANTY

THIS PRODUCT IS WARRANTED SOLELY AGAINST MANUFACTURING DEFECTS FOR A PERIOD OF 90 DAYS FROM THE DATE OF PURCHASE, WHICH RUNS ONLY TO THE ORIGINAL USER OF THE PRODUCT. IN THE EVENT OF A MANUFACTURING DEFECT, PARTS WILL BE REPLACED OR THE ENTIRE PRODUCT WILL BE REPLACED OR THE PURCHASE PRICE WILL BE REFUNDED, AT THE ELECTION OF THE MANUFACTURER. TO ACTIVATE AND PROTECT THIS WARRANTY, PRESERVE EVIDENCE OF ORIGINAL PURCHASE AND CAREFULLY INSPECT THE CONDITION OF THE PRODUCT PRIOR TO AND AFTER ASSEMBLY, LOOKING FOR MISSING, DEGRADED, BROKEN, IMPROPERLY SIZED OR HAZARDOUS PARTS, INCLUDING PARTS WHICH CAN BE SWALLOWED BY A CHILD, CAUSE A CHILD TO CHOKe, OR OTHERWISE CAUSE INJURY. SUCH PARTS MAY INCLUDE LOOSE SCREWS, EXPOSED NAILS OR SHARP EDGES. SHOULD YOU OBSERVE ANY DEFECTS, DO NOT USE THE PRODUCT AND IMMEDIATELY NOTIFY THE MANUFACTURER. FAILURE TO DO SO SHALL CONSTITUTE MISUSE. MISUSE, IMPROPER ASSEMBLY, FAILURE TO HONOR A WARNING, FAILURE TO SUPERVISE, INSPECT OR MAINTAIN THE PRODUCT, OR DAMAGE TO THE PRODUCT, WHETHER INTENTIONAL OR INADVERTENT, SHALL INVALIDATE THIS WARRANTY. THIS WARRANTY GIVES YOU SPECIFIC LEGAL RIGHTS, AND YOU MAY ALSO HAVE OTHER RIGHTS WHICH VARY FROM STATE TO STATE.

TO SUBMIT A WARRANTY CLAIM PLEASE CONTACT KIDKRAFT CUSTOMER SERVICE AT 1-800-933-0771 FOR INSTRUCTIONS ON HOW TO PROVIDE PROOF OF PURCHASE AND HOW TO RETURN THE ITEM FREIGHT PRE-PAID.

**CUSTOMER SERVICE 1-800-933-0771**

**[www.kidkraft.com](http://www.kidkraft.com)**