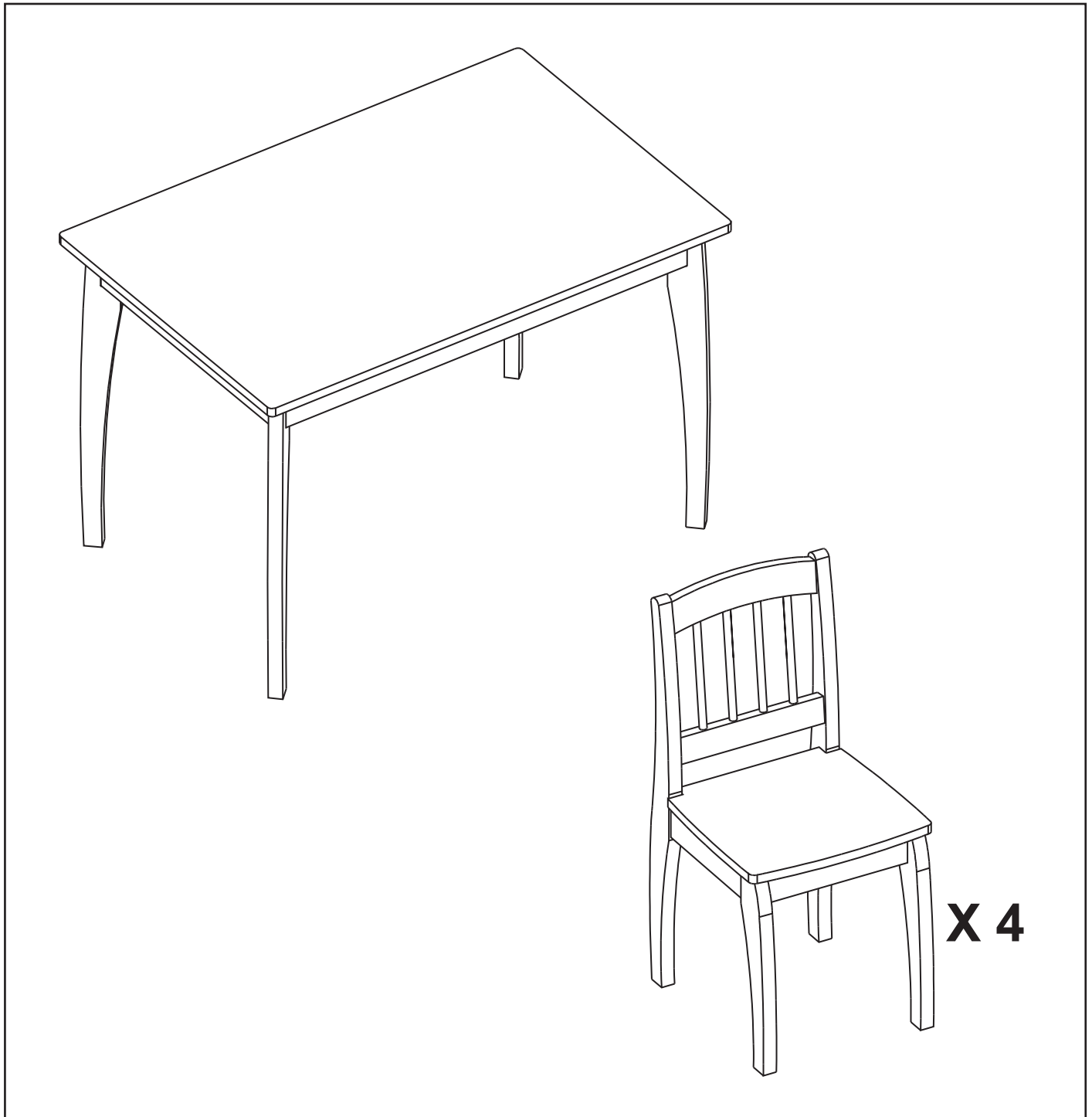




# Solid Wood Honey Table With 4 Primary Chairs

## Assembly Instructions

Item #26175



**CAUTION:** Adult assembly required.  
Hardware contains small screws with sharp points. Keep unassembled parts out of the reach of small children.



**WARNING: CHOKING HAZARD**  
Unassembled parts may be a choking hazard to children 3 years and younger.

### USE AND MAINTENANCE:

- Use on level surfaces only
- Please check assembly at regular intervals, and periodically tighten hardware if necessary. If maintenance is not carried out the product could overturn or fall.

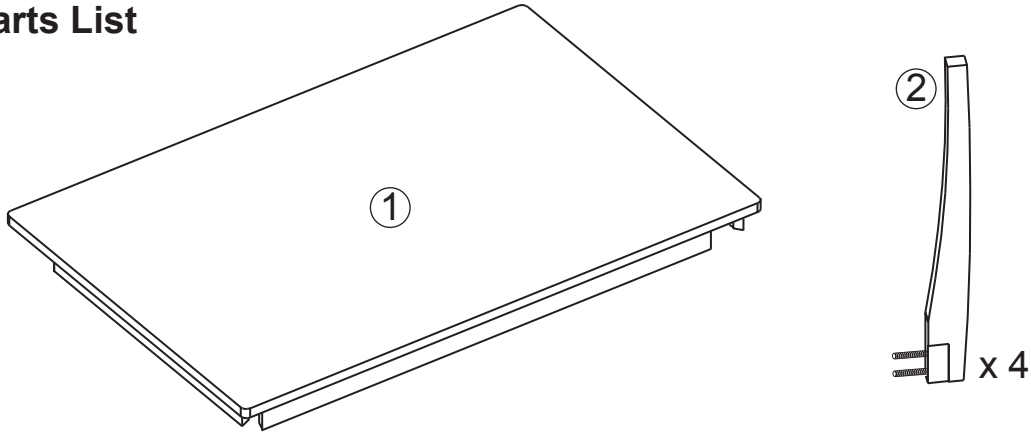
**Customer Service**  
**1-800-933-0771**  
[www.kidkraft.com](http://www.kidkraft.com)

# Solid Wood Honey Table With 4 Primary Chairs

## Assembly Instructions

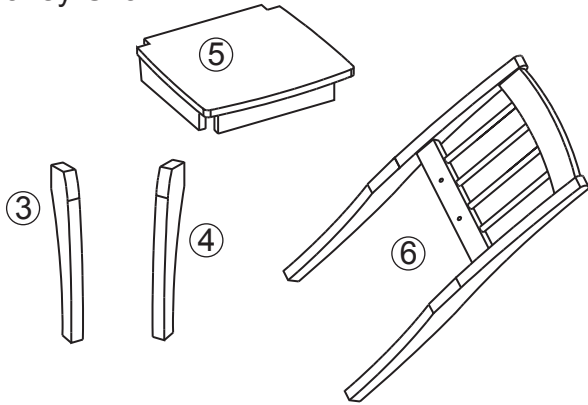
Item #26175

### Table Parts List

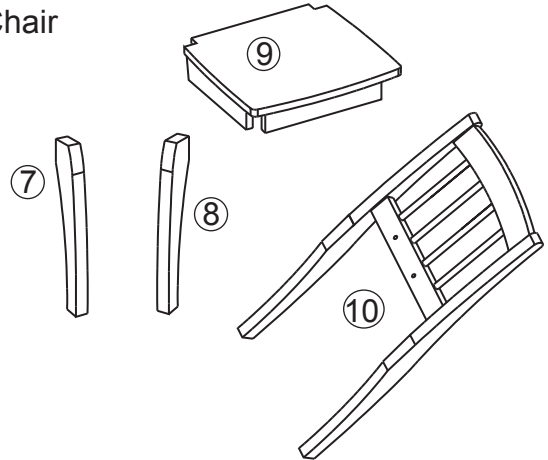


### Chair Parts List

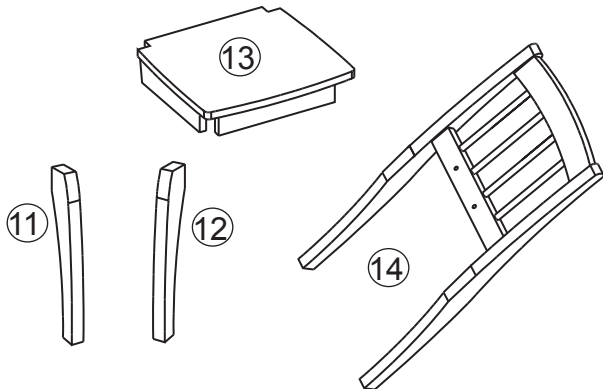
#### Honey Chair



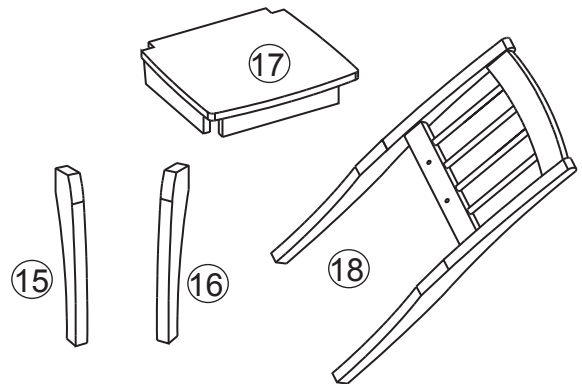
#### Red Chair



#### Blue Chair



#### Green Chair



# Solid Wood Honey Table With 4 Primary Chairs

## Assembly Instructions

Item #26175

### Table Assembly Instructions

#### HARDWARE:

A. Flat Washer x 8 pieces



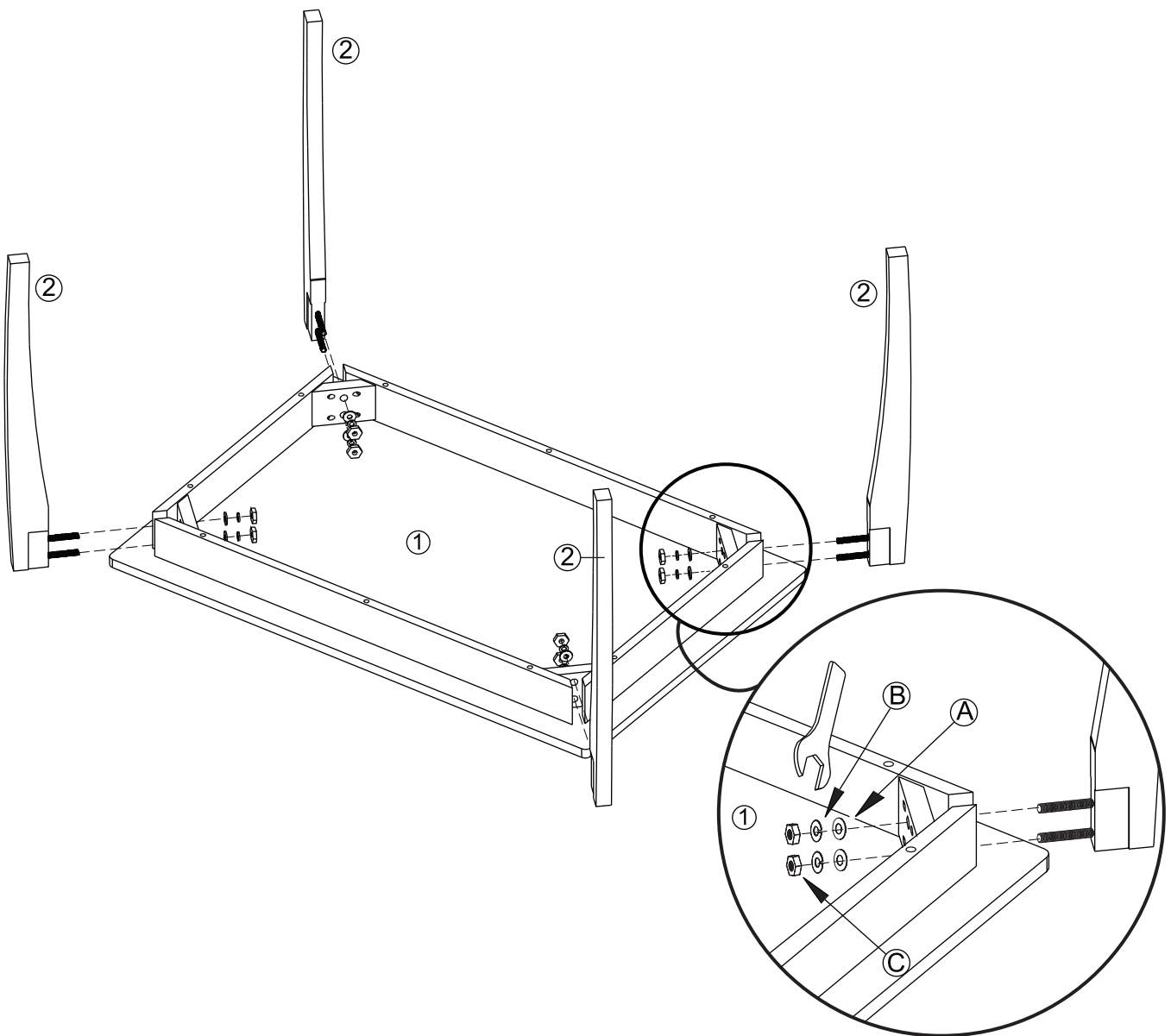
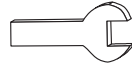
C. Nut x 8 pieces



B. Spring Washer x 8 pieces



Wrench x 1 piece



**Customer Service**  
**1-800-933-0771**  
[www.kidkraft.com](http://www.kidkraft.com)

# Solid Wood Honey Table With 4 Primary Chairs

## Assembly Instructions

Item #26175

### Chair Assembly Instructions

**HARDWARE:**

A. Flat Washer x 32 pieces



B. Spring Washer x 32 pieces



C. Short Hex Bolt x 8 pieces



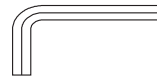
1.18inches/30mm

D. Long Hex Bolt x 24 pieces

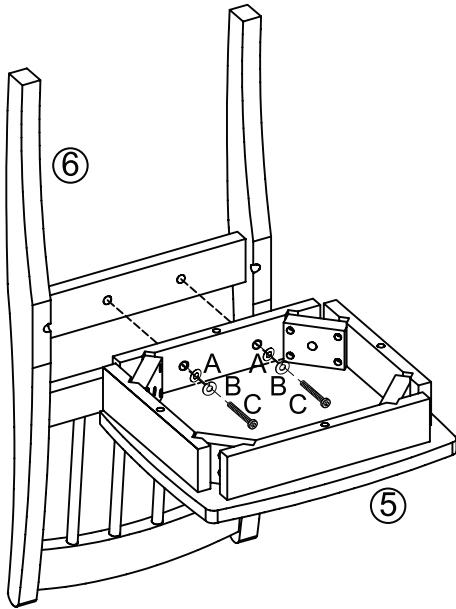


2.4inches/60mm

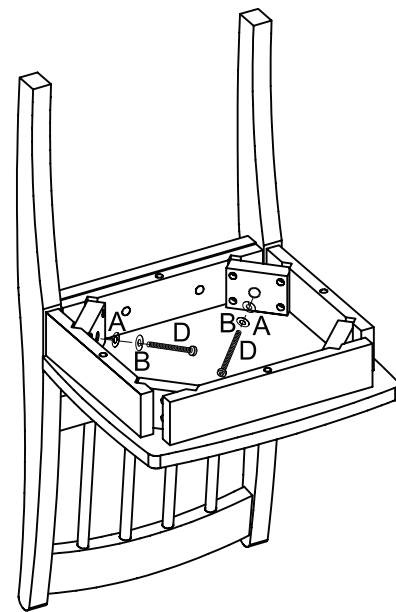
Allen Wrench x 1 piece



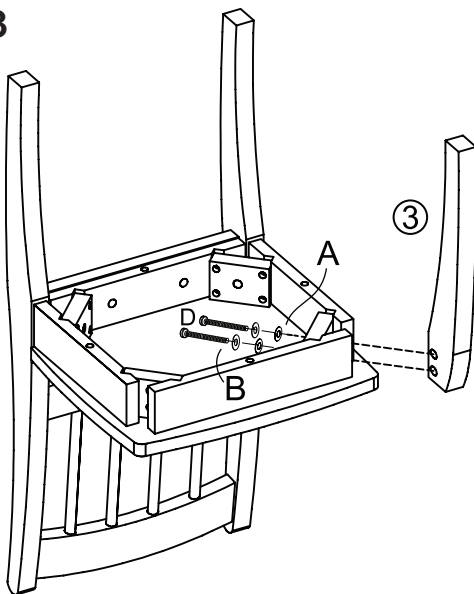
**Step 1**



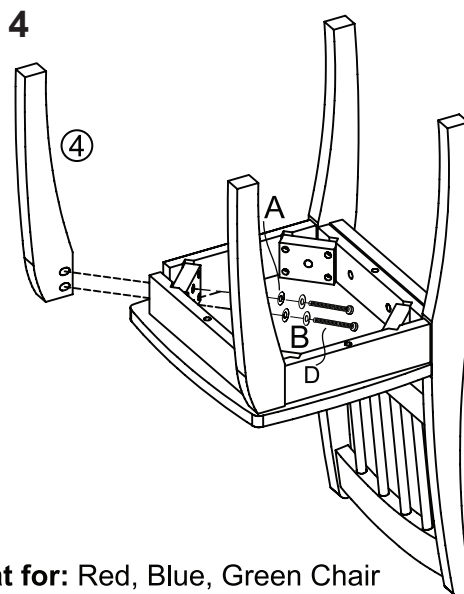
**Step 2**



**Step 3**



**Step 4**



Repeat for: Red, Blue, Green Chair

**Customer Service**  
**1-800-933-0771**  
[www.kidkraft.com](http://www.kidkraft.com)



## **IMPORTANT INFORMATION - PLEASE READ FIRST**

ALL OF OUR WOODEN ITEMS ARE HANDCRAFTED, HAND ASSEMBLED, AND HAND PAINTED. EACH ONE IS UNIQUE. SLIGHT IMPERFECTIONS MAY OCCUR AND ARE NOT MANUFACTURING DEFECTS. EACH ITEM HAS BEEN PAINTED WITH A VERY DURABLE PAINT THAT IS BOTH LEAD AND CHROMATE FREE AND SAFE FOR CHILDREN. HOWEVER, IT WILL NOT WITHSTAND ABNORMAL ABUSE AND WITH IMPROPER USE IT COULD CHIP. TOUCH-UP PAINTS ARE AVAILABLE FOR A NOMINAL CHARGE IF NEEDED. PLEASE CONTACT US DIRECTLY AND WE WILL FORWARD YOU THE NECESSARY COLOR.

PLEASE NOTE THAT WE DO NOT WARRANTY AGAINST THE USE OF PERMANENT MARKERS, NON-WATER-BASED PAINTS, CRAYONS, OR WASHABLE MARKERS. SOME OF THESE ITEMS CONTAIN PERMANENT COLOR DYES THAT COULD DAMAGE THE SURFACE.

## **CLEANING INSTRUCTIONS**

CLEAN THE SURFACE USING A SLIGHTLY DAMP CLOTH AND MILD DISHWASHING LIQUID IF NECESSARY. DO NOT USE ANY CLEANING PRODUCT CONTAINING ALCOHOL OR AMMONIA. THESE WILL DULL THE SHINY SURFACE OF THE PRODUCT. FURNITURE POLISH WILL ALSO WORK TO CLEAN AND DUST OFF THE SURFACE.

WE RECOMMEND THAT YOU TEST ALL CLEANING MATERIALS ON THE UNDERSIDE OF ANY SURFACE THAT WOULD NOT BE SEEN DURING NORMAL USE OF THE PRODUCT. IF YOU HAVE QUESTIONS REGARDING THE MAINTENANCE OF THIS PRODUCT PLEASE FEEL FREE TO CALL US.

## **WARRANTY**

**IMPORTANT:** EVIDENCE OF ORIGINAL PURCHASE IS REQUIRED FOR WARRANTY SERVICE.

**LENGTH OF WARRANTY:** 90 DAYS FROM DATE OF PURCHASE.

THIS WARRANTY COVERS DEFECTS THAT WERE A RESULT OF THE MANUFACTURERS PRODUCTION. YOU SHOULD CAREFULLY INSPECT THE CONDITION OF THE PRODUCT PRIOR TO ASSEMBLY. THIS WARRANTY IS INVALID IF THE PRODUCT IS DAMAGED OR NOT MAINTAINED AS REASONABLE OR NECESSARY.

**PROCEDURE FOR OBTAINING WARRANTY SERVICES:**

PLEASE CONTACT OUR CUSTOMER SERVICE REPRESENTATIVES AT 1-800-933-0771. THEY WILL INSTRUCT YOU HOW TO SEND THE PRODUCT AND PROOF OF PURCHASE FREIGHT PREPAID TO OUR ATTENTION.

**1-800-933-0771**