

Queen Anne Toy Chest

Assembly Instructions

Item# 14435-14436
Please retain this information for future reference

HARDWARE:

A. Cross Dowel Bolt x 8 pcs



B. Cross Dowel Nut x 8 pcs



C. Screw x 2 pcs



D. Nylon Lock Nut x 2 pcs



E. Flat Screw x 2 pcs



F. Nylon Washer x 2 pcs



G. Lid Support x 1 pc



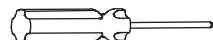
Allen Wrench x 1 pc



Wrench x 1 pc

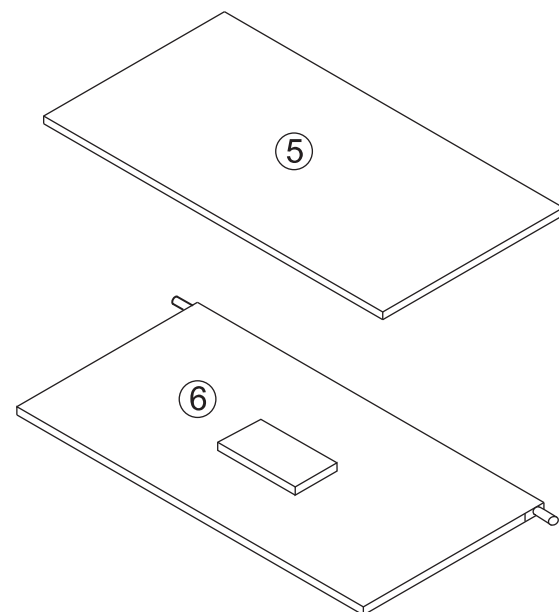
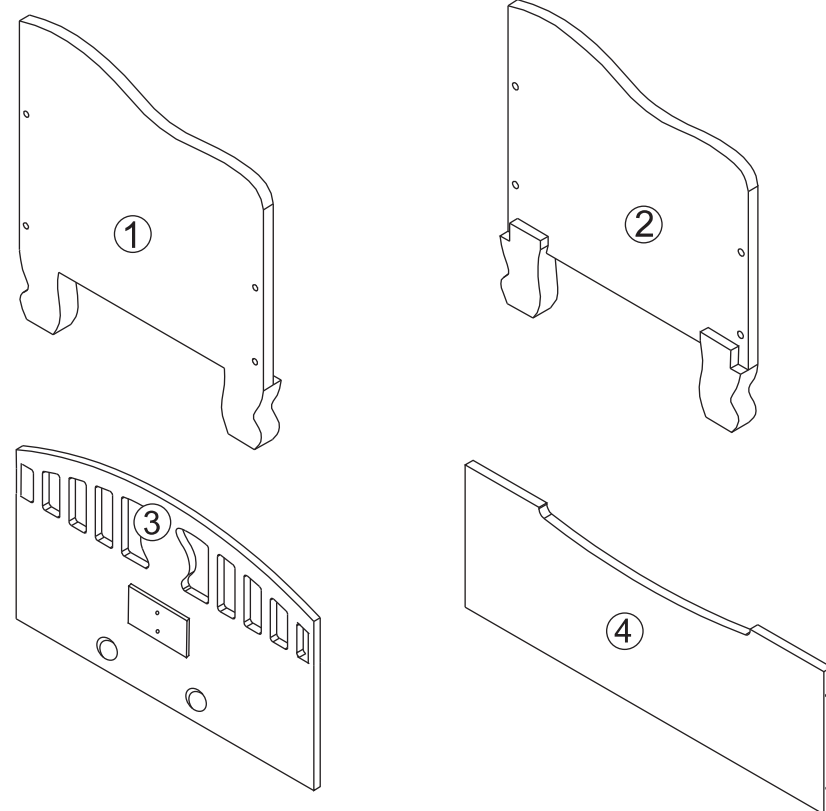


The following tools is required for assembly:

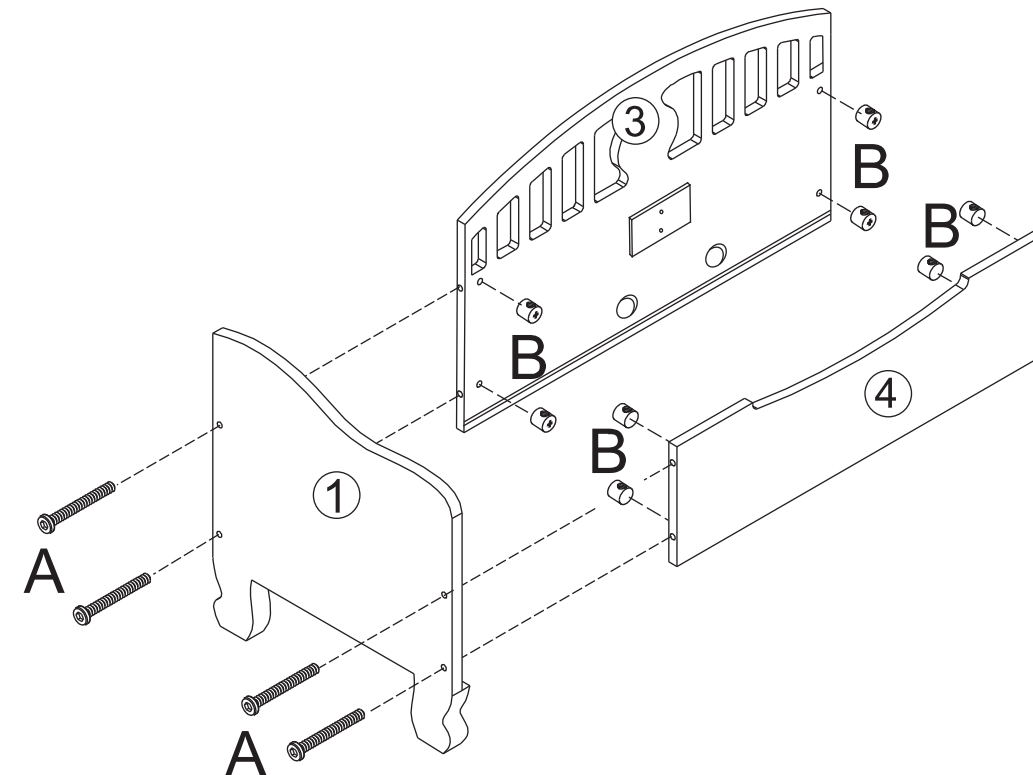


Phillips® screwdriver

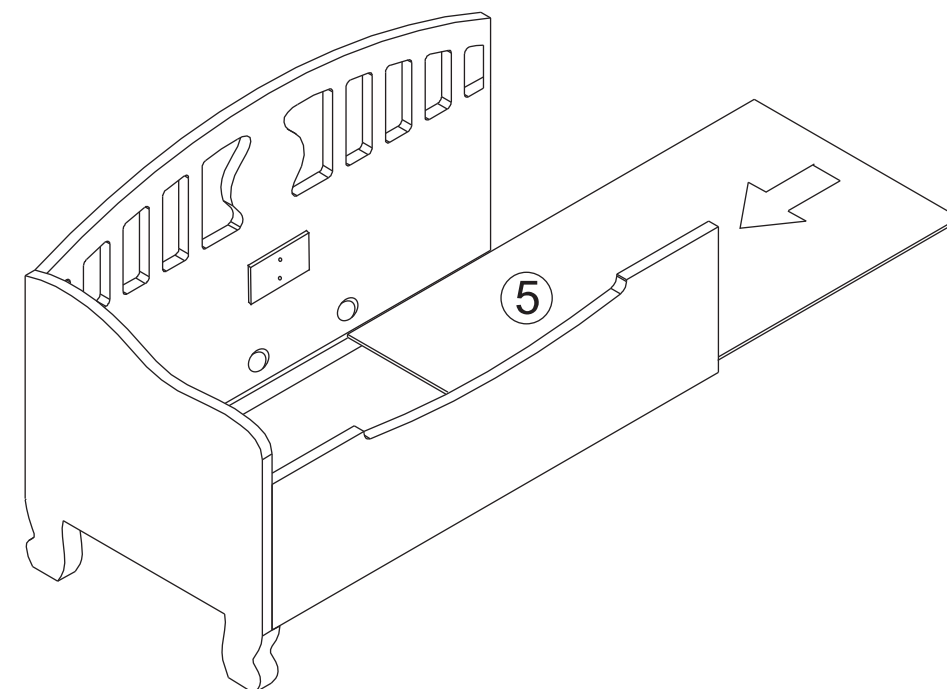
PARTS LIST:



Step 1



Step 2



CAUTION: ADULT ASSEMBLY REQUIRED
WARNING:

- Unassembled hardware in this package may be a choking hazard to children. Hardware may contain sharp points and sharp edges. Keep away from children until assembled.
- Do not allow children to play inside with lid closed. In certain situations, sufficient air may not be available for breathing.
- **IMPORTANT:** Lid Support mechanism (Part G) must be installed properly (Step 5) or a head/neck entrapment may exist. Check to make sure the Lid Support is properly installed by moving it back and forth. When you let go of the lid it should stop, not fall or slam shut.

**IMPORTANT! DO NOT TIGHTEN
SCREWS OR BOLTS UNTIL
COMPLETELY ASSEMBLED.**

**Customer Service
1-800-933-0771**

WARNING: CHOKING HAZARD
Unassembled parts may be a choking hazard to children 3 years and younger.

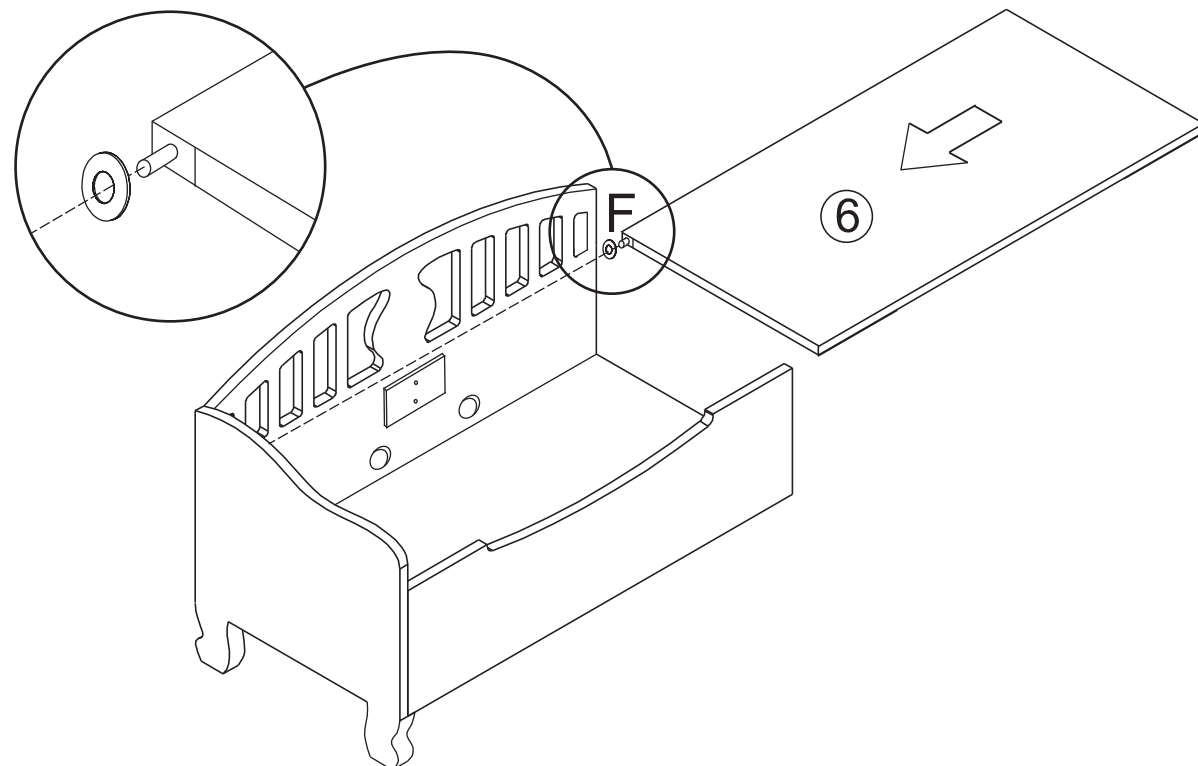
Queen Anne Toy Chest

Assembly Instructions

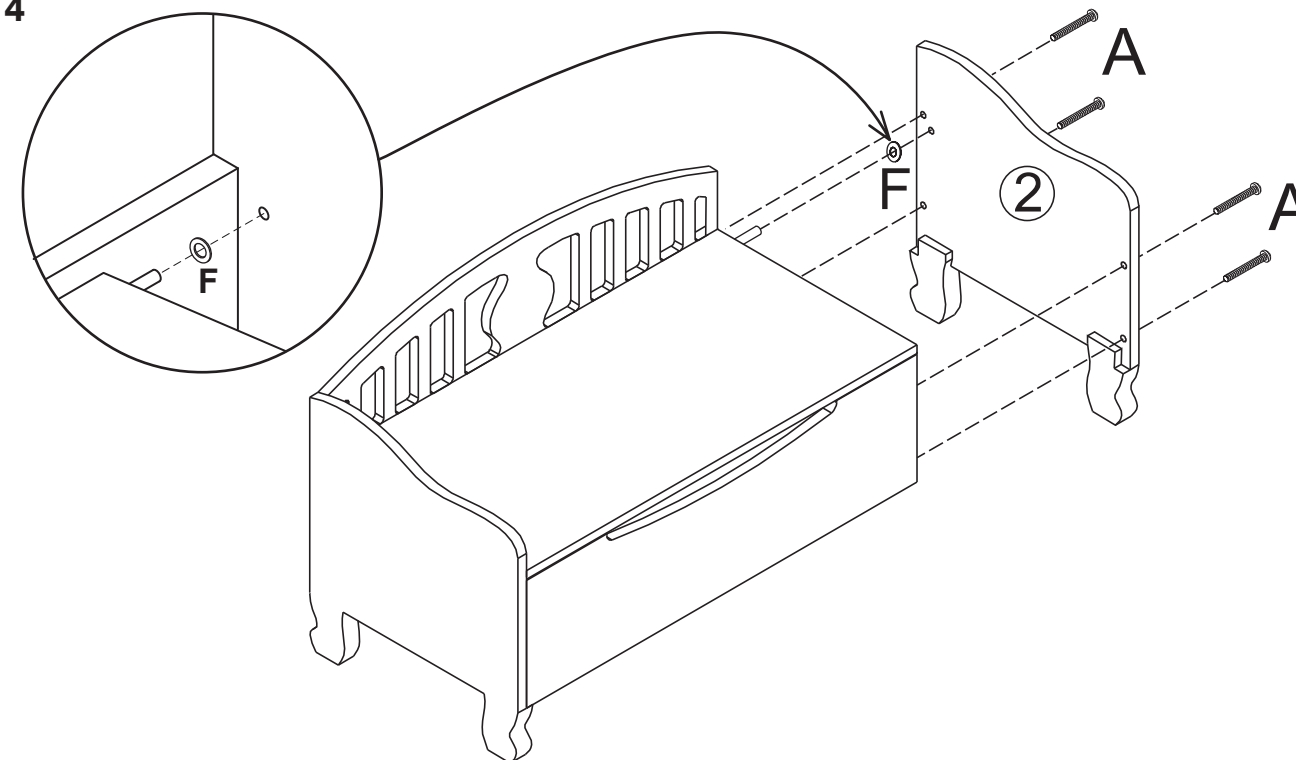
Item# 14435-14436

Please retain this information for future reference

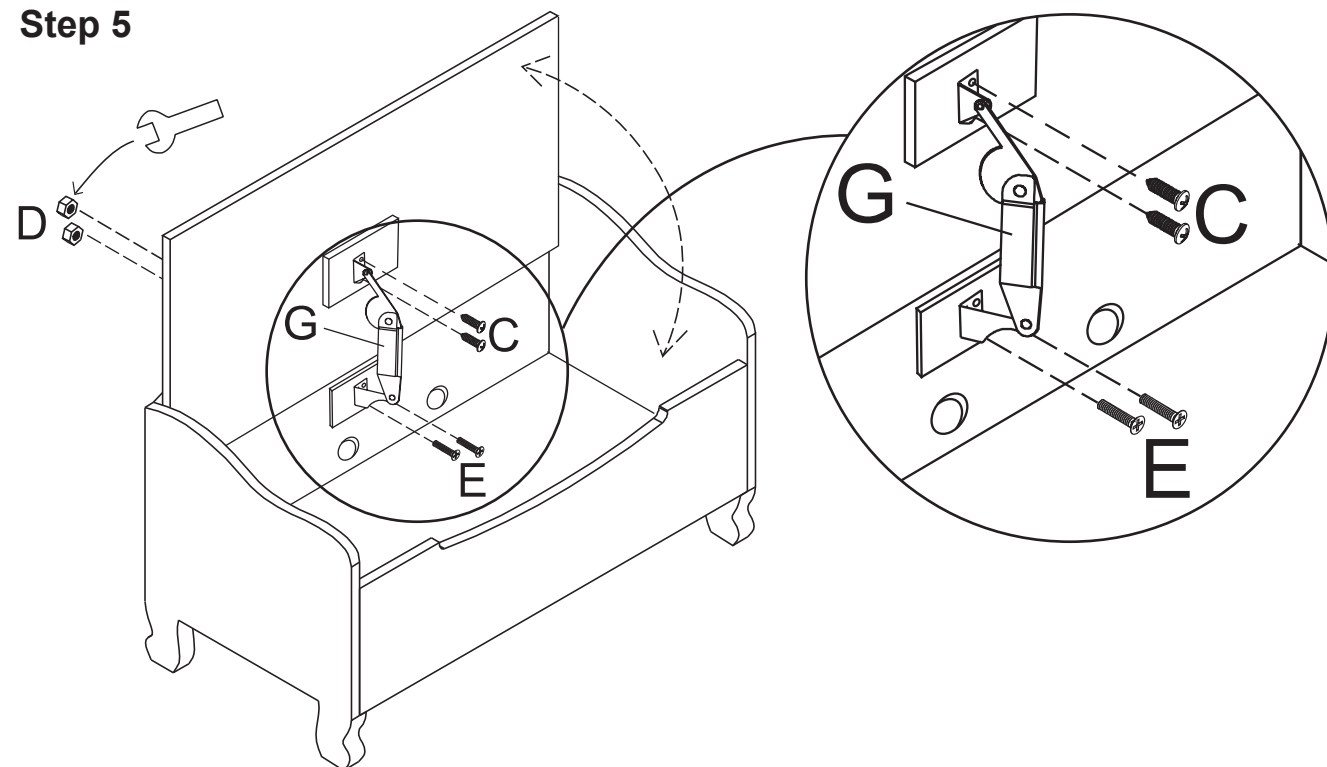
Step 3



Step 4



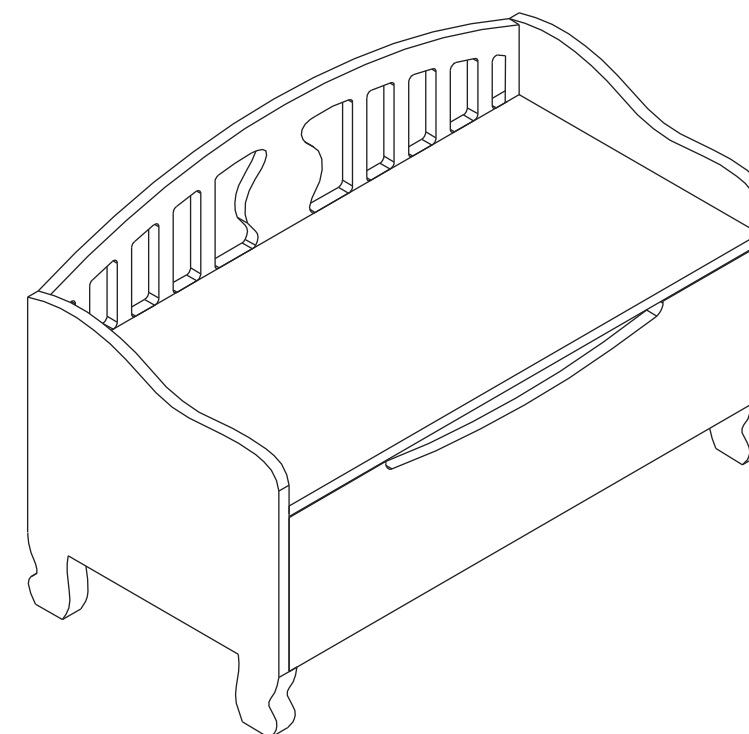
Step 5



When you let go of the lid it should stop, not fall or slam shut.

Use and maintenance:
Check periodically to make sure the lid is not falling shut. If the lid is starting to slowly fall shut, adjust the braking tension (set screw) with the 4mm hex key (included) until the lid will remain open when you let go of it.

Complete



CAUTION: ADULT ASSEMBLY REQUIRED
WARNING:

- Unassembled hardware in this package may be a choking hazard to children. Hardware may contain sharp points and sharp edges. Keep away from children until assembled.
- Do not allow children to play inside with lid closed. In certain situations, sufficient air may not be available for breathing.
- **IMPORTANT:** Lid Support mechanism (Part G) must be installed properly (Step 5) or a head/neck entrapment may exist. Check to make sure the Lid Support is properly installed by moving it back and forth. When you let go of the lid it should stop, not fall or slam shut.

**IMPORTANT! DO NOT TIGHTEN
SCREWS OR BOLTS UNTIL
COMPLETELY ASSEMBLED.**

Customer Service
1-800-933-0771



WARNING: CHOKING HAZARD
Unassembled parts may be a choking hazard to children 3 years and younger.



IMPORTANT INFORMATION - PLEASE READ FIRST

ALL OF OUR WOODEN ITEMS ARE HANDCRAFTED, HAND ASSEMBLED, AND HAND PAINTED. EACH ONE IS UNIQUE. SLIGHT IMPERFECTIONS MAY OCCUR AND ARE NOT MANUFACTURING DEFECTS. EACH ITEM HAS BEEN PAINTED WITH A VERY DURABLE PAINT THAT IS BOTH LEAD AND CHROMATE FREE AND SAFE FOR CHILDREN. HOWEVER, IT WILL NOT WITHSTAND ABNORMAL ABUSE AND WITH IMPROPER USE IT COULD CHIP. TOUCH-UP PAINTS ARE AVAILABLE FOR A NOMINAL CHARGE IF NEEDED. PLEASE CONTACT US DIRECTLY AND WE WILL FORWARD YOU THE NECESSARY COLOR.

PLEASE NOTE THAT WE DO NOT WARRANTY AGAINST THE USE OF PERMANENT MARKERS, NON-WATER-BASED PAINTS, CRAYONS, OR WASHABLE MARKERS. SOME OF THESE ITEMS CONTAIN PERMANENT COLOR DYES THAT COULD DAMAGE THE SURFACE.

CLEANING INSTRUCTIONS

CLEAN THE SURFACE USING A SLIGHTLY DAMP CLOTH AND MILD DISH WASHING LIQUID IF NECESSARY. DO NOT USE ANY CLEANING PRODUCT CONTAINING ALCOHOL OR AMMONIA. THESE WILL DULL THE SHINY SURFACE OF THE PRODUCT. FURNITURE POLISH WILL ALSO WORK TO CLEAN AND DUST OFF THE SURFACE.

WE RECOMMEND THAT YOU TEST ALL CLEANING MATERIALS ON THE UNDERSIDE OF ANY SURFACE THAT WOULD NOT BE SEEN DURING NORMAL USE OF THE PRODUCT. IF YOU HAVE QUESTIONS REGARDING THE MAINTENANCE OF THIS PRODUCT PLEASE FEEL FREE TO CALL US.

WARRANTY

IMPORTANT: EVIDENCE OF ORIGINAL PURCHASE IS REQUIRED FOR WARRANTY SERVICE.

LENGTH OF WARRANTY: 90 DAYS FROM DATE OF PURCHASE.

THIS WARRANTY COVERS DEFECTS THAT WERE A RESULT OF THE MANUFACTURERS PRODUCTIONS. YOU SHOULD CAREFULLY INSPECT THE CONDITION OF THE PRODUCT PRIOR TO ASSEMBLY. THIS WARRANTY IS INVALID IF THE PRODUCT IS DAMAGED OR NOT MAINTAINED AS REASONABLE OR NECESSARY.

PROCEDURE FOR OBTAINING WARRANTY SERVICES:

PLEASE CONTACT OUR CUSTOMER SERVICE REPRESENTATIVES AT 1-800-933-0771. THEY WILL INSTRUCT YOU HOW TO SEND THE PRODUCT AND PROOF OF PURCHASE FREIGHT PREPAID TO OUR ATTENTION.

CUSTOMER SERVICE 1-800-933-0771

www.kidkraft.com