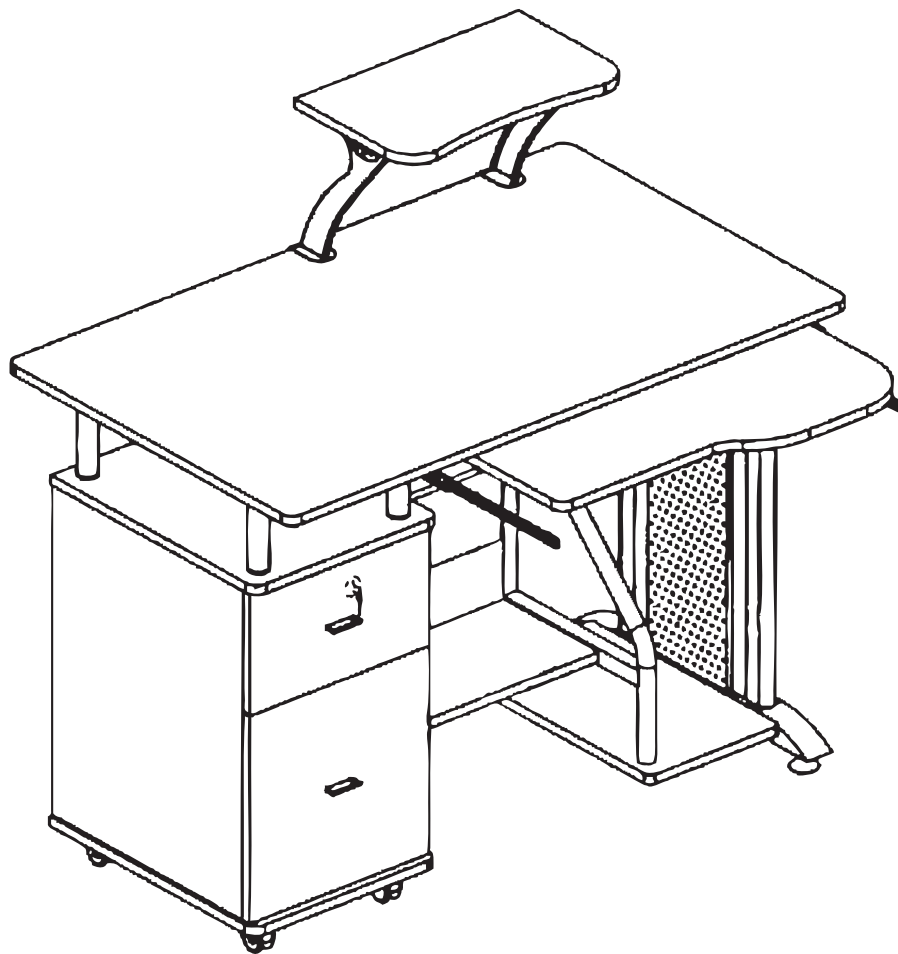


# OPERATION MANUAL

## MODEL 50-100505

SUPPLIER CODE - CH-50-100505

ROTHMIN COMPUTER DESK



## CUSTOMER SERVICE

For fastest service, please visit our website at

[www.comfortproducts.net/support](http://www.comfortproducts.net/support)  
e-mail: [customerservice@comfortproducts.net](mailto:customerservice@comfortproducts.net)

Keep your sales receipt as documentation of your ownership.

# CONTENTS

EXTRA SPARE HARDWARE INCLUDED FOR YOUR CONVENIENCE. ITEMS ARE NOT SHOWN TO SCALE.

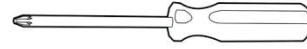
CONTENU : INCLUS DES PIÈCES DE RECHANGE SUPPLÉMENTAIRES. LES PIÈCES NE SONT PAS À L'ÉCHELLE.

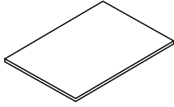
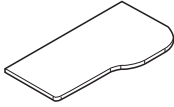
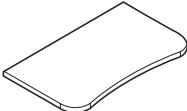
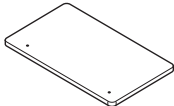
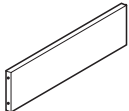
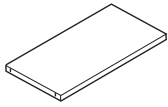
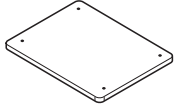
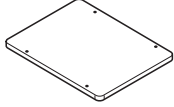
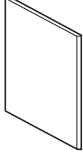
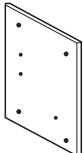
CONTENIDO: REPUESTOS DE ACCESORIOS ADICIONALES INCLUIDOS PARA SU CONVENIENCIA. LOS ELEMENTOS NO SE MUESTRAN A ESCALA.


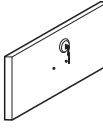
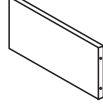
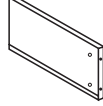
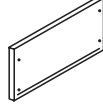
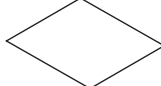
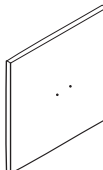
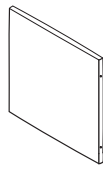
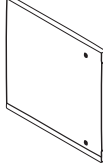
## PARTS AND HARDWARE LIST

LISTE DES PIÈCES • PARTES Y LISTA DE ACCESORIOS

TOOL REQUIRED: PHILIPS HEAD SCREWDRIVER

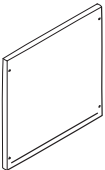
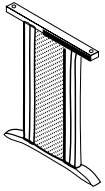
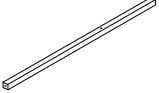
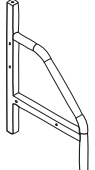
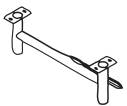
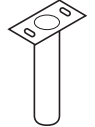
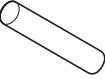
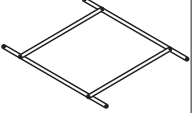
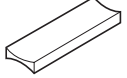

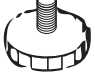




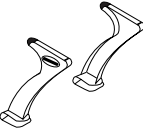
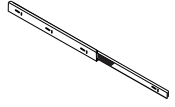
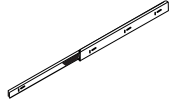


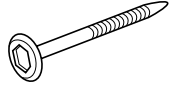
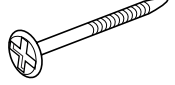
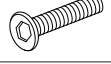
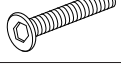

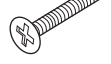



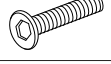

PART PIÈCE PARTE	DESCRIPTION DESCRIPTION DESCRIPCIÓN	STOCK# RÉFÉRENCE # CÓDIGO #	QTY. QTÉ. CANT.
1	Desk Top 	51-100505DT	1
2	Keyboard Tray 	51-100505KT	1
3	Printer Shelf 	51-100505PS	1
4	Bottom Shelf 	51-100505BS	1
5	Back Board 	51-100505BB	1
6	Book Shelf 	51-100505KS	1
7	Cabinet Top 	51-100505CBT	1
8	Cabinet Base 	51-100505CBS	1
9	Cabinet Wall 9 	51-100505CW9	1
10	Cabinet Wall 10 	51-100505CW10	1

PART PIÈCE PARTE	DESCRIPTION DESCRIPTION DESCRIPCIÓN	STOCK# RÉFÉRENCE # CÓDIGO #	QTY. QTÉ. CANT.
11	Cabinet Back 	51-100505CBK	1
12	Small Drawer Front 	51-100505SDF	1
13	Small Drawer Left 	51-100505SDL	1
14	Small Drawer Right 	51-100505SDR	1
15	Small Drawer Back 	51-100505SDB	1
16	Drawer Bottom 	51-100505DB	2
17	Large Drawer Front 	51-100505LDF	1
18	Large Drawer Left 	51-100505LDL	1
19	Large Drawer Right 	51-100505LDR	1

# PARTS AND HARDWARE LIST

PIÈCES ET LISTE HARDWARE • PARTES Y LISTA DE HARDWARE

PART PIÈCE PARTE	DESCRIPTION DESCRIPTION DESCRIPCIÓN	STOCK# RÉFÉRENCE # CÓDIGO #	QTY. QTÉ. CANT.
20	Large Drawer Back 	51-100505LDB	1
21	Right Stand 	51-100505RS	1
22	Rear Bar 	51-100505RB	1
23	Brace 	51-100505BRC	1
24	PostswithRollers 	51-100505PR	1
25	Rectangle Post 	51-100505REP	2
26	Extenders 	51-100505EX	2
27	Hanger 	51-100505HG	1
28	Drawer Handle 	51-100505DH	2
29	Caster 	51-1005CAST	4
30	Printer Stand Fastener 	51-1005PSF	2
31	Leg Cap 	51-1005LC	2

PART PIÈCE PARTE	DESCRIPTION DESCRIPTION DESCRIPCIÓN	STOCK# RÉFÉRENCE # CÓDIGO #	QTY. QTÉ. CANT.
32	Disk 	51-1005DK	4
33	Printer Stands 	51-1005PST	1
34a 34b	Drawer Rollers 	51-1005LR34A 51-1005LR34B	2 2
35a 35b	Drawer Rollers 	51-1005RR35A 51-1005RR35B	2 2
A	Cam 	CAM	16
B	Cam Lock 	CAMLOCK	16
C	M5 x 60 	M5X60MM	12
D	M5 x 70 	M5X70MM	2
E	M6 x 30 	M6X30MM	3
F	M6 x 40 	M6X40MM	7
G	M4 x 18 	M4x18MM	4
H	M4 x 35 	M4x35MM	8
I	M4 x 12 	M4x12MM	36
J	M6 x 80 	M6X80MM	2
K	M6 x 10 	M6X10MM	12
L	M8 x 30 	M8x30MM	4
M	Hex Wrench 	HW4	1

## REPLACEMENT PARTS

IF YOU ARE MISSING ANY OF THE PARTS ABOVE, OR IF YOU HAVE A DAMAGED PART, PLEASE VISIT [WWW.COMFORTPRODUCTS.NET/SUPPORT](http://WWW.COMFORTPRODUCTS.NET/SUPPORT) AND REFERENCE THE SUPPLIER CODE ON THE FRONT OF THIS MANUAL. SIMPLY COMPLETE THE INFORMATION, AND THE PART YOU NEED. THE PART WILL NORMALLY SHIP WITHIN 48 HOURS.

# ASSEMBLY INSTRUCTION (50-100505)

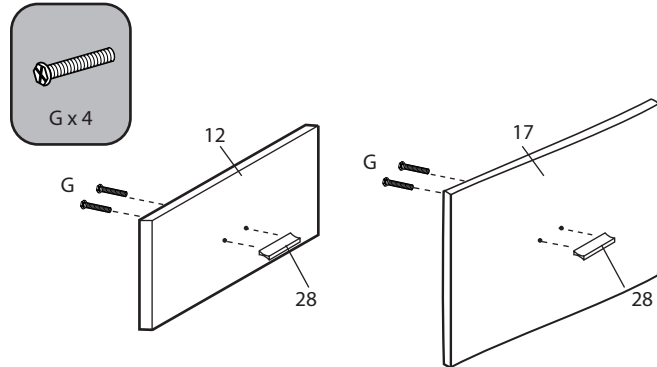
DO NOT TIGHTEN SCREWS UNTIL COMPLETELY ASSEMBLED

NOTICE DE MONTAGE (50-100505) NE PAS SERRER LES VIS AVANT LE MONTAGE COMPLET

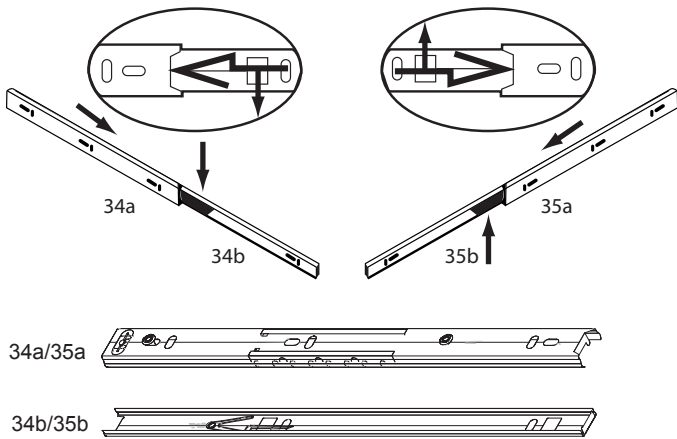
INSTRUCCIONES DE MONTAJE (50-100505) NO AJUSTE LOS TORNILLOS HASTA QUE ESTÉ COMPLETAMENTE ARMADO

## STEP / ÉTAPE / PASO 1

Attach drawer handles (28) to (12) and (17) using screws (G) as shown.



Separate rollers (34) into its two parts (34a) and (34b) as shown. Separate rollers (35) into its two parts (34a) and (34b) as shown.



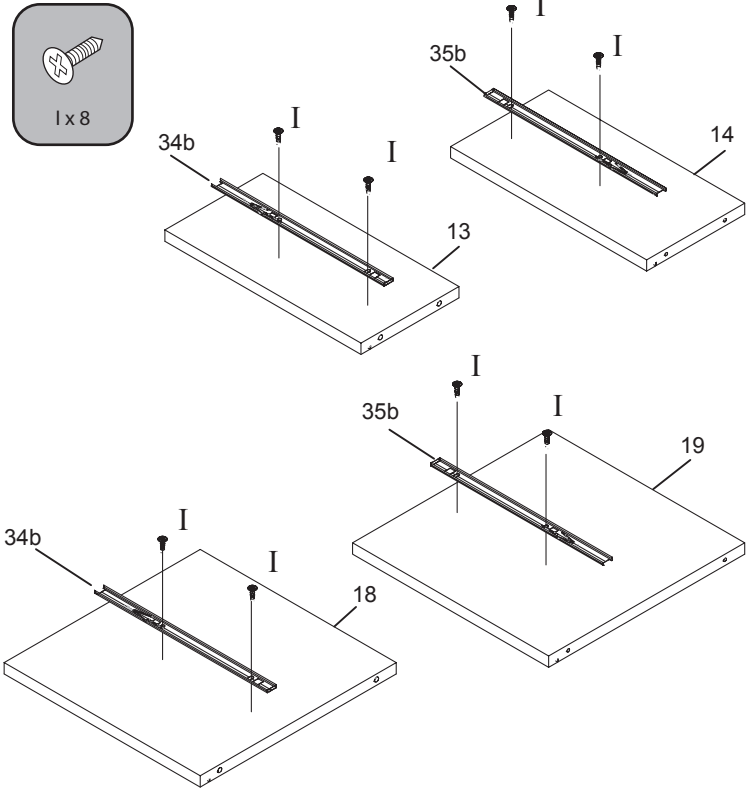
## STEP / ÉTAPE / PASO 2

Attach roller (34b) to (13) using screws (I) as shown. Rollers should be on opposite sides of long horizontal cutouts.

Attach roller (35b) to (14) using screws (I).

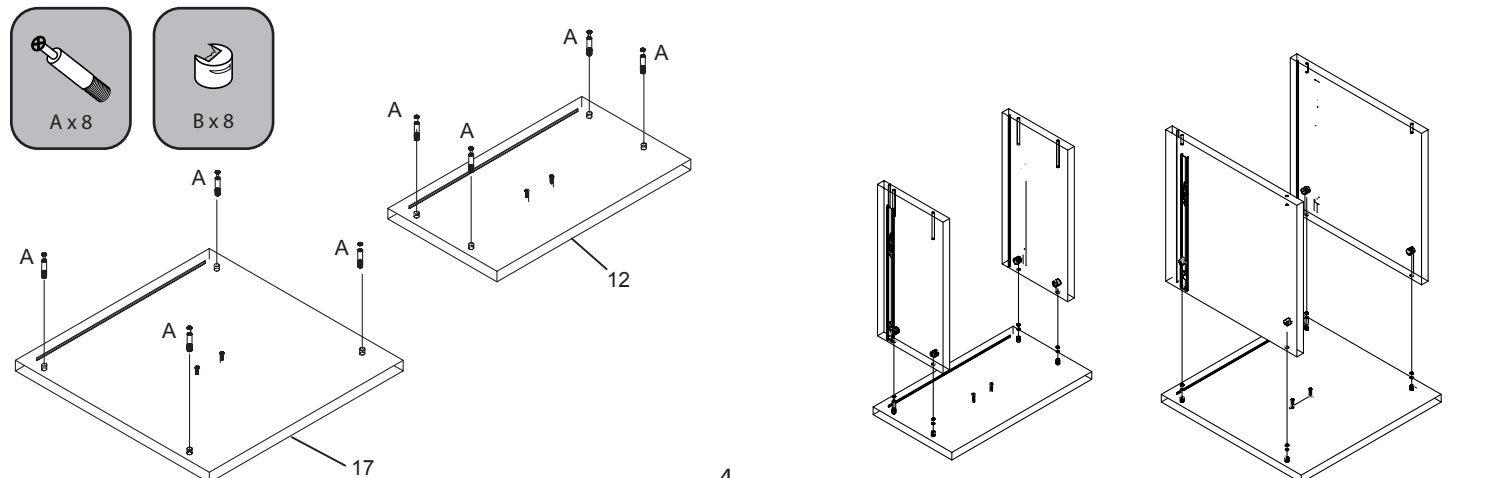
Attach roller (34b) to (18) using screws (I).

Attach roller (35b) to (19) using screws (I).



## STEP / ÉTAPE / PASO 3

Insert the cam locks (B) into (13), (14), (18) and (19) as shown. Make sure the cam lock opening is facing the outer holes. Connect the drawer fronts (12) and (17) using cams (A) as shown. Turn the cams about 1/2 clockwise to lock into place.



# ASSEMBLY INSTRUCTION (50-100505)

DO NOT TIGHTEN SCREWS UNTIL COMPLETELY ASSEMBLED

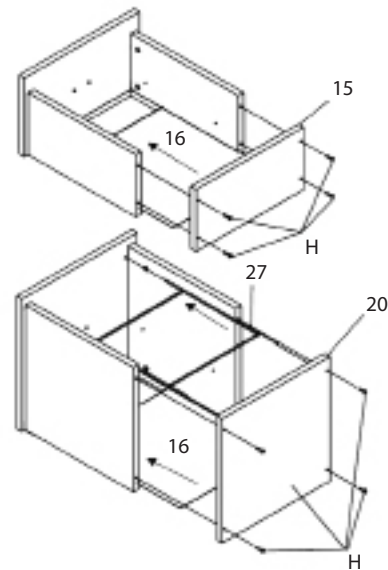
NOTICE DE MONTAGE (50-100505) NE PAS SERRER LES VIS AVANT LE MONTAGE COMPLET

INSTRUCCIONES DE MONTAJE (50-100505) NO AJUSTE LOS TORNILLOS HASTA QUE ESTÉ COMPLETAMENTE ARMADO

## STEP / ÉTAPE / PASO 4

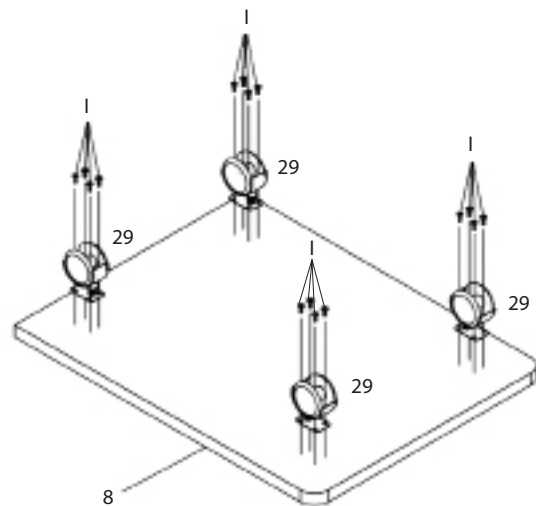
Insert drawer bottom (16) into small drawer as shown. Attach drawer back (15) using screws (H) as shown.

Insert drawer bottom (16) into large drawer as shown. Insert hangers (27) as shown. Attach drawer back (20) using screws (H) as shown.



## STEP / ÉTAPE / PASO 5

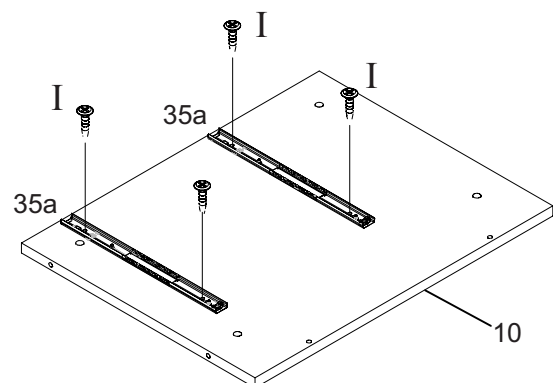
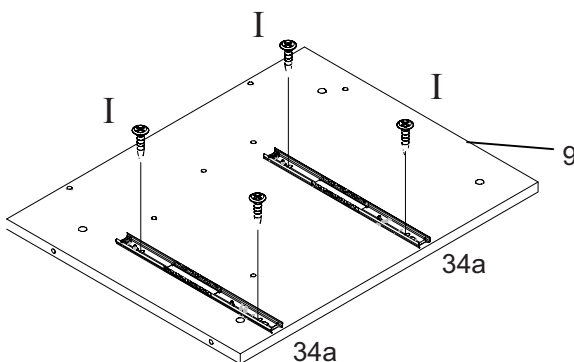
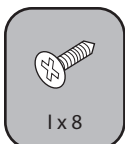
Attach casters (29) to cabinet base (8) using screws (I) as shown.



## STEP / ÉTAPE / PASO 6

Attach rollers (34a) to cabinet wall (9) using screws (I) as shown.

Attach rollers (35a) to cabinet wall (10) using screws (I) as shown.



# ASSEMBLY INSTRUCTION (50-100505)

DO NOT TIGHTEN SCREWS UNTIL COMPLETELY ASSEMBLED

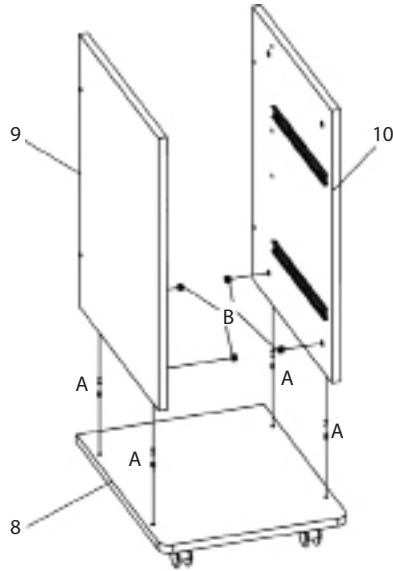
NOTICE DE MONTAGE (50-100505) NE PAS SERRER LES VIS AVANT LE MONTAGE COMPLET

INSTRUCCIONES DE MONTAJE (50-100505) NO AJUSTE LOS TORNILLOS HASTA QUE ESTÉ COMPLETAMENTE ARMADO

## STEP / ÉTAPE / PASO 7

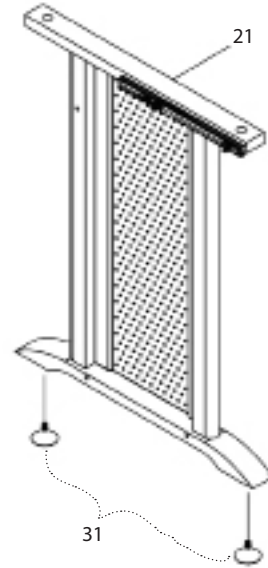
Insert cam locks (B) into (9) and (10) as shown.

Attach (9) and (10) to cabinet base (8) using cams (A) as shown. Turn cam locks to lock into place.



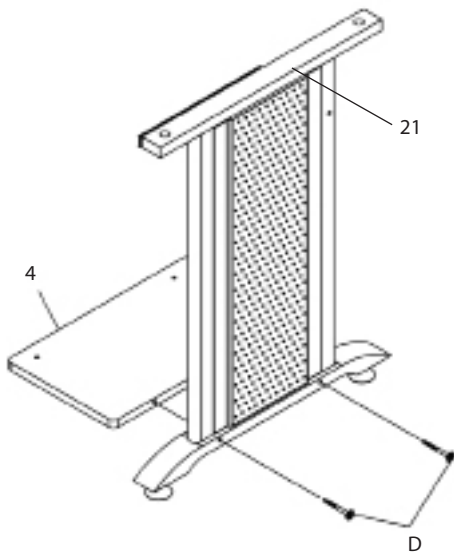
## STEP / ÉTAPE / PASO 8

Attach leg caps (31) to right stand (21) as shown.



## STEP / ÉTAPE / PASO 9

Attach bottom shelf (4) to right stand (21) using screws (D) as shown.



# ASSEMBLY INSTRUCTION (50-100505)

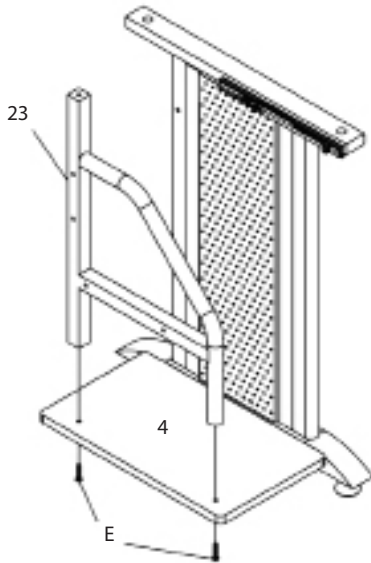
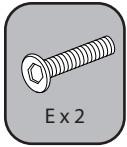
DO NOT TIGHTEN SCREWS UNTIL COMPLETELY ASSEMBLED

NOTICE DE MONTAGE (50-100505) NE PAS SERRER LES VIS AVANT LE MONTAGE COMPLET

INSTRUCCIONES DE MONTAJE (50-100505) NO AJUSTE LOS TORNILLOS HASTA QUE ESTÉ COMPLETAMENTE ARMADO

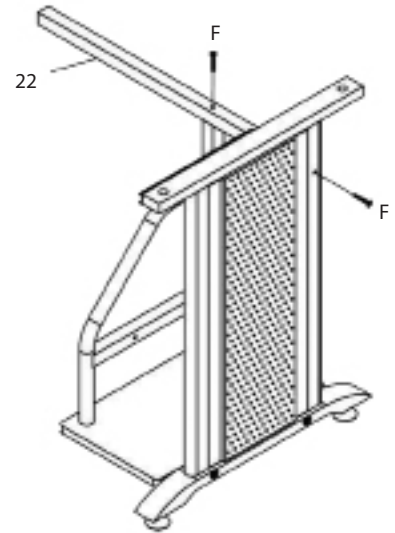
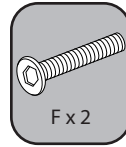
## STEP / ÉTAPE / PASO 10.....

Attach brace (23) to (4) using screws (E) as shown.



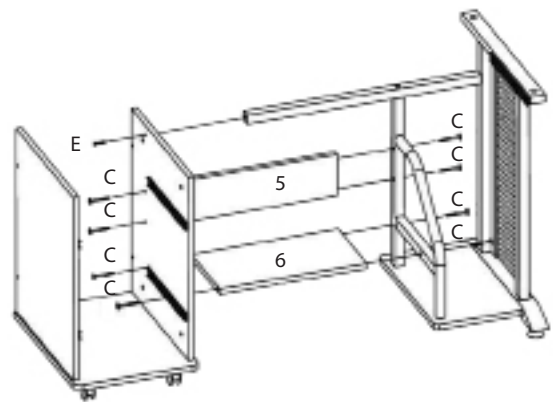
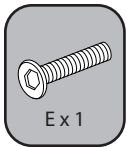
## STEP / ÉTAPE / PASO 11.....

Attach rear bar (22) using two screws (F) as shown.



## STEP / ÉTAPE / PASO 12.....

Connect back board (5) and book shelf (6) to frame using eight screws (C) and one screw (E) as shown.



# ASSEMBLY INSTRUCTION (50-100505)

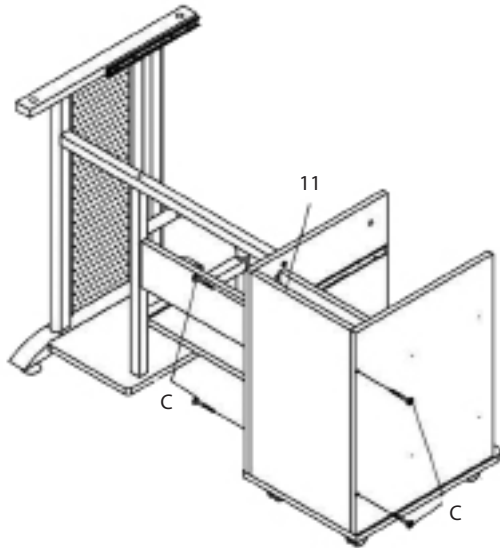
DO NOT TIGHTEN SCREWS UNTIL COMPLETELY ASSEMBLED

NOTICE DE MONTAGE (50-100505) NE PAS SERRER LES VIS AVANT LE MONTAGE COMPLET

INSTRUCCIONES DE MONTAJE (50-100505) NO AJUSTE LOS TORNILLOS HASTA QUE ESTÉ COMPLETAMENTE ARMADO

## STEP / ÉTAPE / PASO 13

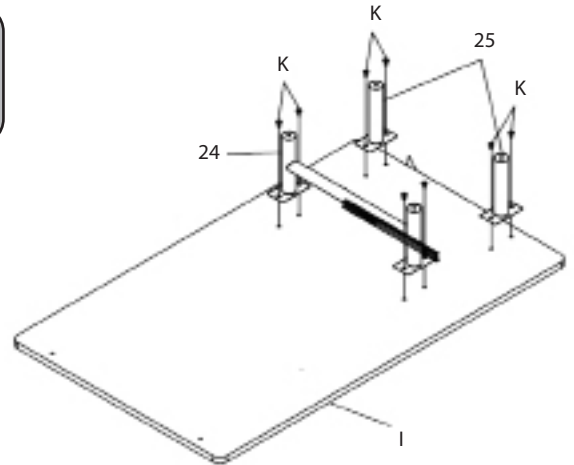
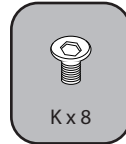
Attach cabinet back (11) using four screws (C) as shown.



## STEP / ÉTAPE / PASO 14

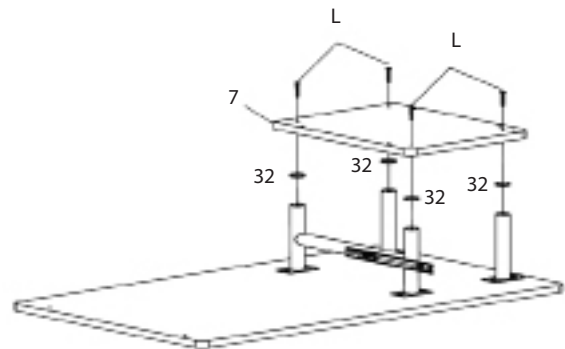
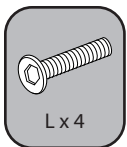
Turn desk top (1) upside-down. Attach (24) and (25) using eight screws (K) as shown.

NOTE: make sure the position of the rollers on part (24) matches the diagram.



## STEP / ÉTAPE / PASO 15

Attach cabinet top (7) using (32) and screws (L) as shown.





# ASSEMBLY INSTRUCTION (50-100505)

DO NOT TIGHTEN SCREWS UNTIL COMPLETELY ASSEMBLED

NOTICE DE MONTAGE (50-100505) NE PAS SERRER LES VIS AVANT LE MONTAGE COMPLET

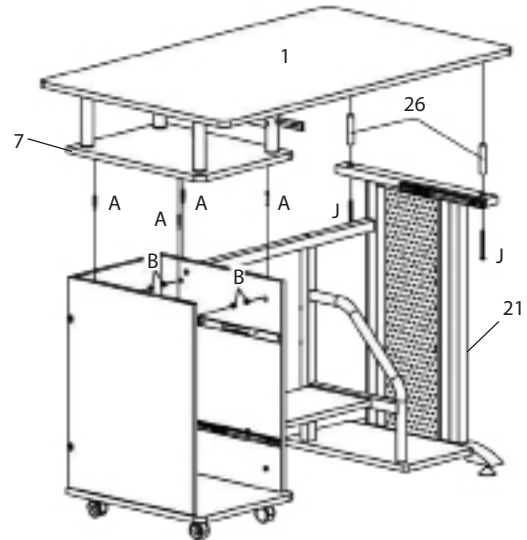
INSTRUCCIONES DE MONTAJE (50-100505) NO AJUSTE LOS TORNILLOS HASTA QUE ESTÉ COMPLETAMENTE ARMADO

## STEP / ÉTAPE / PASO 16

Install four cams (A) to cabinet top (7). Insert cam locks (B) into cabinet walls (9) and (10) as shown.

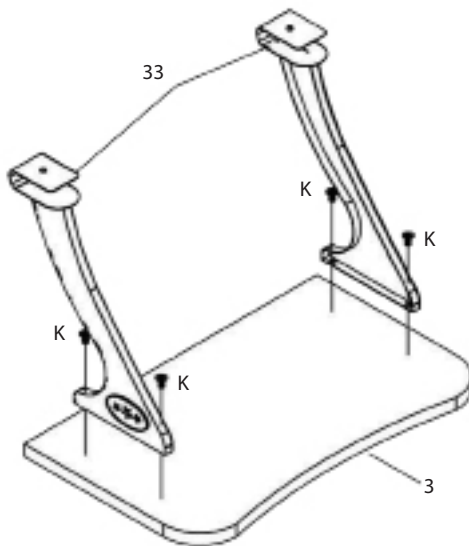
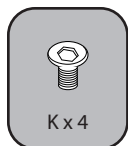
Insert extenders (26) into right stand (21) as shown.

Carefully place desk top (1) onto desk frame as shown. Tighten cam locks (B) and attach two screws (J) as shown.



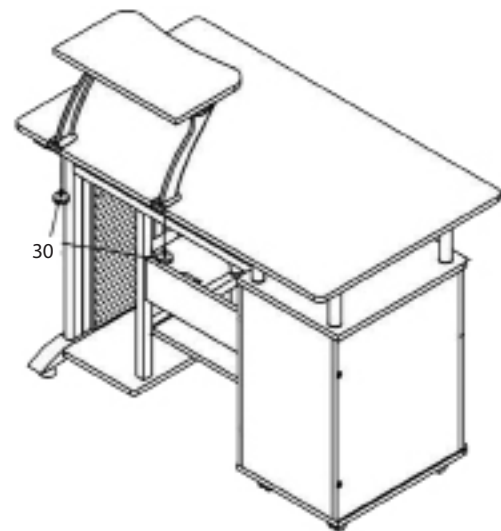
## STEP / ÉTAPE / PASO 17

Attach printer stands (33) to printer shelf (3) using four screws (K) as shown.



## STEP / ÉTAPE / PASO 18

You may position the printer stands anywhere on the rear of the desk. Simply secure to desk top using fasteners (30) as shown.



# ASSEMBLY INSTRUCTION (50-100505)

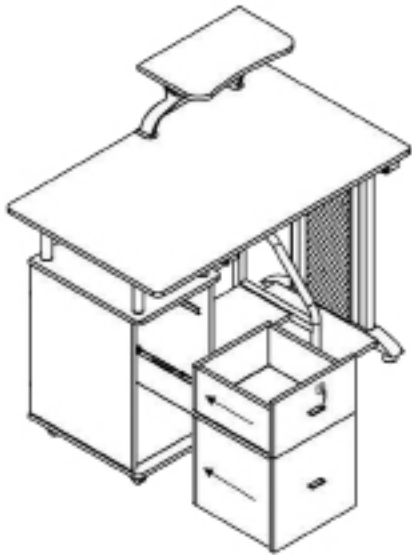
DO NOT TIGHTEN SCREWS UNTIL COMPLETELY ASSEMBLED

NOTICE DE MONTAGE (50-100505) NE PAS SERRER LES VIS AVANT LE MONTAGE COMPLET

INSTRUCCIONES DE MONTAJE (50-100505) NO AJUSTE LOS TORNILLOS HASTA QUE ESTÉ COMPLETAMENTE ARMADO

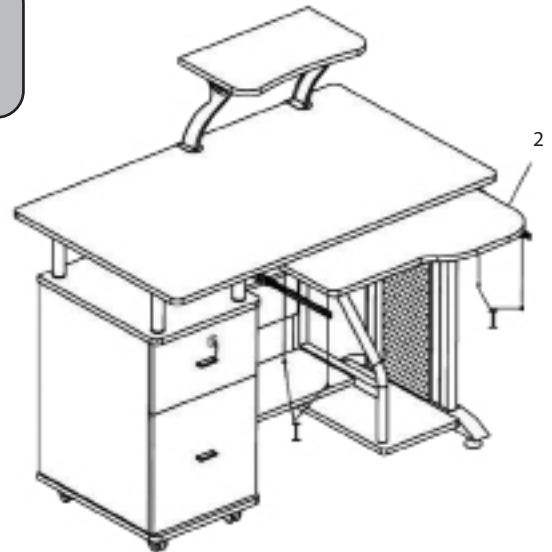
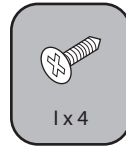
## STEP / ÉTAPE / PASO 19 .....

Install assembled cabinet drawers as shown.



## STEP / ÉTAPE / PASO 20 .....

Attach keyboard tray (2) using four screws (1) as shown.



## SAFETY AND MAINTENANCE

SÉCURITÉ ET ENTRETIEN • SEGURIDAD Y MANTENIMIENTO

- DO NOT stand on the desk. Do not use the desk as a stepladder.  
NE PAS se mettre debout sur le bureau. Ne pas utiliser le bureau comme escabeau.  
NO se pare sobre el escritorio. No use el escritorio como una escalera.
- DO NOT use this desk unless all bolts and screws are firmly secured.  
NE PAS utiliser ce bureau si tous les boulons et vis ne sont pas bien serrés.  
NO utilice este escritorio a menos que todos los pernos y tornillos estén bien sujetos.
- Every 6 months, check all bolts and screws to ensure they are tight.  
Tous les 6 mois, vérifiez que tous les boulons et vis sont bien serrés.  
Cada 6 meses, revise todos los pernos y tornillos para asegurarse que estén bien ajustados.

# LIMITED WARRANTY

## GARANTIE LIMITÉE • GARANTÍA LIMITADA

PLEASE VISIT [WWW.COMFORTPRODUCTS.NET](http://WWW.COMFORTPRODUCTS.NET) FOR WARRANTY INFORMATION

Comfort Products warrants this product to be free from defects in material and workmanship for one (1) year. This warranty is made by Comfort Products only to the original end-user customer acquiring the product directly from Comfort Products' authorized dealers as shown by the original sales receipt. The end-user customer remedy pursuant to this warranty is limited to repair or replacement of parts at Comfort Products' option within a reasonable amount of time. Comfort Products reserves the right to require damaged parts to be returned to Comfort Products upon request. Consent from Comfort Products must be obtained before any warranty work is performed. This warranty applies under conditions of normal use and does not subject to defects caused by improper assembly or disassembly; defects occurring after purchase due to product modification, intentional damage, fire, misuse, negligence, or exposure to the elements; labor or assembly cost. This warranty does not cover the cost of transportation or labor. In no event shall Comfort Products be liable in either tort or contract for any loss or direct, special, incidental, consequential or exemplary damages. This Limited Warranty is NOT applicable to end-user customers whose Comfort Products for rental purposes. This warranty applies only to end-user customers in the United States. All warranties are limited to the original purchaser for normal use. The weight capacity is defined as 150 pounds (unless otherwise specified). For claims or questions concerning this warranty, please visit [www.comfortproducts.net/support](http://www.comfortproducts.net/support). Or e-mail [customerservice@comfortproducts.net](mailto:customerservice@comfortproducts.net).

MODEL: 50-100505

VEUILLEZ CONSULTER [WWW.COMFORTPRODUCTS.NET](http://WWW.COMFORTPRODUCTS.NET) POUR OBTENIR LES INFORMATIONS RELATIVES À LA GARANTIE

Comfort Products garantit que ce produit sera exempt de défauts matériels et de vices de fabrication pendant un (1) an. Cette garantie de Comfort Products est destinée uniquement au client utilisateur final d'origine faisant l'acquisition du produit directement auprès d'un revendeur agréé par Comfort Products comme indiqué sur la reçue de vente d'origine. Le recours du client utilisateur final en vertu de cette garantie est limité à la réparation ou au remplacement de pièces au gré de Comfort Products dans un laps de temps raisonnable. Comfort Products se réserve le droit d'exiger le retour des pièces endommagées à Comfort Products sur demande. Le consentement de Comfort Products doit être obtenu avant l'exécution de tout travail en vertu de la garantie. Cette garantie s'applique dans des conditions normales d'utilisation et ne s'applique pas aux défauts causés par un mauvais montage ou démontage; défauts se produisant après l'achat d'un produit modifié, des dommages intentionnels, un incendie, une mauvaise utilisation, une négligence ou l'exposition aux éléments; coût de main d'œuvre ou de montage. Cette garantie ne couvre pas le coût de transport ou de main d'œuvre. Comfort Products ne sera en aucun cas tenu responsable à titre délictuel ou contractuel de toute perte ou dommages directs, spéciaux, accessoires, consécutifs ou exemplaires. Cette garantie limitée NE S'APPLIQUE PAS aux clients utilisateurs finaux qui utilisent Comfort Products à des fins de location. Cette garantie ne s'applique qu'aux clients utilisateurs finaux aux États-Unis. Toutes les garanties sont limitées à l'acheteur d'origine pour une utilisation normale. La capacité de poids est de 150 livres (sauf indication contraire). Pour toutes réclamations ou questions concernant cette garantie, veuillez consulter [www.comfortproducts.net/support](http://www.comfortproducts.net/support). E-mail : [customerservice@comfortproducts.net](mailto:customerservice@comfortproducts.net).

MODÈLE: 50-100505

VISITE [WWW.COMFORTPRODUCTS.NET](http://WWW.COMFORTPRODUCTS.NET) PARA INFORMACIÓN SOBRE LA GARANTÍA

Comfort Products garantiza por un (1) año que este producto no tiene defectos en materiales y mano de obra. Esta garantía es sólo para el cliente-usuario original final de Comfort Products que adquiere el producto directamente de los distribuidores autorizados de Comfort Products como lo demuestra el recibo de compra original. La solución al cliente usuario final de conformidad con esta garantía se limita a la reparación o sustitución de piezas a elección de Comfort Products en un plazo razonable de tiempo. Comfort Products se reserva el derecho de exigir que las partes dañadas sean devueltas a Comfort Products bajo petición. El consentimiento de Comfort Products debe obtenerse antes de que el trabajo de garantía se realice. Esta garantía se aplica bajo condiciones normales de uso y no sujetos a defectos causados por el montaje o desmontaje, defectos que surjan después de la compra debido a la modificación del producto, daño intencional, fuego, mal uso, negligencia, o la exposición a los elementos, o los costos laborales o de montaje. Esta garantía no cubre el costo del transporte o mano de obra. En ningún caso será responsabilidad de Comfort Products, y sea en agravio o contraída por cualquier pérdida, directa, especial, incidental, consecutiva o típica. Esta garantía limitada no es aplicable a los clientes usuarios finales que utilizan Comfort Products con fines de alquiler. Esta garantía se aplica sólo a clientes finales en los Estados Unidos. Todas las garantías están limitadas al comprador original para su uso normal. La capacidad de carga se define como 150 libras (a menos que se especifique lo contrario). Para reclamos o preguntas relacionadas con esta garantía, por favor visite [www.comfortproducts.net/support](http://www.comfortproducts.net/support). Correo electrónico [customerservice@comfortproducts.net](mailto:customerservice@comfortproducts.net).

MODELO: 50-100505

Comfort Products, Inc.  
P.O. Box 999  
Memphis, TN 38101  
[www.comfortproducts.net](http://www.comfortproducts.net)  
[customerservice@comfortproducts.net](mailto:customerservice@comfortproducts.net)

