

**OPERATION MANUAL  
FOR**

**MODEL: 60-0582**

**LEISURE MASSAGE CHAIR**

# Parts List & Assembly Instructions For

## Model: 60-0582 Leisure Massage Chair

### Parts List

Item	Description	Qty	Drawing
A	Leisure Chair Massage Cushion & Controller & Connector plug (# 61-0582IH) (# 61-0582CONTRL)	1	
B	Leisure Chair Base (# 61-0582C)	1	
C	Axletree (# 61-0582A)	1	
D	Connection Bolts (# 61-SCRWSET0582)	2	
E	Cotter Pins (# 61-SCRWSET0582)	2	
F	Leisure Chair Frame (# 61-0582D)	1	
G	Arm rests (# 61-ARM0582L / # 61-ARM0582R)	2	
H	Ottoman support post (# 61-0582POST)	1	
I	Ottoman base (# 61-0582M)	1	
J	Screws (# 61-SCRWSET0582)	8	
K	Flat washers (# 61-SCRWSET0582)	1	
L	Ottoman Cushion (# 61-0582N)	1	
M	Recliner Handle / Tension knob	2	
N	AC Adaptor (# 61-0582PH)	1	
O	Wrench (# 61-SCRWSET0582)	1	

Tools Required: Small hammer Wrench provided

#### Special Notes:

Please read the instruction sheets before assembly.  
Examine all packaging material before discarding carton.

### Step 1 Assembly Leisure Chair Base

- Insert Axletree (C) into center opening in chair base (B).

### Step 2 Install leisure chair frame

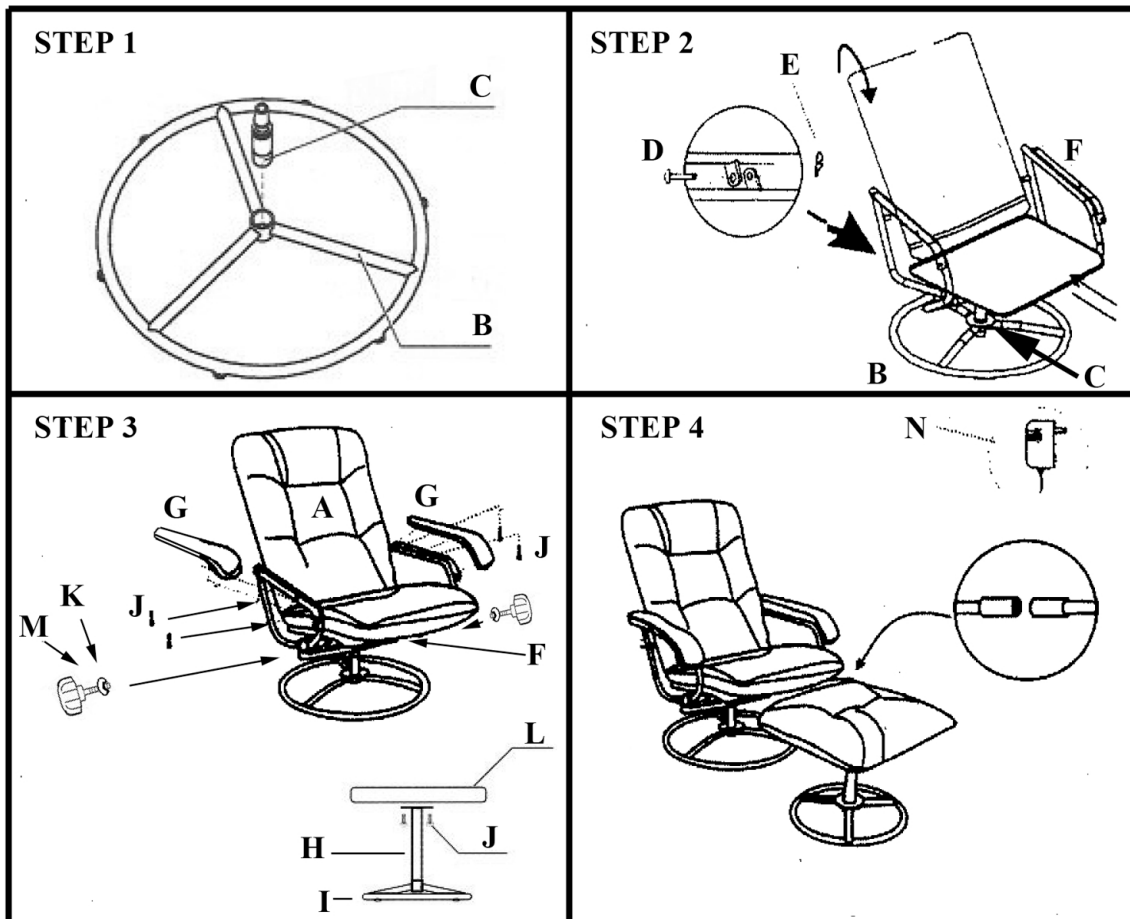
- Insert the bottom of the chair frame (F) onto the axletree (C). Bottom of leisure chair frame should fit snugly into the axletree interleave. Chair frame should be able to swivel freely after inserting.
- Align the eyelet holes on the back and seat cushions. Insert connection bolts (D) through eyelets. Make sure that connection bolts slide completely through the eyelets to connect the back and seat. Tap lightly with hammer if necessary to move the bolts through the eyelets.
- Insert and snap cotter pins (E) into connection bolt holes. The leisure chair back and seat frame should now fold up and down easily.

### Step 3 Assembly Armrests to main frame and assembly Massage Chair cushion

- Assemble armrests (G) to chair frame (F) with 4 screws (J).
- Install Leisure chair massage cushion (A) to chair frame (F).
- Insert flat washers (K) through Tension Knob (M). Install tension knob into side of chair frame.
- Insert ottoman post (H) to ottoman base (I).
- Insert ottoman cushion (L) with 4 screws (J).

### Step 4 Install AC adapter and connection

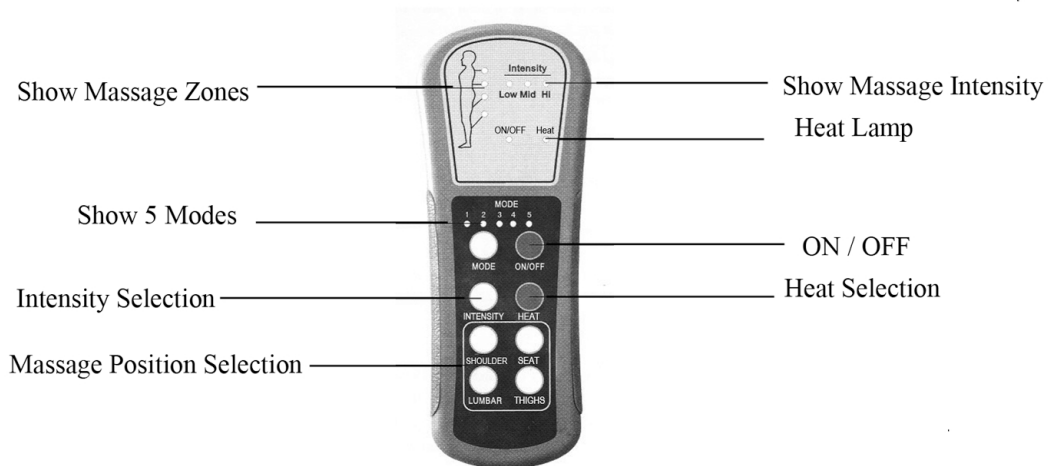
- Insert connection from adapter to connection wire on frame of leisure chair frame. Locate the connection wire next to the chair controller.
- Connect wire from ottoman cushion to leisure chair.
- Plug the adapter into 110V outlet.
- Turn on controller and begin use of massage chair.



# OPERATION INSTRUCTIONS

The massage chair is designed with 10 vibration motors and heat. Before using, please read the following operation instructions.

1. Power lamp:
  - a. Lamp will be light when AC adapter is plugged in, indicating the massage chair is in working state.
2. ON / OFF
  - a. Use this button to activate or stop the massage function. Press once to activate, the massage will be at Mid intensity level and 1 mode status. Press again to stop.
3. Massage Position
  - a. Use this button to select massage position. Press once to activate the relevant position. Press again to stop.
4. Intensity:
  - a. Use this button to select massage intensity.
  - b. Three levels include LOW, MEDIUM, and HIGH.
  - c. Red light will signify level being used.
5. Mode:
  - a. Use this button to select massage mode.
  - b. Five random modes.
  - c. Mode light will signify mode being used.
6. Heat
  - a. Use this button to select the heat function.



## SPECIFICATIONS

Model number: 60-0582

Power source: AC120V 60HZ

Power consumption: Approx 19.2W

Specifications rating: 30 minutes

## **Important Safety Instructions**

- ※ Do not stand on the chair. Do not use the chair as stepladder.
- ※ Use this product only for seating one person at a time.
- ※ Do not use this chair unless all bolts, screws and knobs are firmly secured.
- ※ If parts are missing, broken, damaged or worn, stop use of the product until repairs are made, using factory authorized parts.
- ※ Always unplug the massage chair from the power source after using and before cleaning.
- ※ This appliance must never be left unattended when plugged in. Unplug from power source when not in use and when taking off or putting on attachments.
- ※ If you have any health concerns regarding this item please contact your Doctor immediately.

## **Maintenance**

- ※ Store in a safe cool and dry area.
- ※ Avoid contact with sharp objects.
- ※ At least every 4 months, check all bolts, screws and knobs to be sure they are tight.

## **Cleaning Instructions:**

- ※ Make sure the unit is disconnected from the power source. Clean with damp towel and a mild detergent.  
DO NOT submerge unit in liquids to clean.

## **Replacement Parts**

If you are missing any of the parts above, or if you have a damaged part, please visit [www.comfortproducts.net/support](http://www.comfortproducts.net/support). Simply Complete the information, and the part you need. The part will normally ship within 48 hours.

## **Customer Service**

For fastest service, please visit our website at [www.comfortproducts.net/support](http://www.comfortproducts.net/support).

e-mail: [customerservice@comfortproducts.net](mailto:customerservice@comfortproducts.net). Keep your sales receipt as documentation of your ownership.

## **Limited Warranty**

Comfort Products warrants this product to be free from defects in material and workmanship for 1 year. This warranty is made by Comfort Products only to the original end-user customer acquiring the product directly from Comfort Products' authorized dealers as shown by the original sales receipt. The end-user customer remedy pursuant to this warranty is limited to repair or replacement of parts at Comfort Products' option within a reasonable amount of time. Comfort Products reserves the right to require damaged parts to be returned to Comfort Products upon request. Natural markings such as scars, brands, grain, variations, wrinkles, color variations, etc. will be considered normal characteristics, and not construed as defects. Comfort Products cannot warrant leather against scratching or scuffing, as all leather is subject to blemishes with use. Consent from Comfort Products must be obtained before any warranty work is performed. This warranty shall not apply to any products which must be replaced because of normal wear and tear, negligence, abuse, or "accident", shipping damage or product use and installation other than in accordance with written instructions or warnings. It will also not apply when a product has been modified or altered, repaired, refurbished by someone other than Comfort Products or because of natural variations over which Comfort Products has no control. When repairing or replacing a defective product, Comfort Products does not guarantee matching color, grain, texture or dye lots. This warranty does not cover the cost of transportation or labor. In no event shall Comfort Products be liable in either tort or contract for any loss or direct, special, incidental, consequential or exemplary damages. This Limited Warranty is NOT applicable to end-user customers who use Comfort Products for rental purposes. This warranty applies only to end-user customers in the United States. All warranties are limited to the original purchaser for normal use which is defined as a standard work week of 40 hours by a person weighing 225 lbs. or less (unless otherwise specified). For claims or questions concerning this warranty, please visit [www.comfortproducts.net/support](http://www.comfortproducts.net/support). e-mail [customerservice@comfortproducts.net](mailto:customerservice@comfortproducts.net).

MODEL: 60-0582.

Comfort Products, Inc.

P.O. Box 999, Memphis, TN 38101

e-mail: [customerservice@comfortproducts.net](mailto:customerservice@comfortproducts.net), [www.comfortproducts.net](http://www.comfortproducts.net)