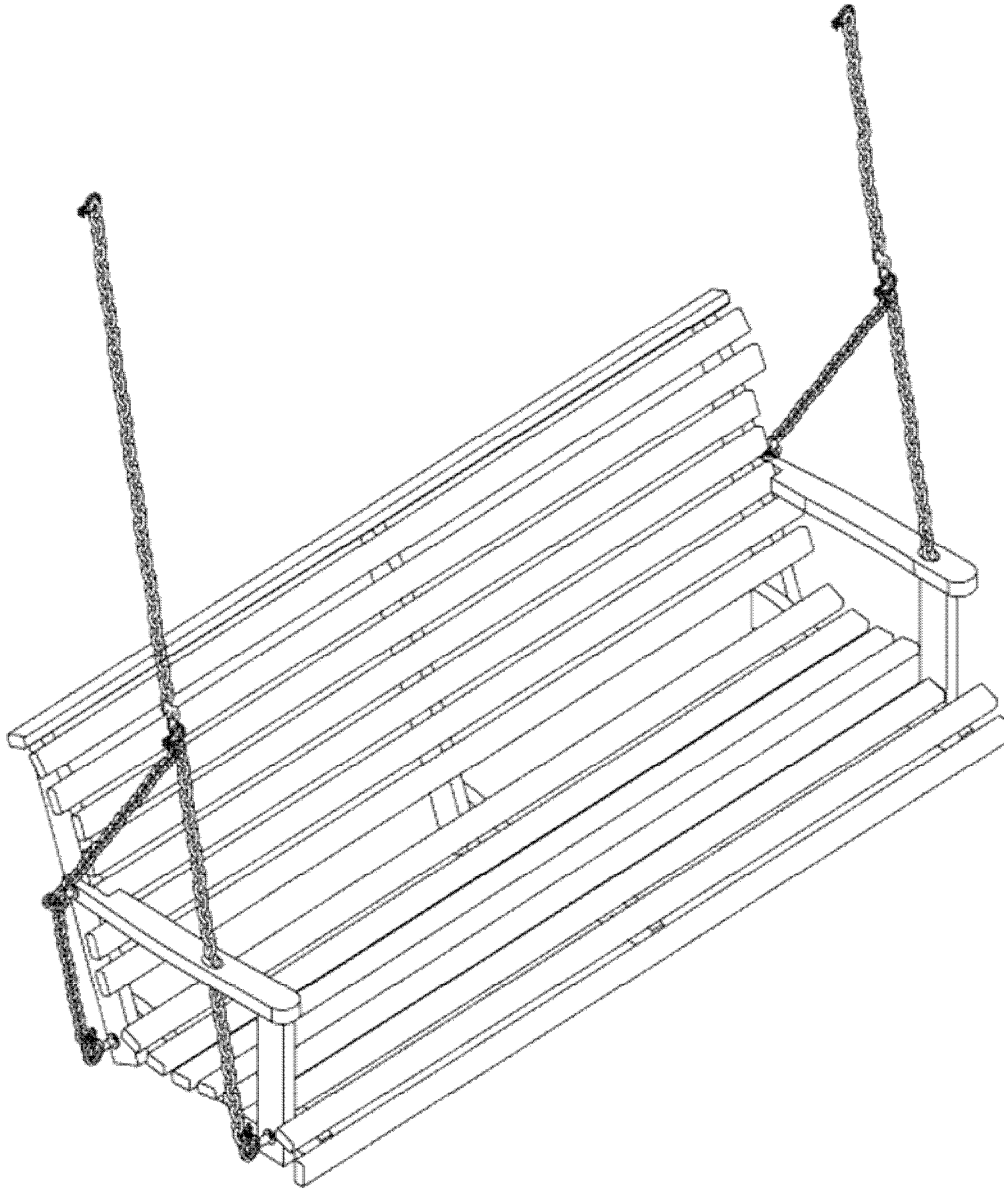


ASSEMBLY INSTRUCTIONS



Description : 2 SEAT PORCH SWING
Item No : SW-53941

BEFORE ASSEMBLY

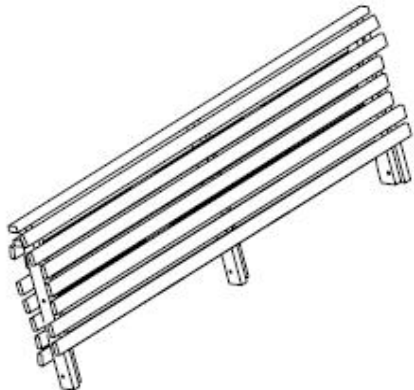
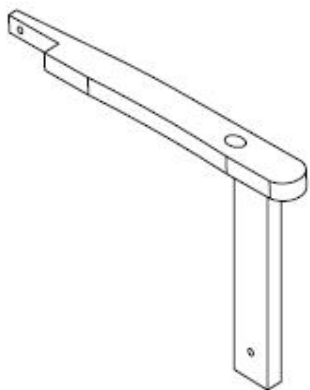
Thank you for purchasing this quality product. This product has been designed for easy assembly and constructed for durability. All parts were checked prior to packaging to insure quality. Prior to beginning assembly, however, make sure all parts and hardware are included and free of obvious defect. If a part is missing or defective, please contact the store where purchased. If hardware is missing, or you need help with assembly, please call toll free 888-944-8396.

IMPORTANT NOTE:

- Place all wooden parts on a clean and smooth surface such as a rug or carpet to avoid the parts from being scratched.
- Remove all wrapping material, including staples & packing straps before you start to assemble.
- DO NOT tighten all screws and bolts until completely assembled.
- Keep all hardware parts out of reach of children.

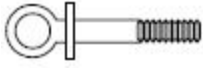





PART LIST

When unpacking, please be careful not to discard any parts with the packaging. Before continuing, please make sure you have the following parts:

N O	Description	Qt y	Sketch	N O	Description	Qt y	Sketch
A	Back frame & Seat frame	1		B	Arm frame (L&R)	2	

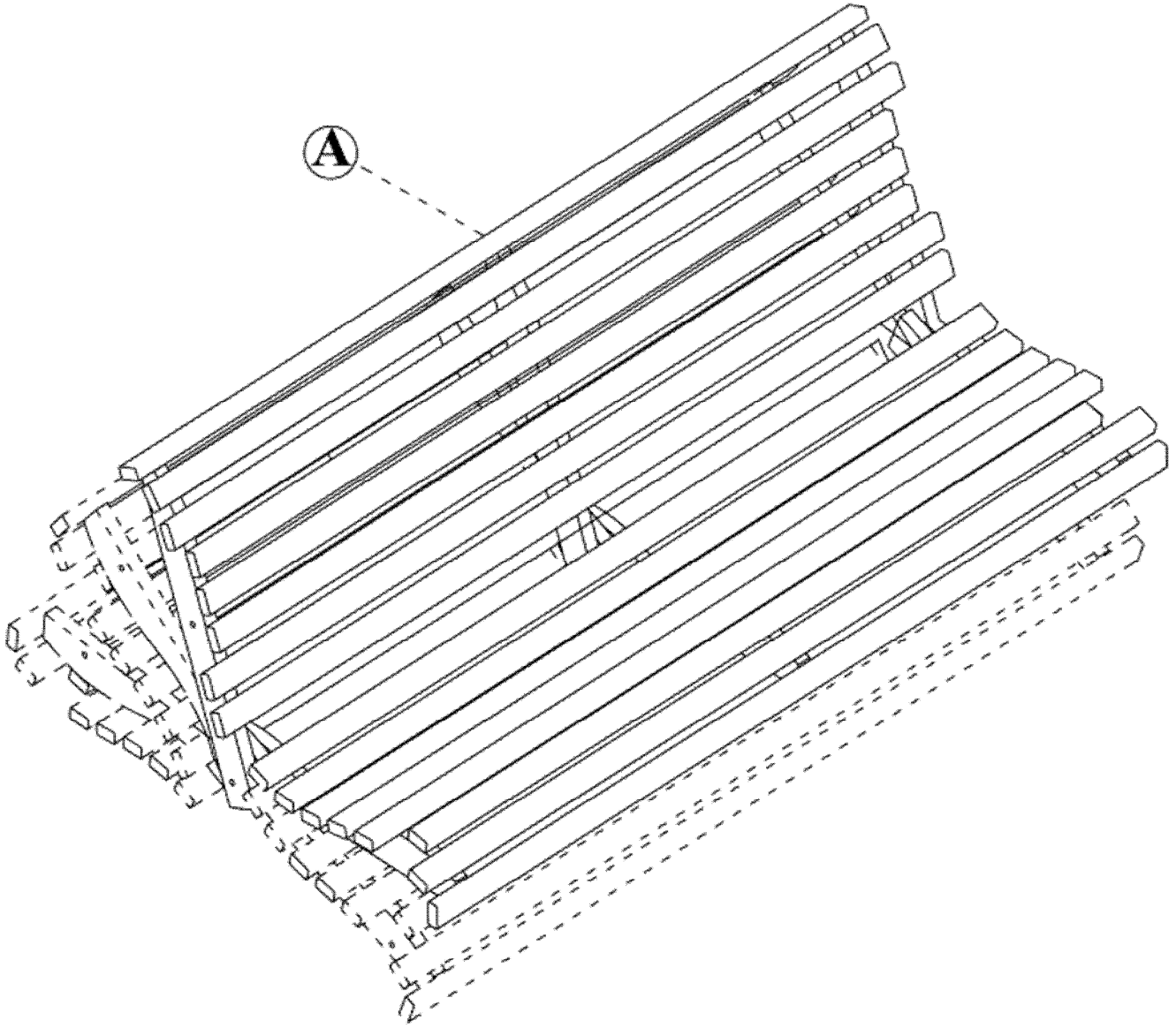
HARDWARE LIST

When unpacking, please be careful not to discard any parts with the packaging. Before continuing, please make sure you have all of the following hardware:

N O	Description	Qt y	Sketch	NO	Description	Qty	Sketch
1	Bolt (M8x65mm)	4		2	Hexagon nut (M8x 13mm)	4	
3	Lock washer (Ø8.5x13mm)	4		4	Flat washer (Ø8.5x19mm)	4	
5	Wrench (13mm)	1					
6	Chains (φ4x1220mm) Chains (6.1) (φ4x865mm) Chains (6.2) (φ4x915mm)	2					

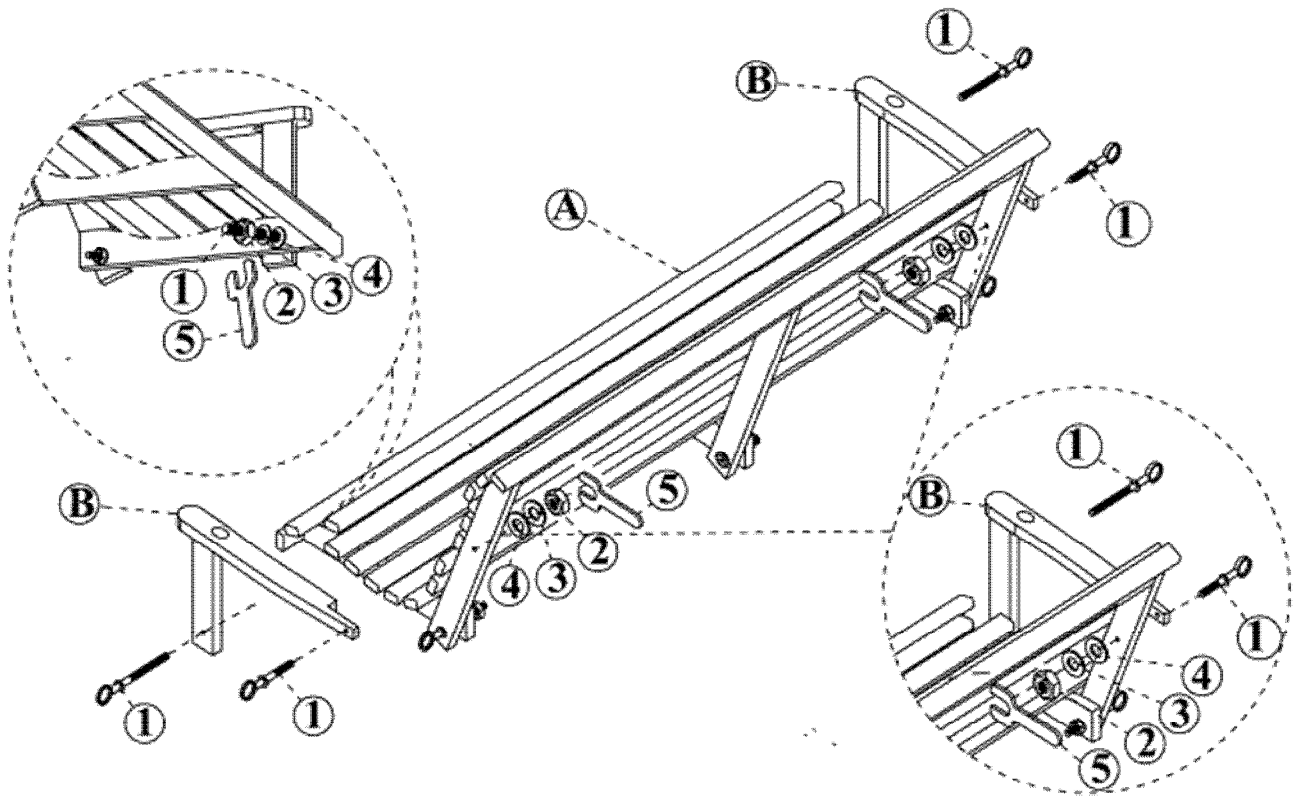
STEP 1

Carefully open seat frame and back frame (A).



STEP 2

Attach arm frames (B) to seat frame and back frame (A) with bolts (1) and nuts (2), lock washers (3) and flat washer (4). Tighten with the wrench (5) as shown below.



STEP 3

Attach chains (6) to seat frame and back frame (A) as shown below.

