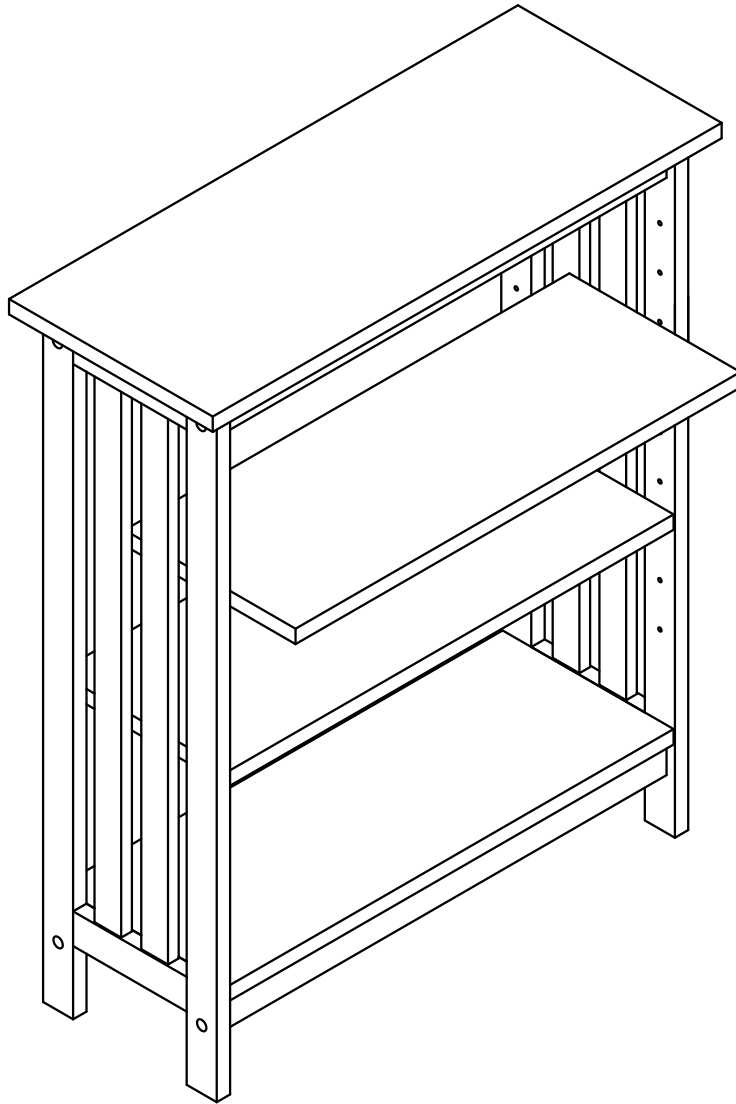


ASSEMBLY INSTRUCTIONS



Description : MISSION BOOKCASE

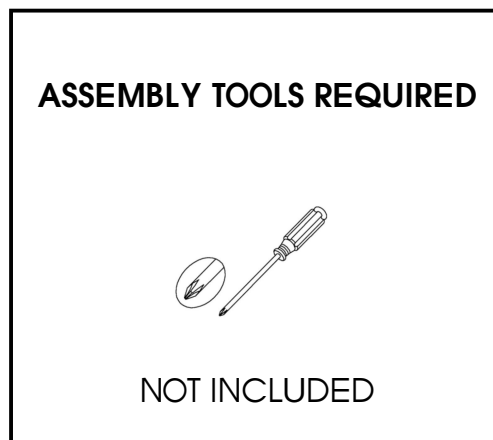
Item No. : SH-3630M

BEFORE ASSEMBLY

Thank you for purchasing this quality product. This product has been designed for easy assembly and constructed for durability. All parts were checked prior to packaging to insure quality. Prior to beginning assembly, however, make sure all parts and hardware are included and free of obvious defect. If a part is missing or defective, please contact the store where purchased. If hardware is missing, or you need help with assembly, please call toll free 888-944-8396.

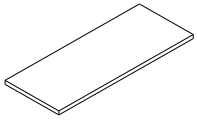
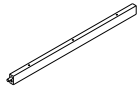
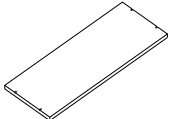
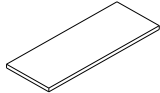
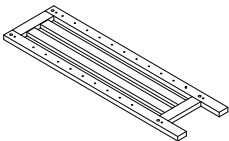
IMPORTANT NOTE:

- Place all wooden parts on a clean and smooth surface such as a rug or carpet to avoid the parts from being scratched.
- Remove all wrapping material, including staples & packing straps before you start to assemble.
- DO NOT tighten all screws and bolts until completely assembled.
- Keep all hardware parts out of reach of children.



PART LIST

When unpacking, please be careful not to discard any parts with the packaging. Before continuing, please make sure you have the following parts:




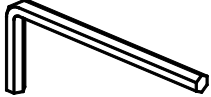
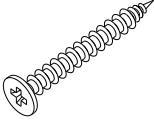
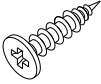

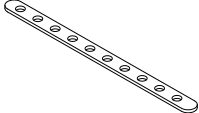
NO	Description	Qty	Sketch	NO	Description	Qty	Sketch
A	Top Panel	1		B	Apron	4	
C	Adjustable shelf	2		D	Bottom Shelf	1	
E	Side frame	2					

ITEM NO.: SH-3630M
REVISED APR 27, 2013

Printed in Vietnam

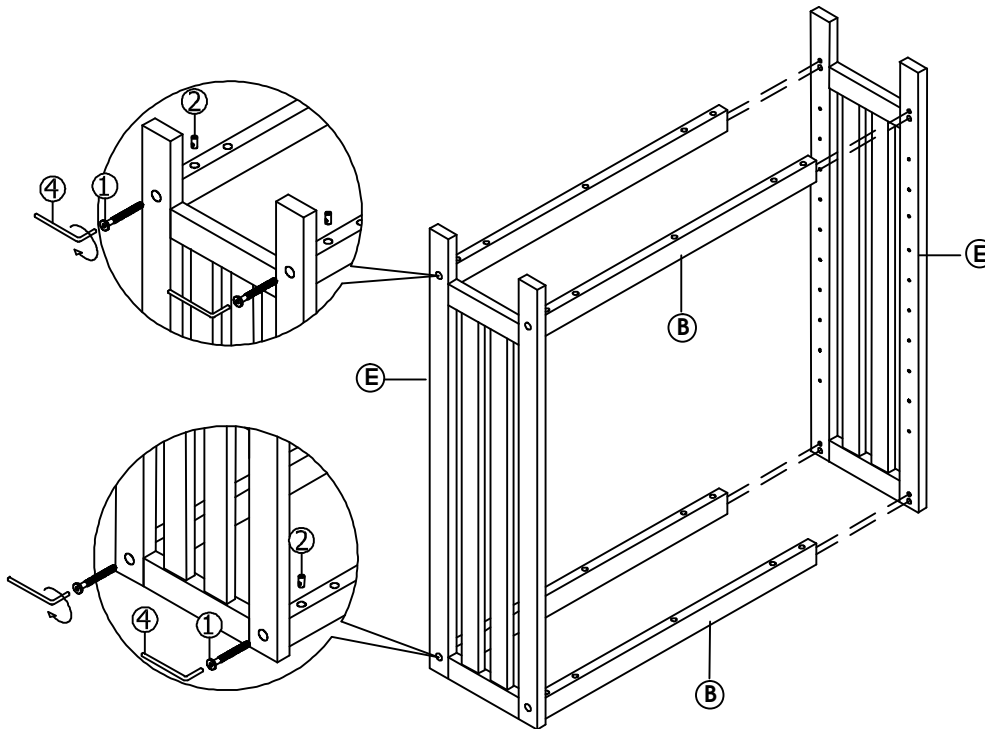
HARDWARE LIST

When unpacking, please be careful not to discard any parts with the packaging. Before continuing, please make sure you have all of the following hardware:

NO	Description	Qty	Sketch	NO	Description	Qty	Sketch
1	bolt (M6x50mm)	8		2	Barrel nut (Ø6x13mm)	8	
3	Wood button (Ø14mm)	8		4	Allen Key (4x80mm)	1	
5	Long Screw (M4x30mm)	13		6	Short Screw (M4x15mm)	10	
7	Bracket	8		8	Steel band	1	

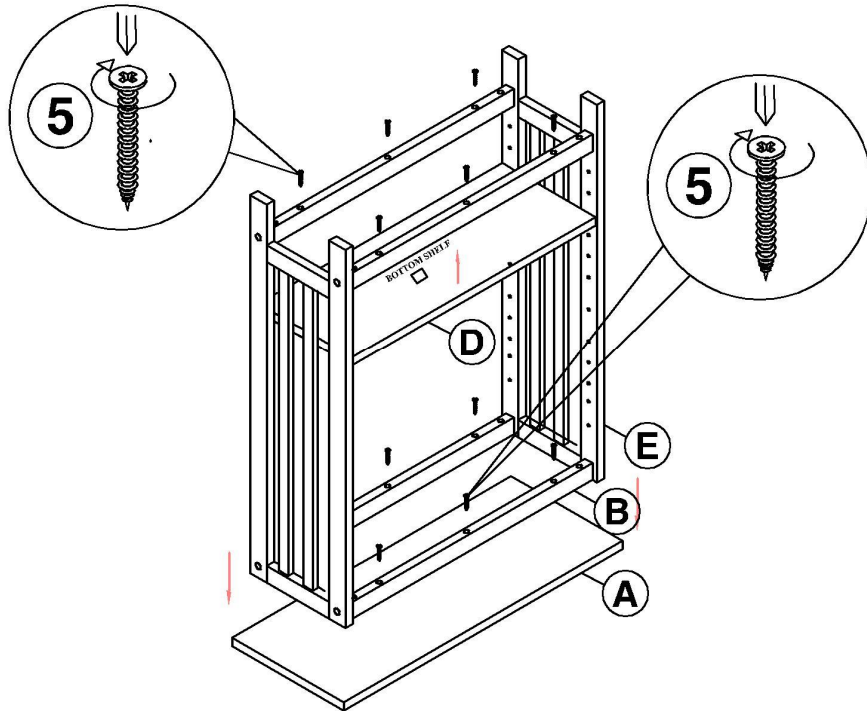
STEP 1

Attach Aprons (B) to the side frames (E) with bolts (1) and Barrel nuts (2). Tighten with Allen key (4)



STEP 2

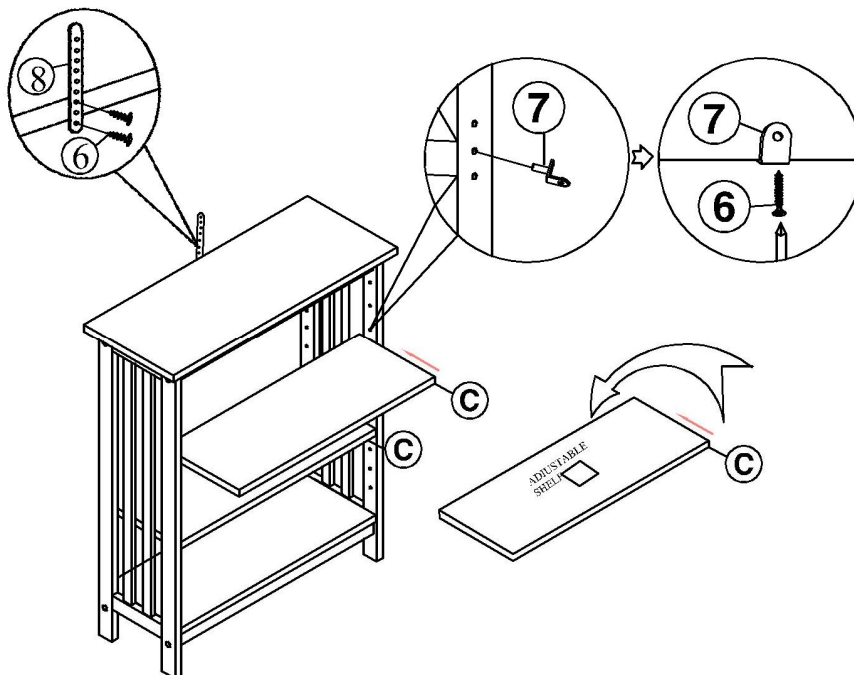
Attach Bottom shelf (D) & Top (A) to unit (from Step 1) with Screws (5) as shown below. Tighten with a screwdriver.



STEP 3

Attach brackets (7) to the unit. Insert adjustable shelves (C) and attach with screws (6) as shown below.

Attach Steel band (8) to the unit with Screws (6). Tighten with a screwdriver.



STEP 4

Attach the Steel band (8) to the wall with the screws (5) as shown below (to secure the product and prevent tipping). Tighten with a screwdriver.
Then put wood buttons (3) over bolts to cover them.

