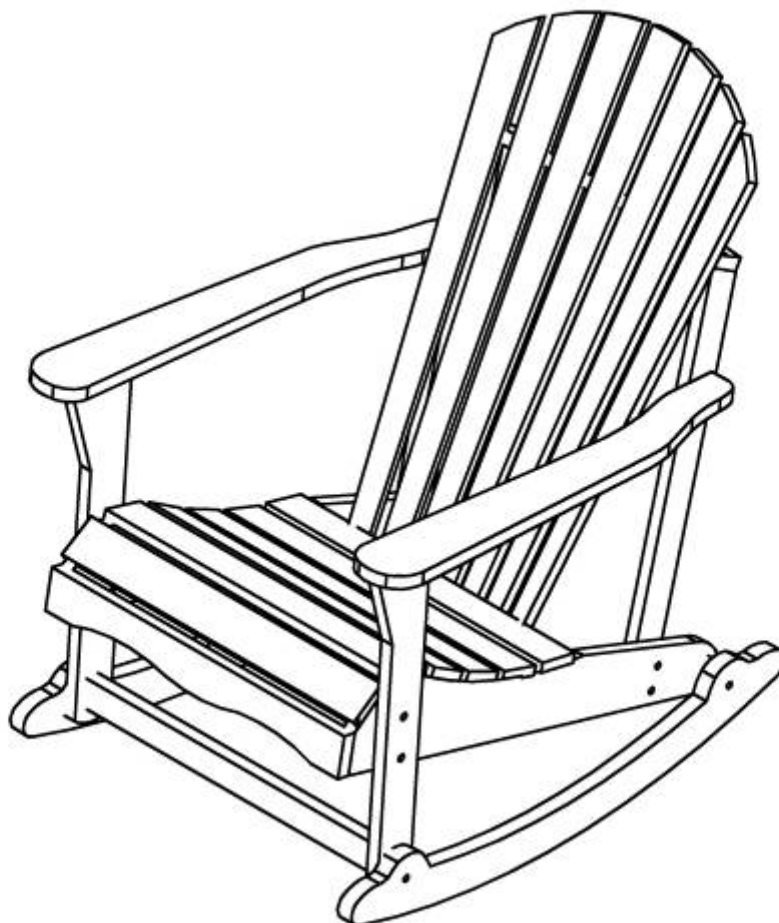


ASSEMBLY INSTRUCTIONS



Description : ADIRONDACK ROCKER
Item No. : R-52581

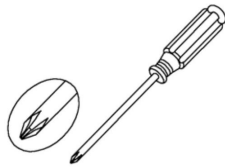
BEFORE ASSEMBLY

Thank you for purchasing this quality product. This product has been designed for easy assembly and constructed for durability. All parts were checked prior to packaging to insure quality. Prior to beginning assembly, however, make sure all parts and hardware are included and free of obvious defect. If a part is missing or defective, please contact the store where purchased. If hardware is missing, or you need help with assembly, please call toll free 888-944-8396.

IMPORTANT NOTE:

- Place all wooden parts on a clean and smooth surface such as a rug or carpet to avoid the parts from being scratched.
- Remove all wrapping material, including staples & packing straps before you start to assemble.
- DO NOT tighten all screws and bolts until completely assembled.
- Keep all hardware parts out of reach of children.

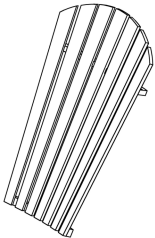

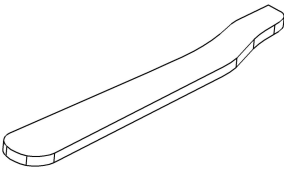

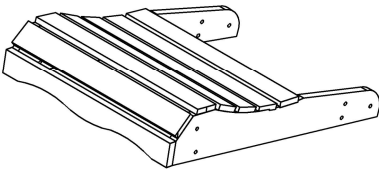
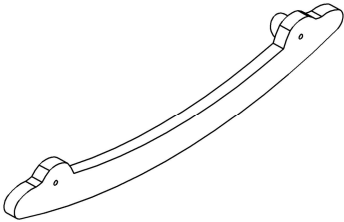
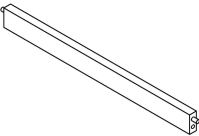
ASSEMBLY TOOLS REQUIRED



NOT INCLUDED







PART LIST

When unpacking, please be careful not to discard any parts with the packaging. Before continuing, please make sure you have the following parts:

NO	Description	Qty	Sketch	NO	Description	Qty	Sketch
A	Back frame	1		B	Front leg (L-R)	2	
C	Arm (L-R)	2		D	Supporter (L-R)	2	
E	Seat frame	1		F	Runner	2	
G	Crossbar	1					

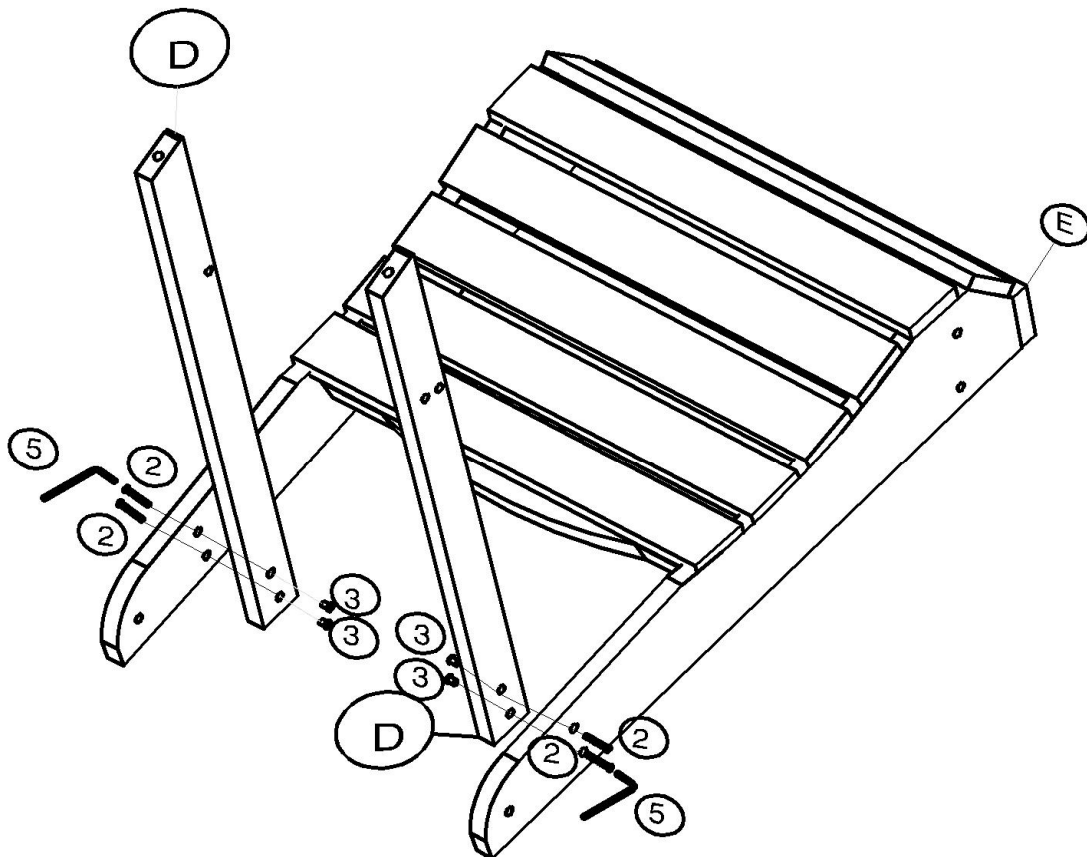
HARDWARE LIST

When unpacking, please be careful not to discard any parts with the packaging. Before continuing, please make sure you have all of the following hardware:

NO	Description	Qty	Sketch	NO	Description	Qty	Sketch
1	Long bolt (M6x60mm)	6		2	Short bolt (M6x35mm)	12	
3	Parasgute Canopy (M6x13mm)	10		4	Screw (M4x15mm)	4	
5	Allen key (4x80mm)	2		6	Flat Washer (φ6.5x19mm)	4	

STEP 1

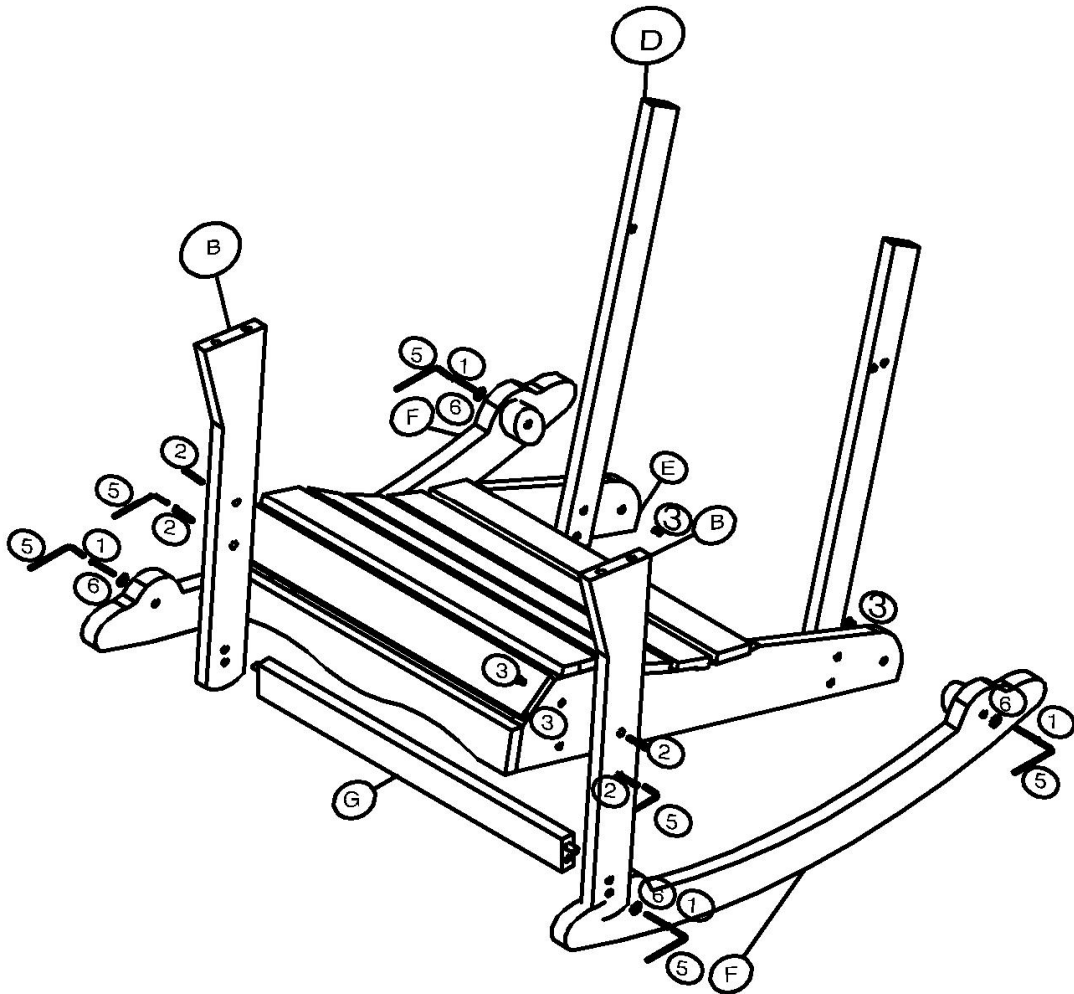
Attach supporters (D) to the seat (E) with bolts (2) and Canopy (3). Tighten with Allen key (5).



STEP 2

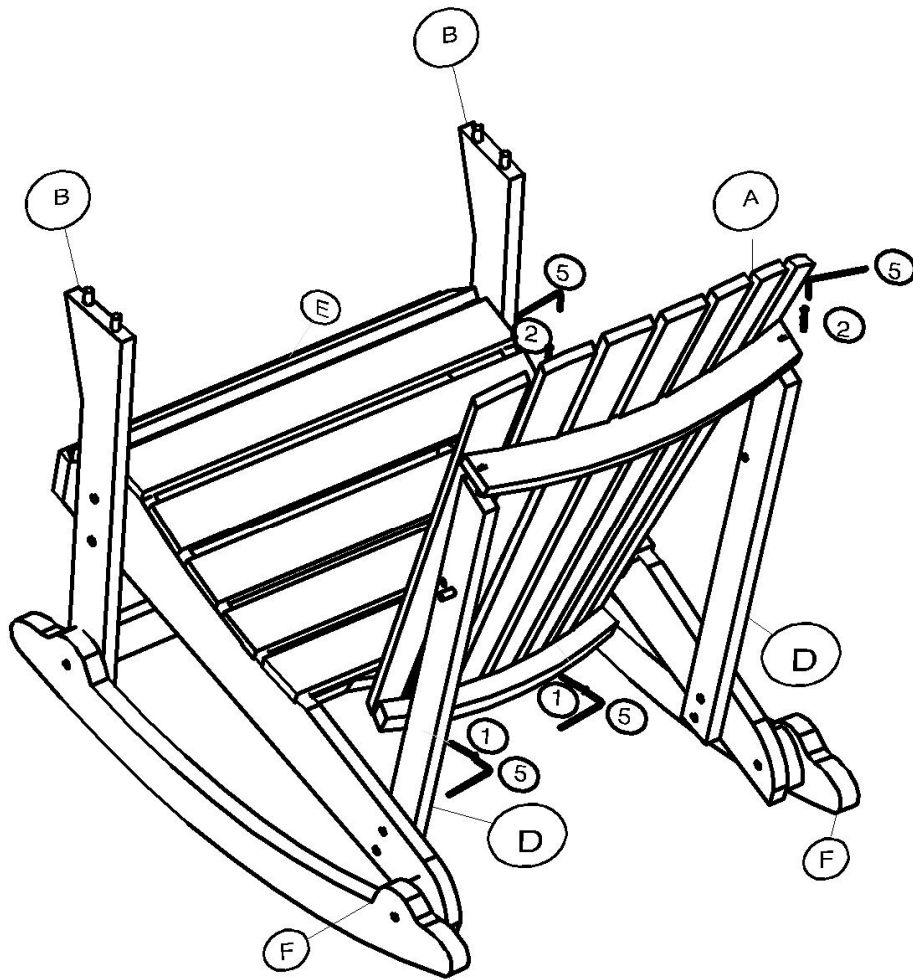
Attach front legs (B) to seat frame (E) and crossbar (G) with bolts (2) and canopy (3).

Note: Do not fully tighten the front legs until after the runners are attached. Attach runners (F) to front legs (B) with bolts (1) and washers (6). Attach runners (F) to seat frame (E) with bolts (1), washers (6), and canopy (3) as shown below. Tighten with Allen key (5).



STEP 3

Attach back (A) to the seat (E) and supporters (D) with bolts (1) and (2) as shown below. Tighten with Allen key (5).



STEP 4

Attach arms (C) to supporters (D) with bolts (2) as shown below. Tighten with Allen key (5). Attach arms (C) to front legs (B) with screws (4) as shown below. Tighten with a screwdriver

