

# BOCA

---

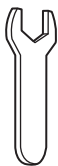
## ASSEMBLY INSTRUCTIONS

U.S. PATENT NUMBER D635,793 S

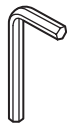
TOLL FREE 1-877-693-8866 LIFESTYLE SOLUTIONS

## PARTS AND HARDWARE

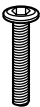
Avoid using sharp objects such as a knife to cut open packing as you may accidentally damage the upholstery.



Mini Spanner  
1x



Allen Key  
1x



Long Bolt  
12x



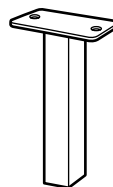
Short Bolt  
2x



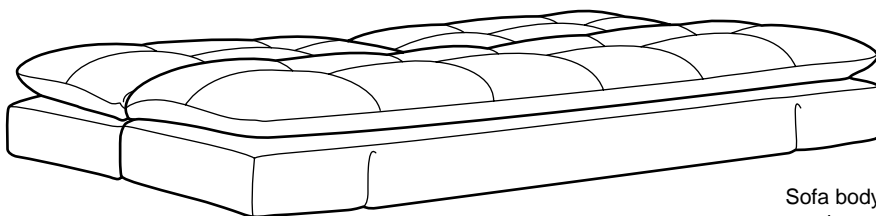
Washer  
12



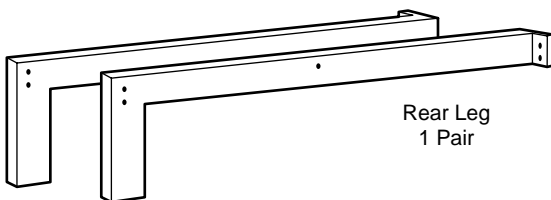
Nut  
4



Support Leg  
1x



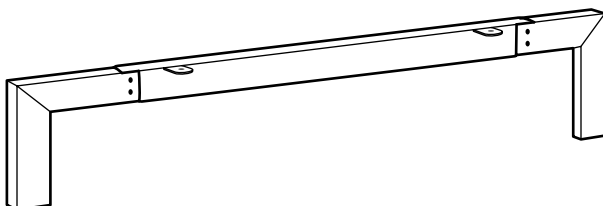
Sofa body  
1x



Rear Leg  
1 Pair



Support Rail  
1x



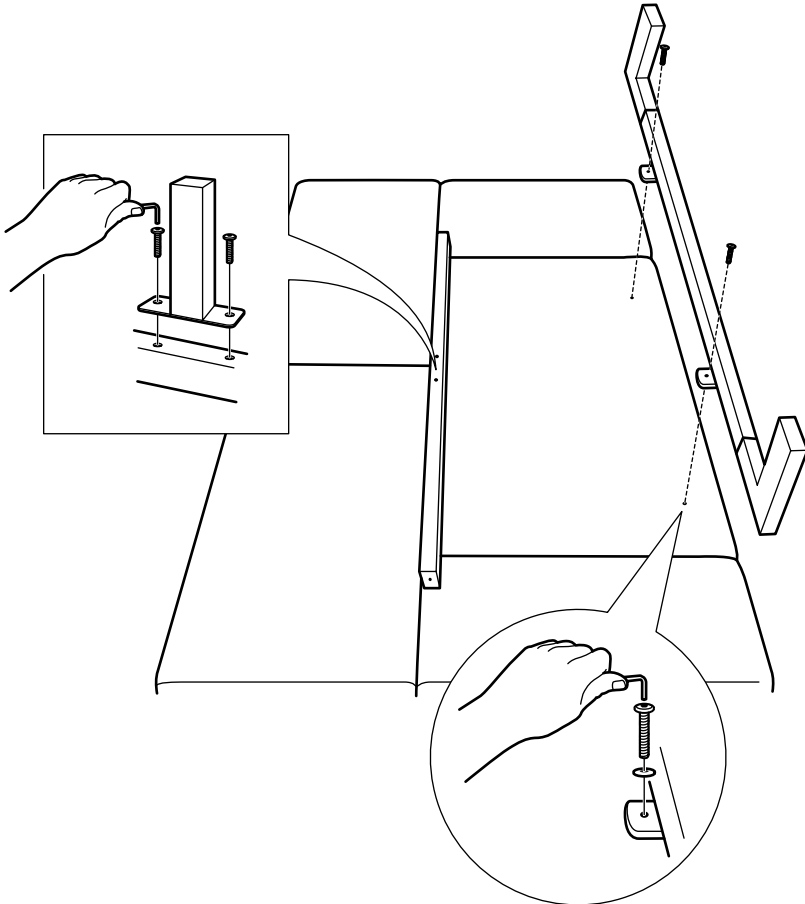
Front Leg  
1x

# ASSEMBLY INSTRUCTIONS

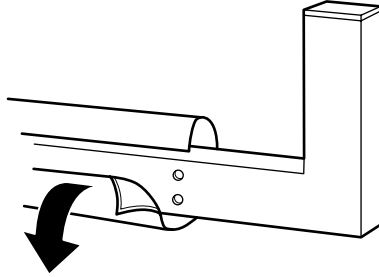
**CAUTION:** *At least two adults are required to safely complete performing this task. Other lifting attempts may risk back injury due to large and heavy part(s).*



- 1** Carefully place sofa body unit on a clean flat surface with bottom side facing up.
- 2** Align front leg as shown below and secure a long bolt and washer each using the provided Allen key.
- 3** Secure support leg onto pre-assembled center metal rail with two short bolts until firmly tight.

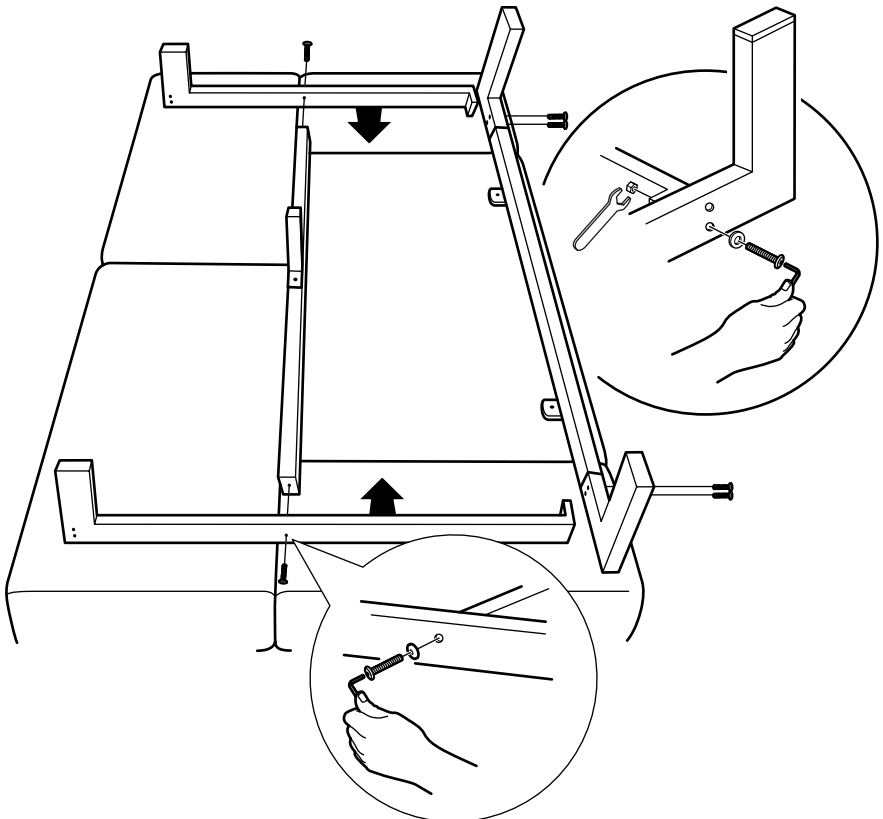


**4** Temporary remove cover to expose hidden pre-drilled holes on front leg.

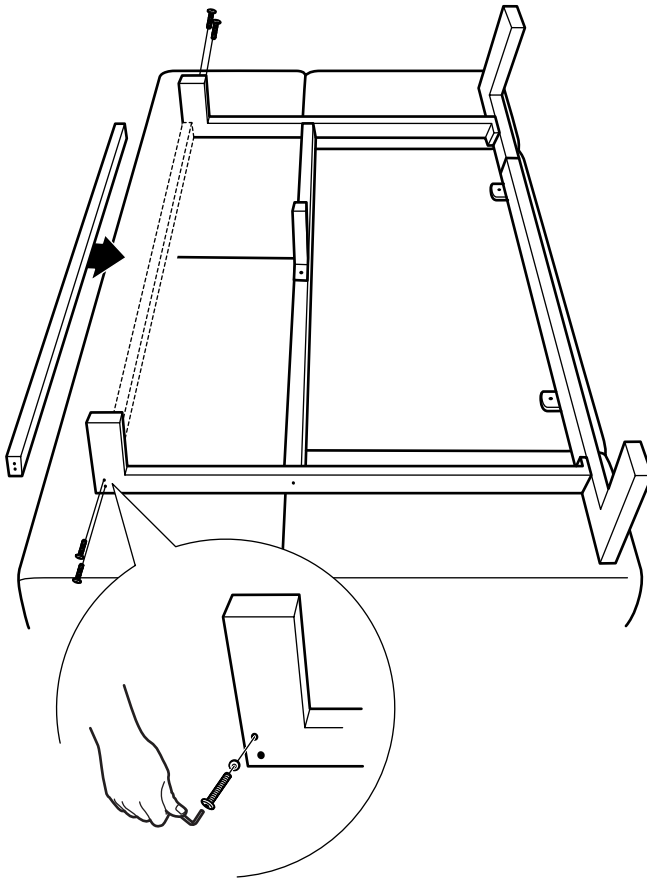


**5** Place both rear legs in the correct orientation and secure front leg into each with two long bolts and washers with nuts from inside.

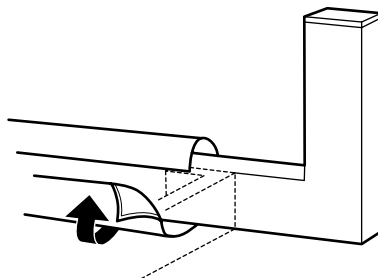
**6** Secure a long bolt and washer for rear legs to connect to center metal rail. Do not tighten completely yet.



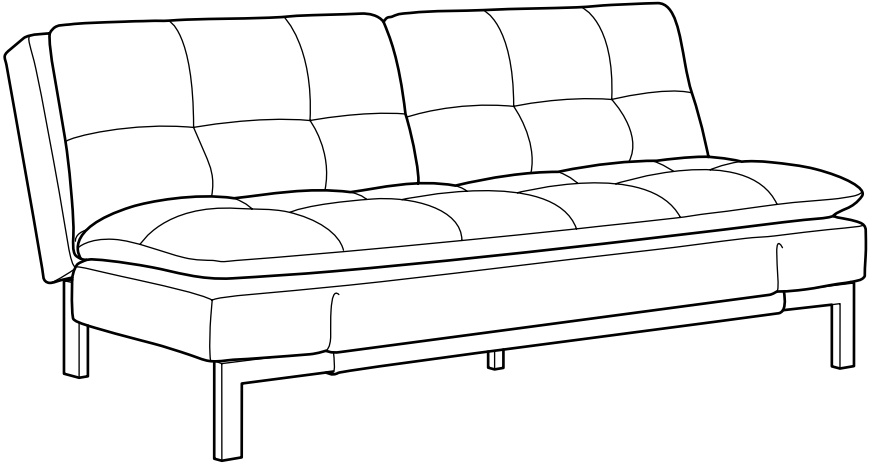
- 7** Align support rail into position and secure with two long bolts and washer at each ends. Finally, completely tighten all bolts.



- 8** Stretch and pull the fabric cover evenly all around the legs before securing velcro. Repeat if necessary for better fit.



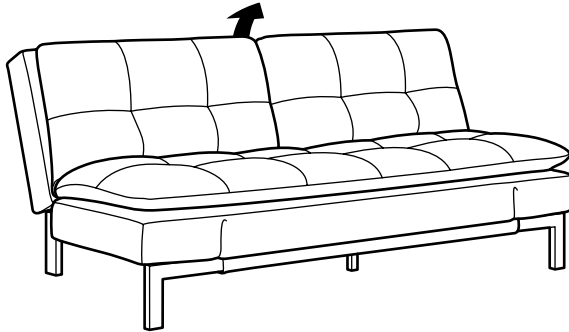
- 9** Carefully lift and turn assembled unit onto its legs. A flat configuration of the sofa indicates that it is in bed position (refer Operating Your Unit on page 7).



## OPERATING YOUR UNIT

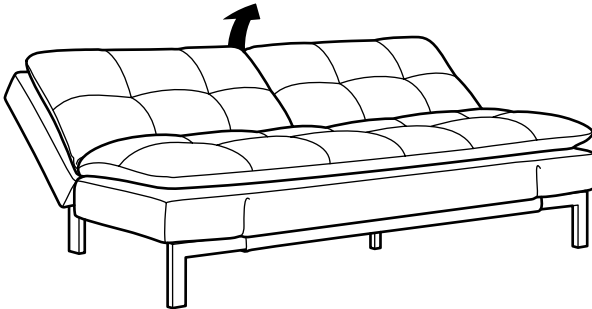
### Converting to Sofa

Standing at the side of the unit (from bed position), lift backrest to the desired position and secure in place by releasing to the sound of a click.



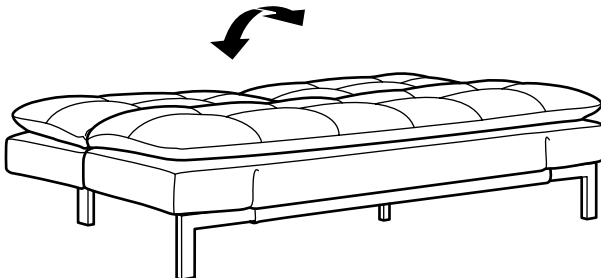
### Converting to Lounger

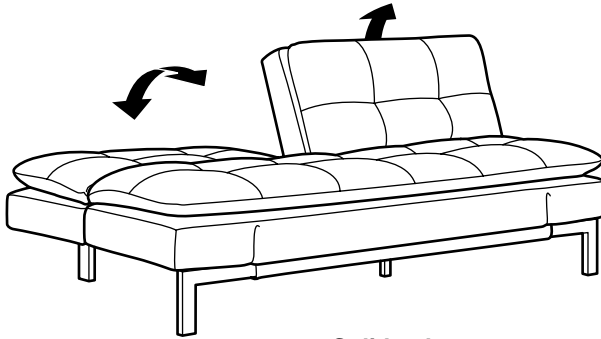
In bed position, lift backrest upwards with each click sound until the desired lounge position is reached.



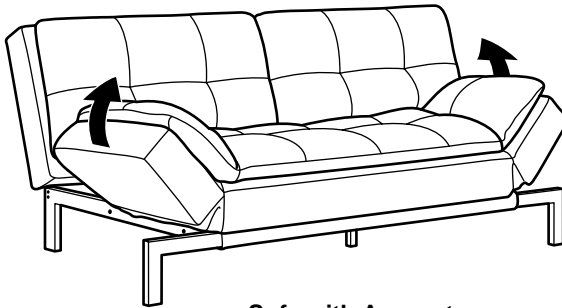
### Converting to Bed

From sofa or lounge position, lift backrest all the way upwards until the last click is heard which unlocks the mechanism and carefully return to a flat position.

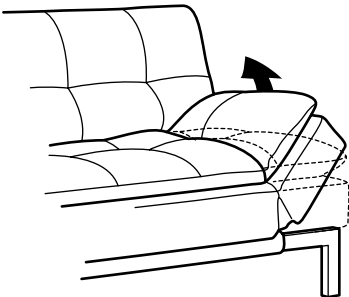




**Splitback**



**Sofa with Armrest**



**Adjusting Armrest Positions**

Standing in front of the unit, lift armrest to the desired position and secure in place by releasing to the sound of a click.

To return to a flat position, lift armrest all the way up to the end, releasing the locking mechanism and carefully return to a flat position.

**IMPORTANT**

During conversion, ensure lifting is done on bottom of armrest.