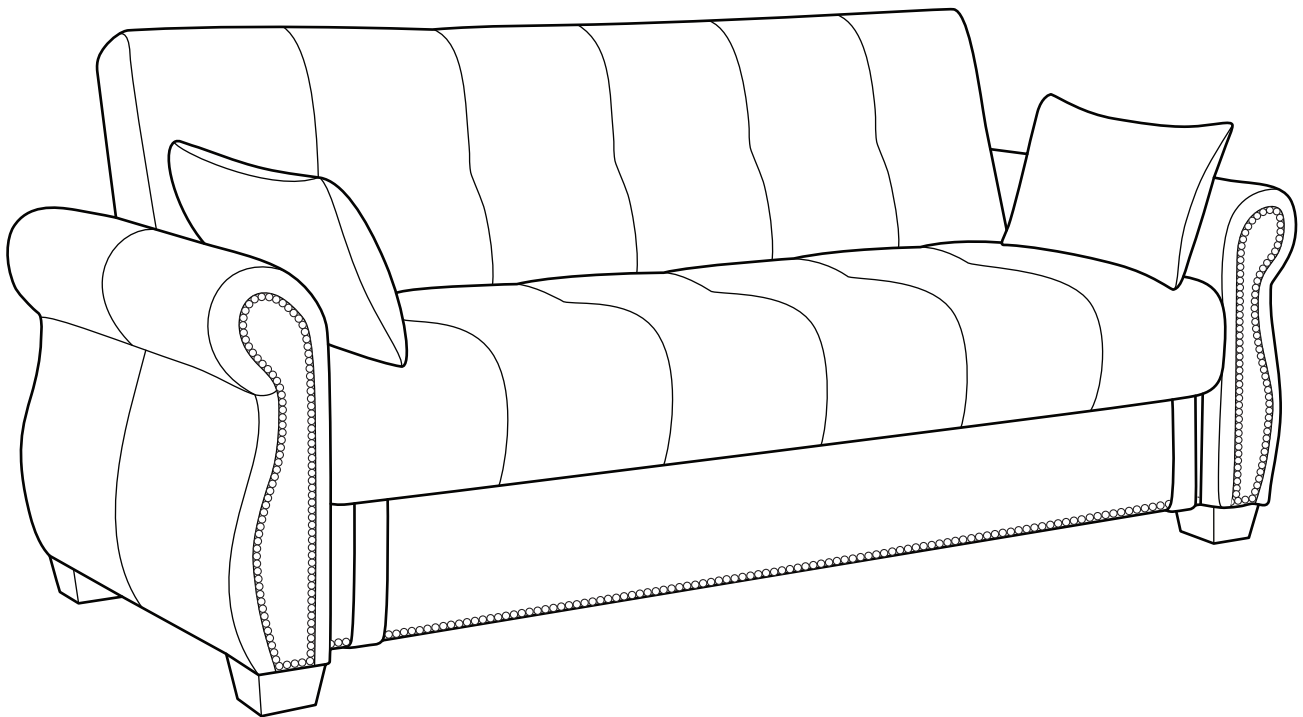




Dream Convertibles



# AVANZO

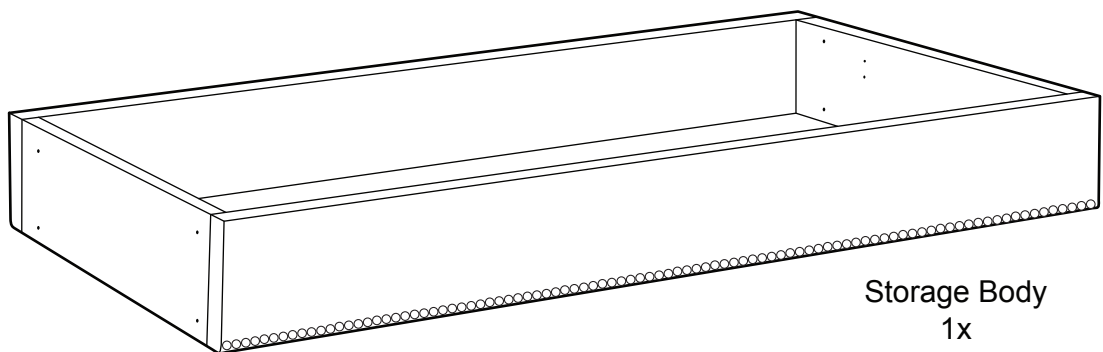
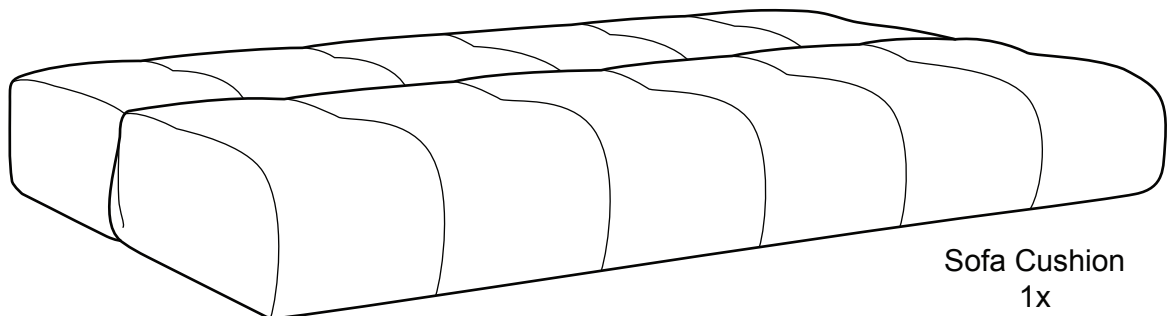
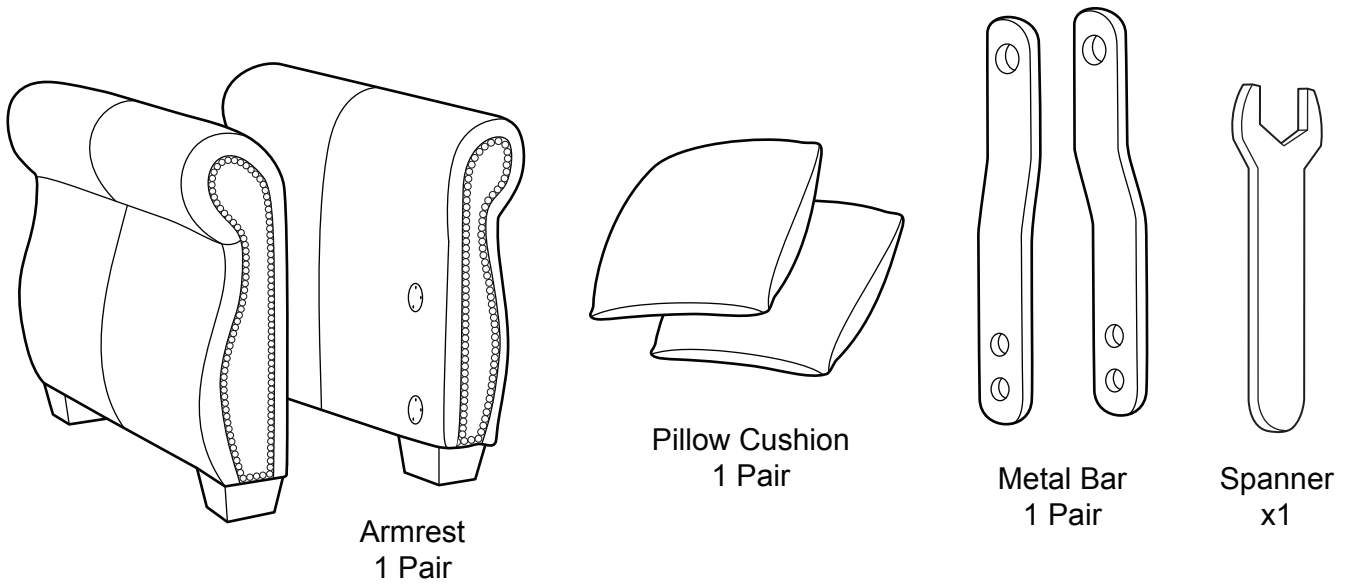
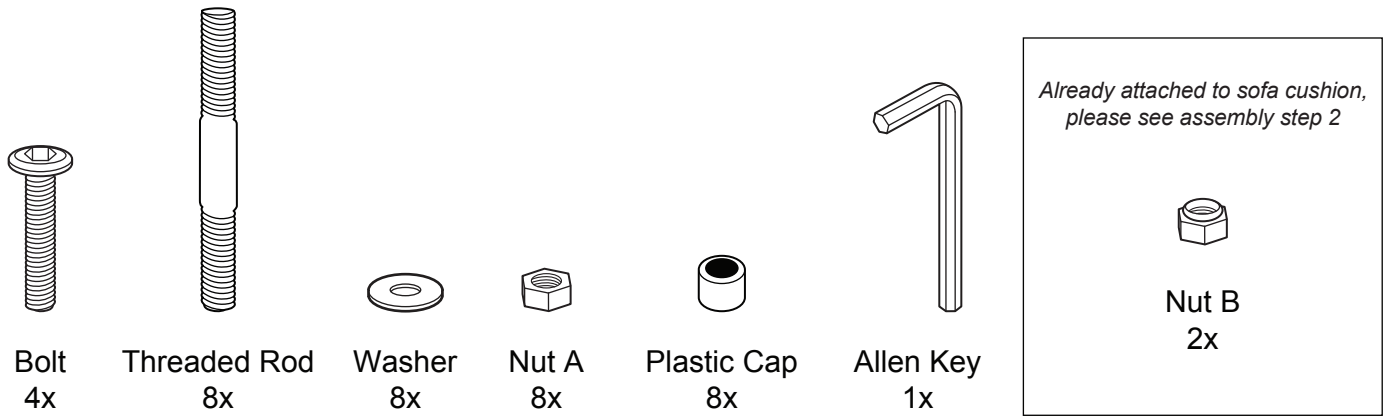
---

## ASSEMBLY INSTRUCTIONS

TOLL FREE 1-877-693-8866 LIFESTYLE SOLUTIONS

# PARTS AND HARDWARE

Avoid using sharp objects such as a knife to cut open packing as you may accidentally damage the upholstery.

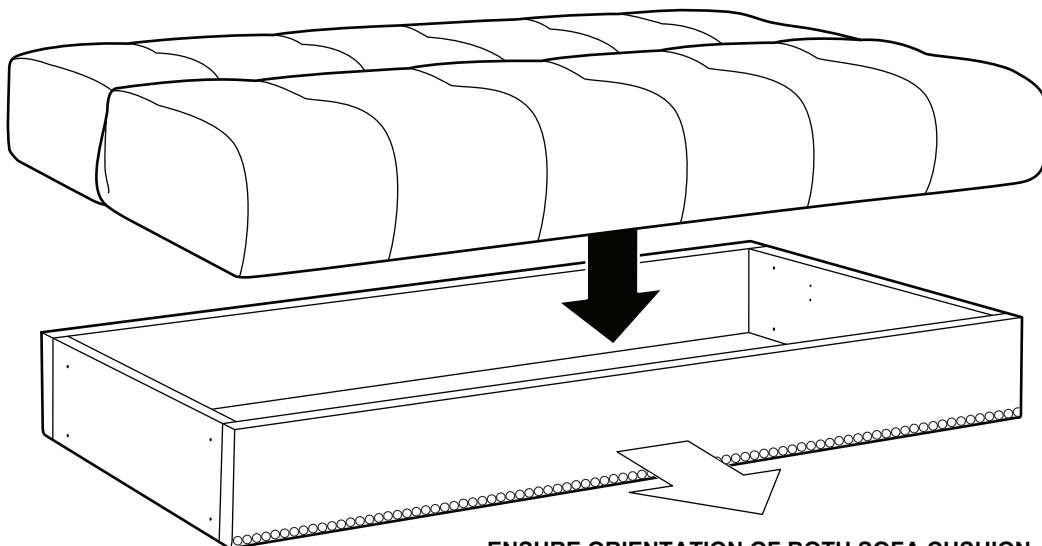


# ASSEMBLY INSTRUCTIONS

**CAUTION:** *At least two adults are required to safely complete performing this task.  
Other lifting attempts may risk back injury due to large and heavy part(s).*

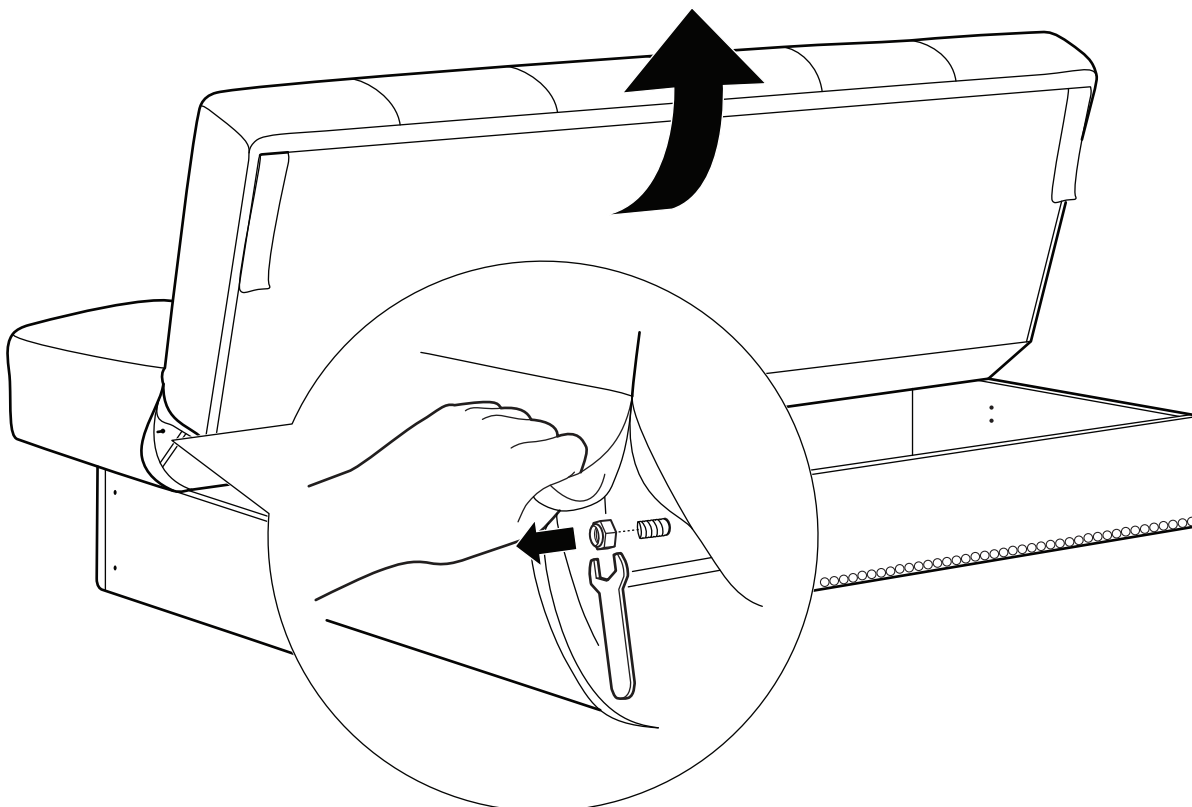


- 1** Lay storage body unit on a clean flat surface cleared for assembly.  
Carefully align sofa cushion on top of storage body unit.

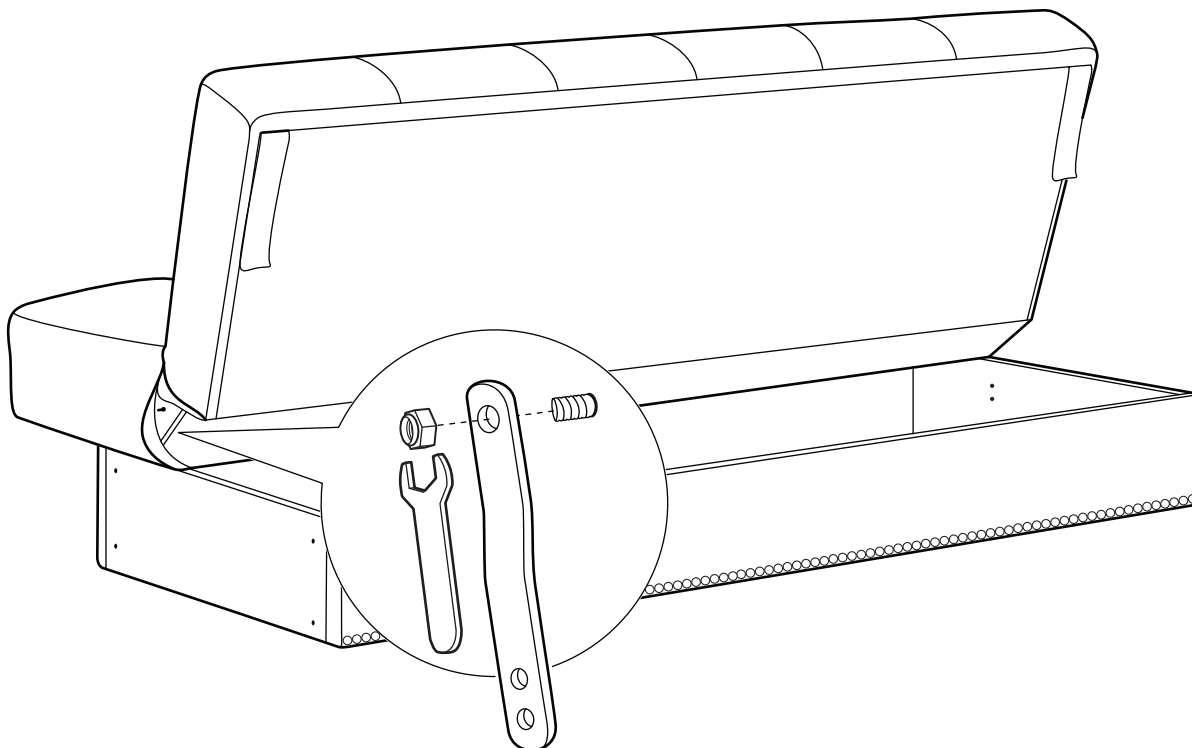


**ENSURE ORIENTATION OF BOTH SOFA CUSHION  
AND STORAGE BODY ARE AS SHOWN**

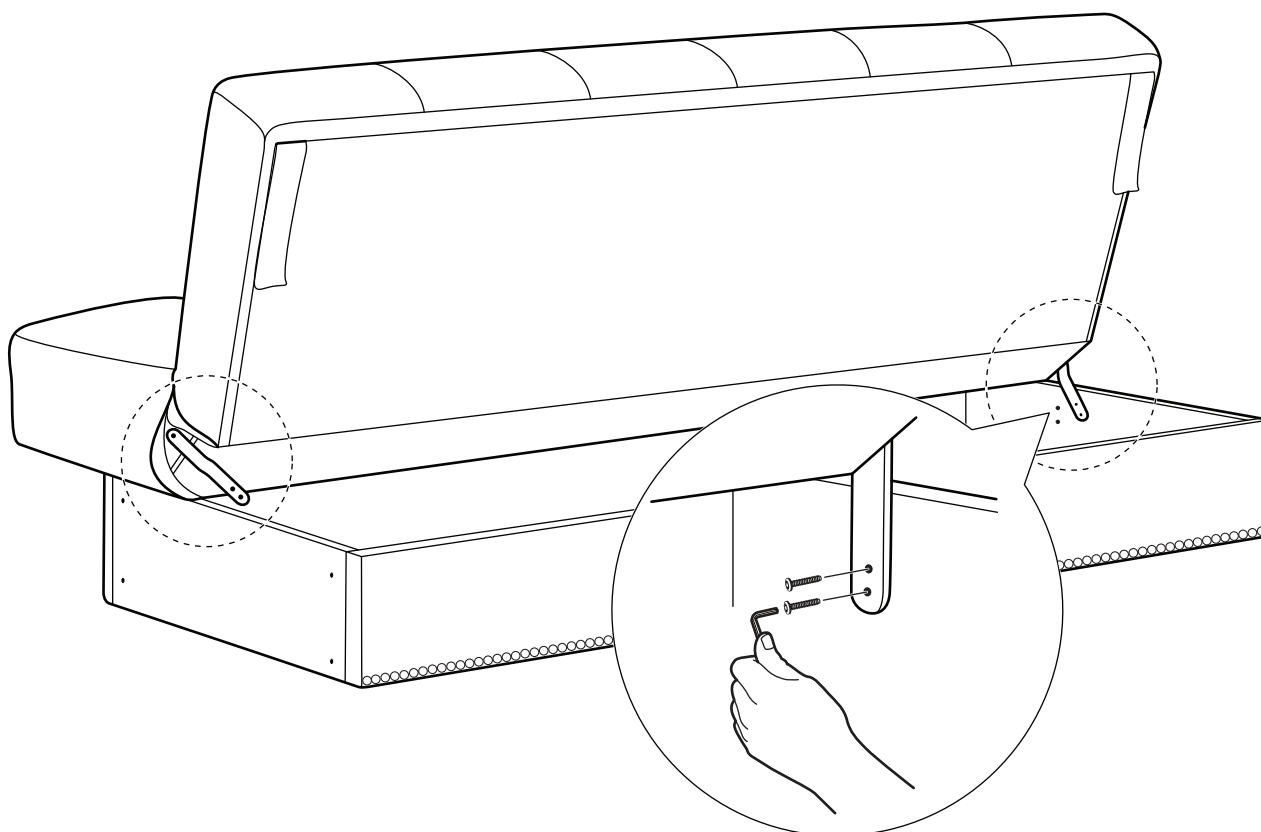
- 2** Simply lift the sofa seat cushion up from the front. Locate the exposed fix threaded rod inside the wrinkle. Temporary remove the nuts (B) from fix threaded rod using provided spanner.



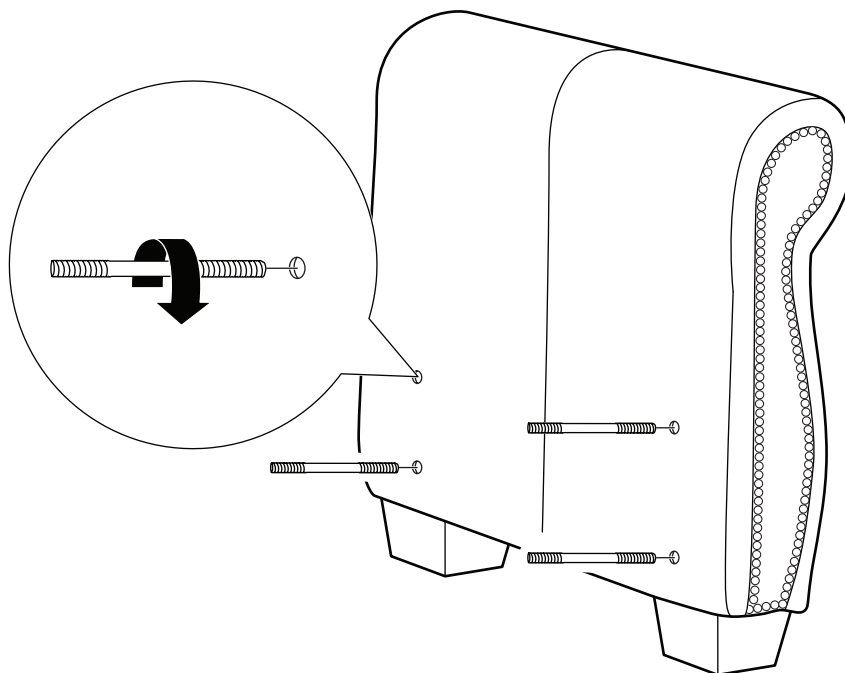
- 3** Connect metal bar into exposed fix threaded rod as shown below and secure with nut (B) using the spanner. Do not tighten completely yet.



- 4** Carefully align metal bar onto the pre-drilled holes inside storage body unit as shown. Secure two bolts for each metal bar into pre-drilled holes using provided Allen key. Completely tighten all bolts and nuts.



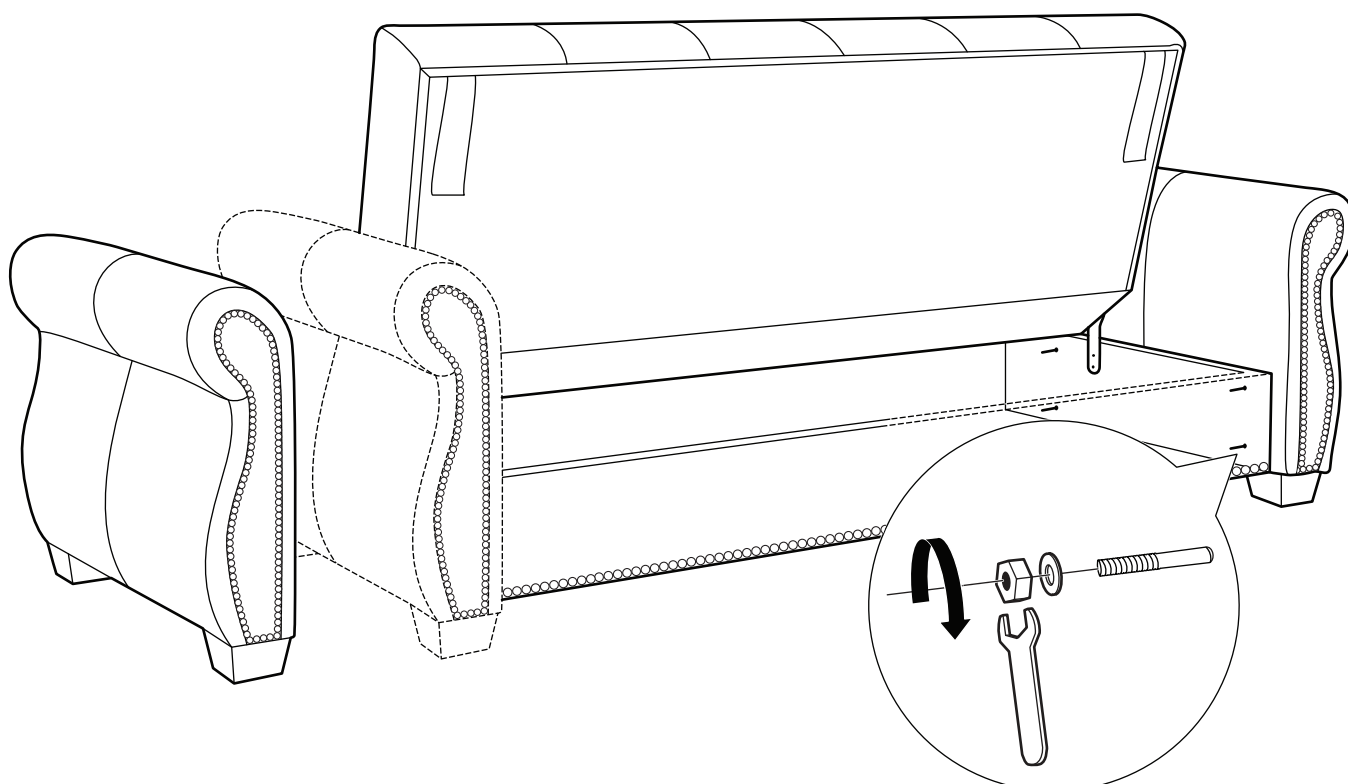
- 5** Screw in four threaded rods into pre-drilled holes on the inner side of armrest by hand until about half of the thread is exposed. Repeat step for other armrest.



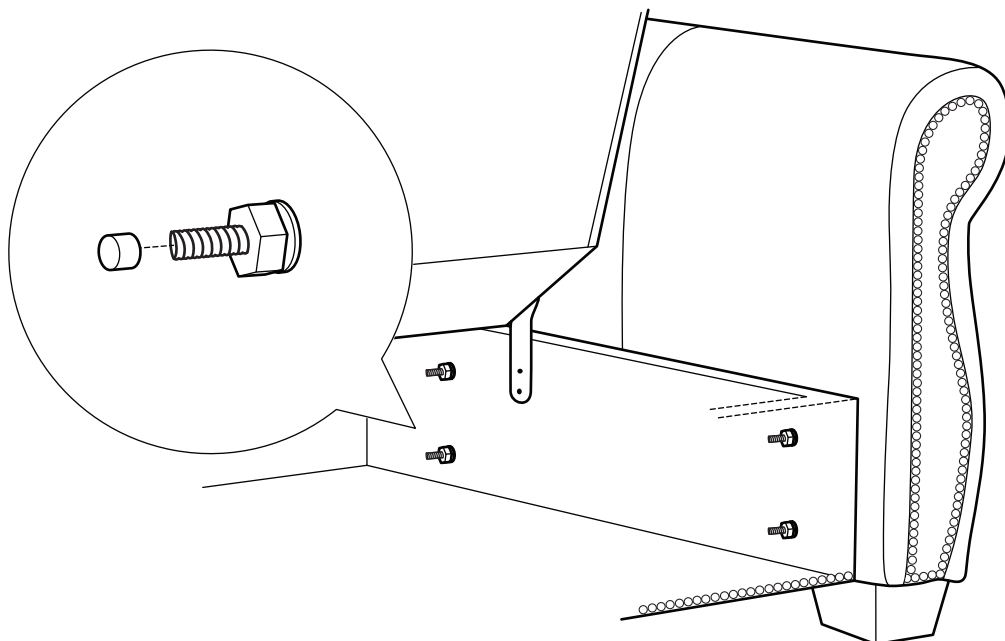
- 6** Locate pre-drilled holes on the side of storage body and match the orientation with the correct armrest.

Now, carefully join armrest (with the four threaded rods exposed) with storage body by aligning and going through the four pre-drilled holes at the side of storage body.

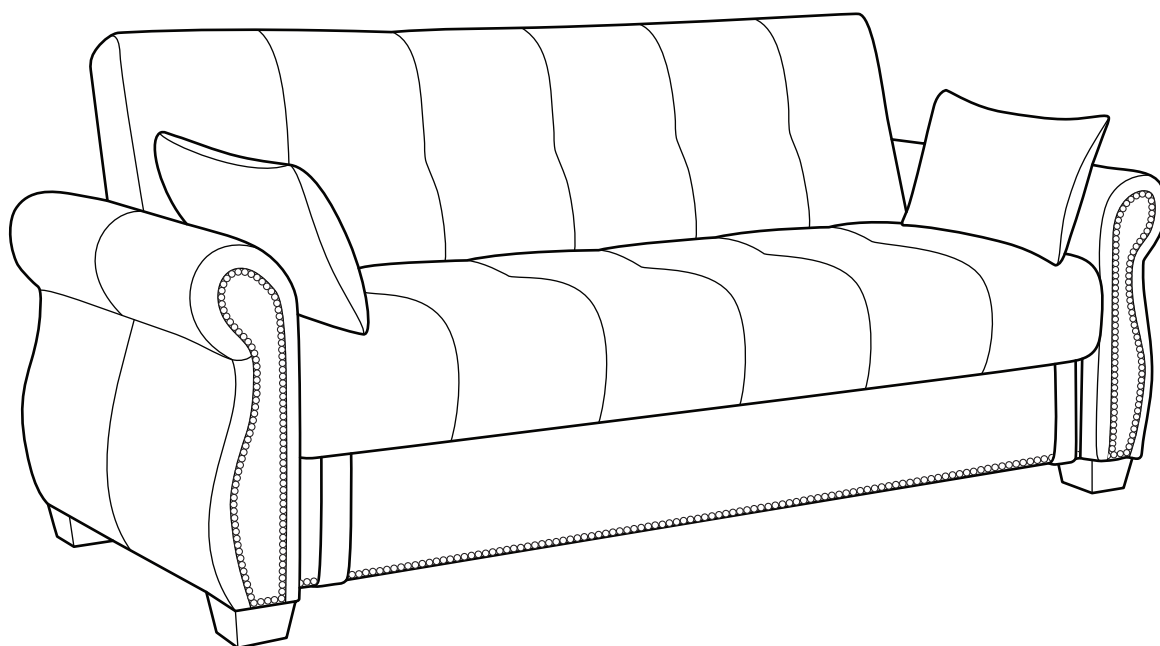
Secure all four threaded bolts with washers and nuts (A) from inside with spanner, making sure there is no movement.



**7** Use the plastic cap to conceal expose threaded rod.



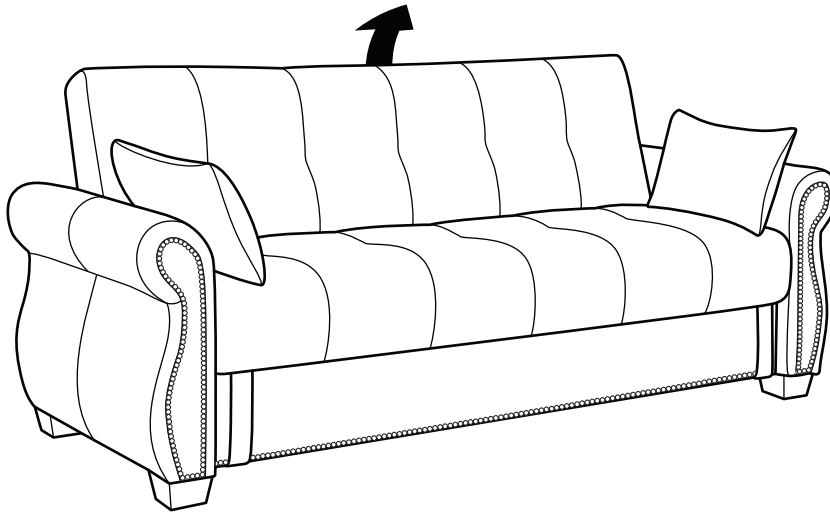
**8** Repeat step for other armrest, ensuring both are fully secured.



# OPERATING YOUR UNIT

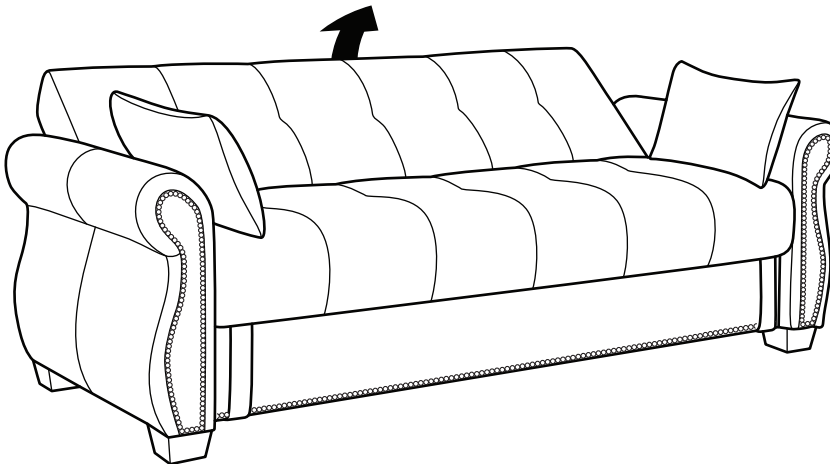
## Converting to Sofa

Standing at the side of the unit (from bed position), lift backrest to the desired position and secure in place by releasing to the sound of a click.



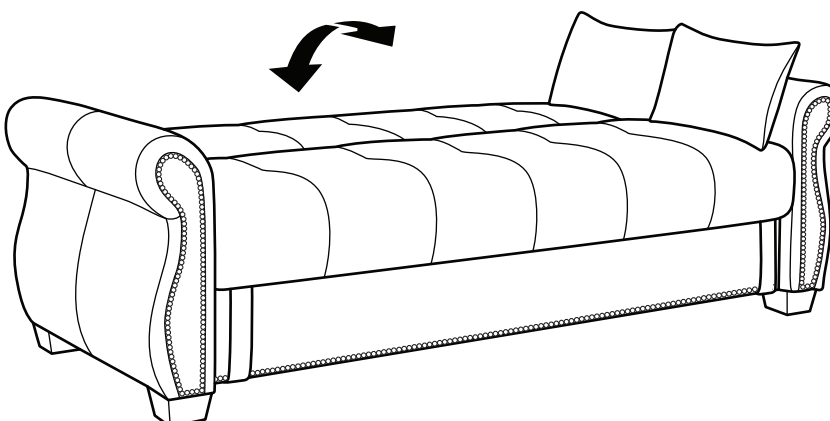
## Converting to Lounger

In bed position, lift backrest upwards with each click sound until the desired lounge position is reached.



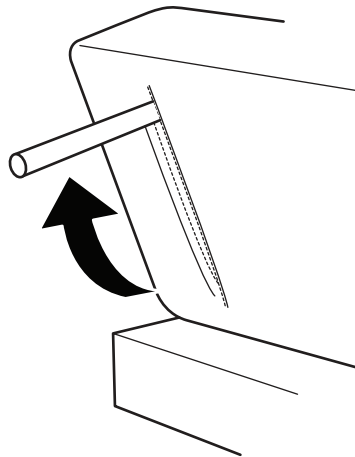
## Converting to Bed

From sofa or lounge position, lift backrest all the way upwards until the last click is heard which unlocks the mechanism and carefully return to a flat position.



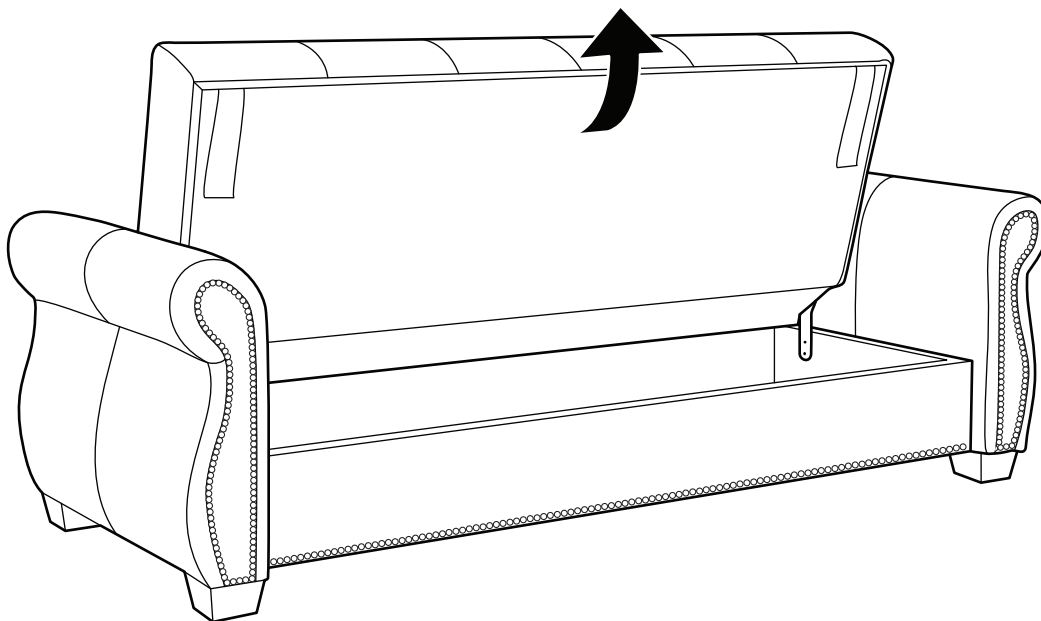
**IMPORTANT**

Ensure that the support legs are extended out (behind the backrest) when using it as a bed.



**Accessing Storage Compartment**

Simply lift the sofa seat cushion up from the front. Keep closed at all times.



When not using storage compartment, secure safety strap with velcro to sofa base.

