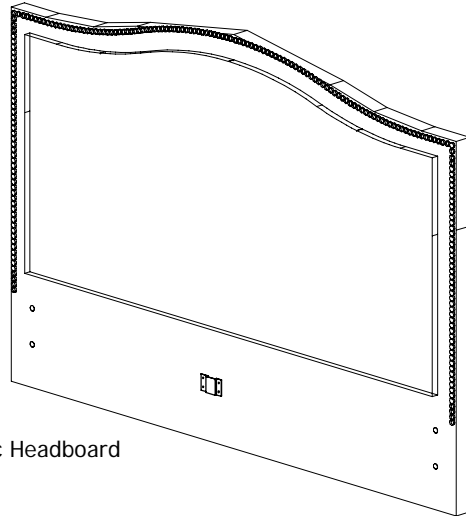


# Bed Assembly Instructions

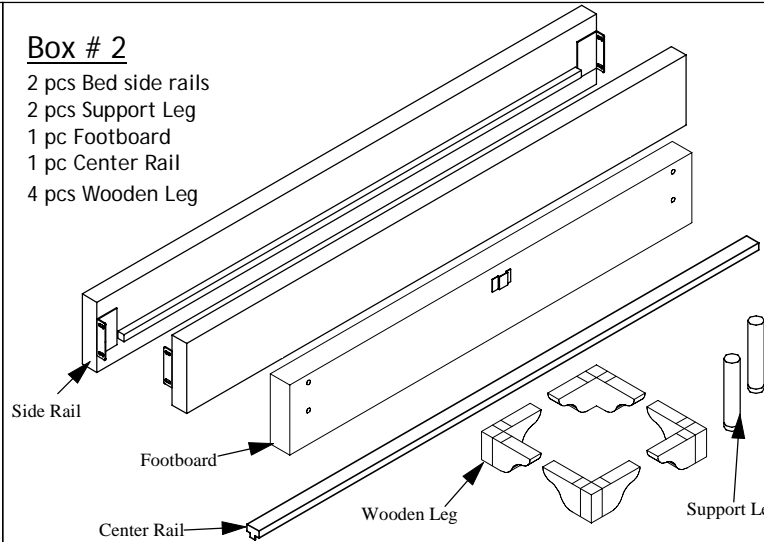
## Parts And Fittings Packing Details

### Box # 1



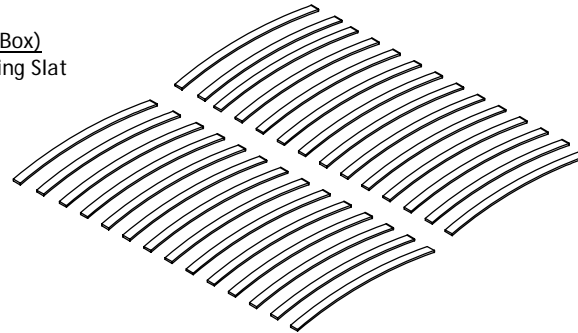
### Box # 2

- 2 pcs Bed side rails
- 2 pcs Support Leg
- 1 pc Footboard
- 1 pc Center Rail
- 4 pcs Wooden Leg

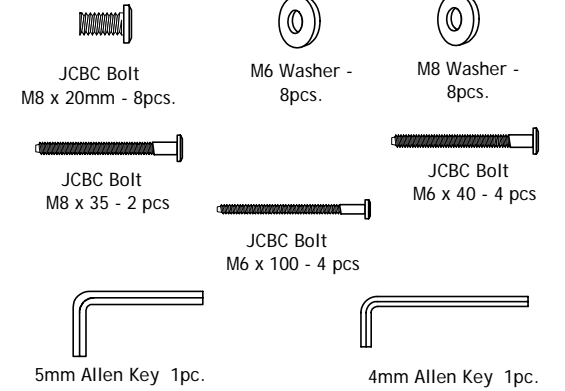


### Parts (Slats Box)

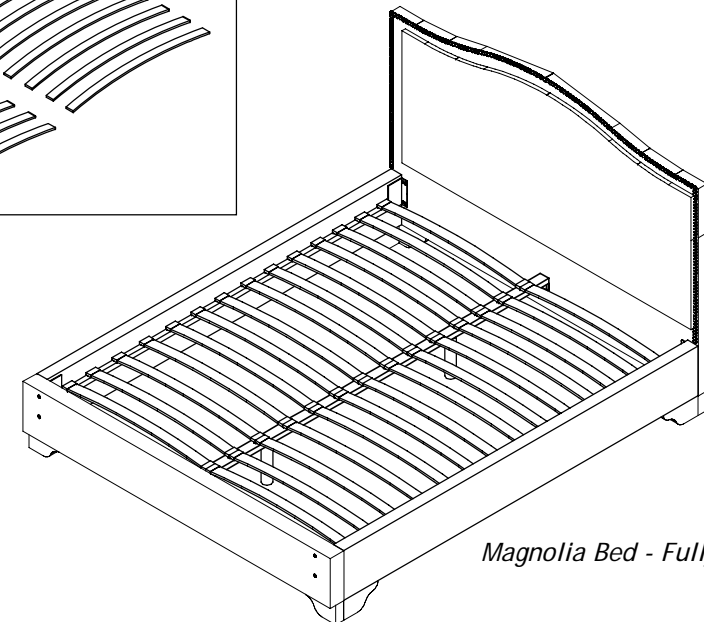
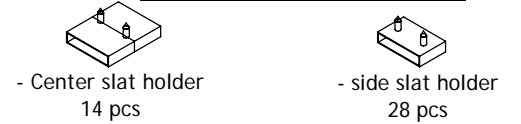
- 28 pcs Spring Slat



### Hardware Pack In Box #2



### Slats Holder (Packed into Box #2)



# Bed Assembly Instructions **MAGNOLIA BED**

(for CKB only)



LIFESTYLE SOLUTIONS

The Fusion Of Function And Comfort With Style

Page 2 of 2

## Step 1/Diagram 1

Assemble the wooden legs to Headboard & Footboard with 100mm & 40mm bolts. Refer Diagram 1.

## Step 2/Diagram 2

Fix both side rails to the Headboard and Footboard with the 20mm bolts and washers. Follow placement indication on side rail. Refer to diagram 2.

## Step 3/Diagram 3

Slot the center rail into metal holder on both Headboard & Footboard as shown in Diagram 3.

## Step 4/Diagram 4

Fix all the Support Legs on the center rail marked with sticker with M8x35 mm Bolt as shown in Diagram 4.

## Step 5/Diagram 5

Slot each spring slat into the slat holders as shown in diagram 5

## Step 6/Diagram 6

Install all the Center Slat Holder to the center rail and side slat holder to the Ledger Strip. Refer to Diagram 6a & 6b

