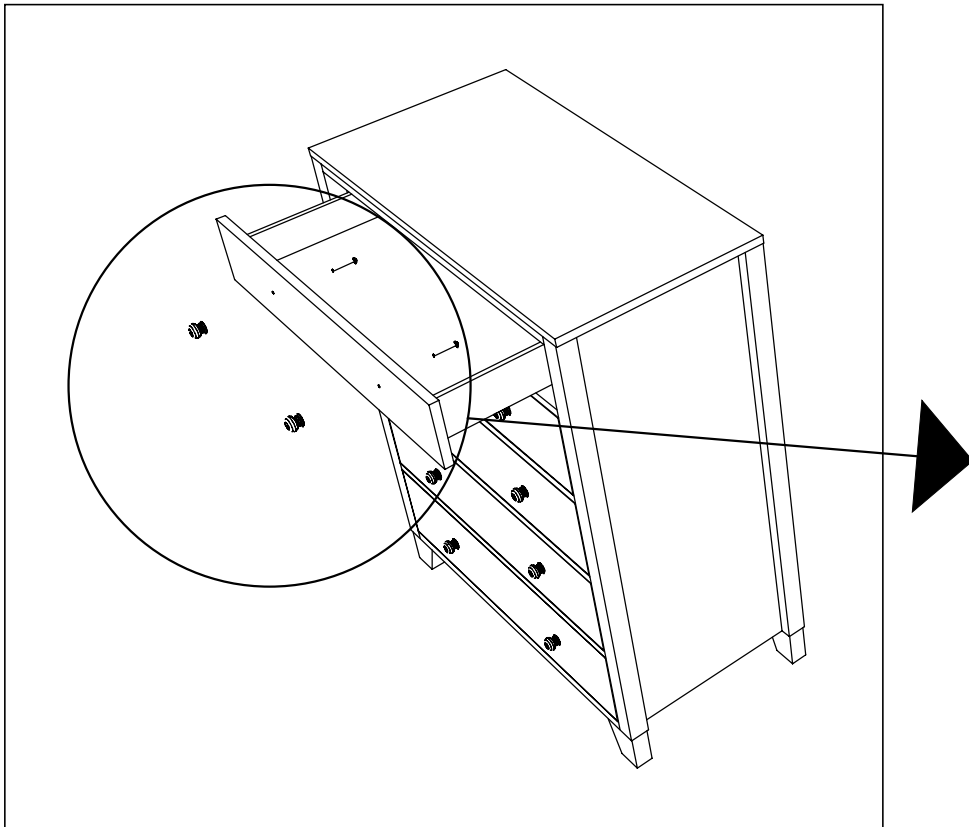


# Positano / 500 Series Casegood

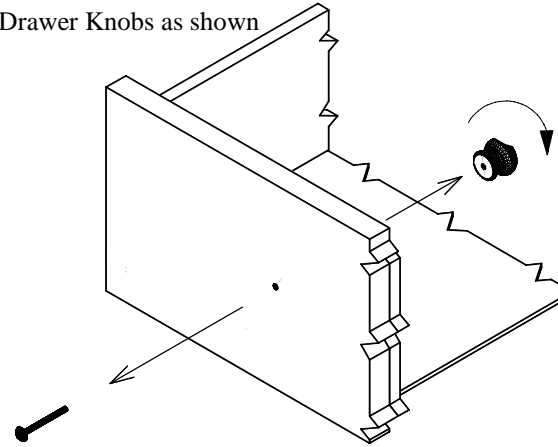
## Assembly of Knobs.

The Drawer knob are fixed inside the drawers to reduce transportation related damages. You'll need to remove and fixed onto the correct orientation.



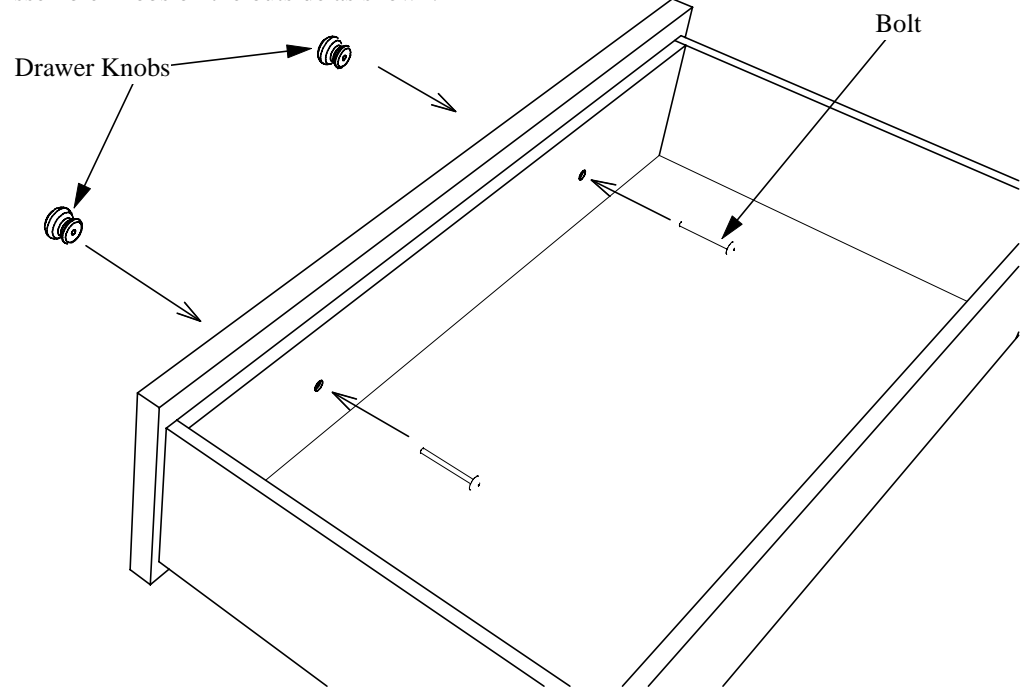
### Step #1

Remove Drawer Knobs as shown



### Step #2

Assemble knobs on the outside as shown.



LIFESTYLE SOLUTIONS

*The Fusion of Function and Comfort with Style*