

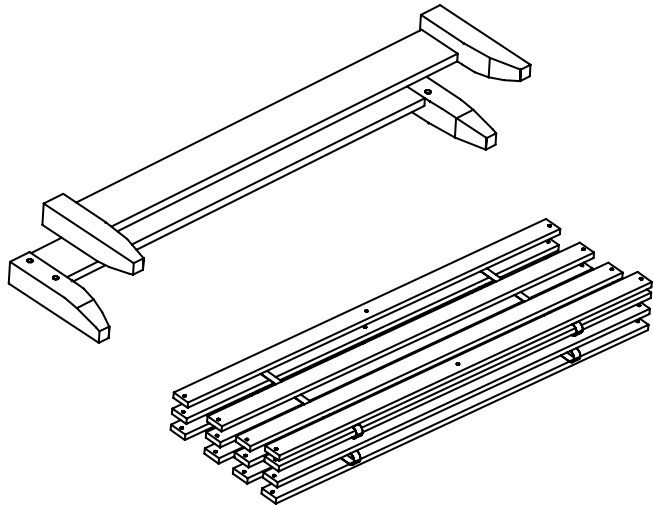
SOHO BED

Bed Assembly Instructions

Parts And Fitting Packing Detail

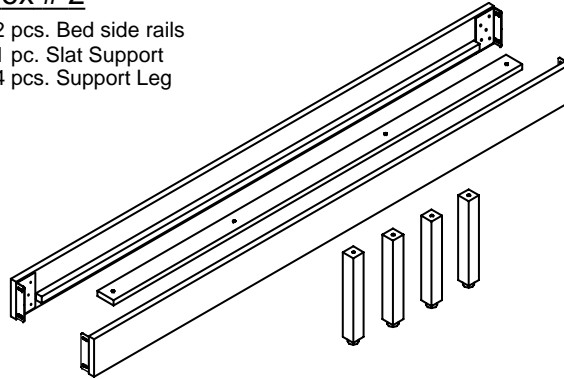
Box # 1

- 2 pcs. Leg Frame
- 13 pcs. Slats



Box # 2


- 2 pcs. Bed side rails
- 1 pc. Slat Support
- 4 pcs. Support Leg



HARDWARE PACK IN BOX #1




Bolt M8 x 20mm
- 8 pcs



Bolt M6 x 70mm
- 4pcs.



Washer - 8 pcs.

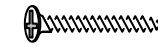


5mm Allen Key
- 1 pc.

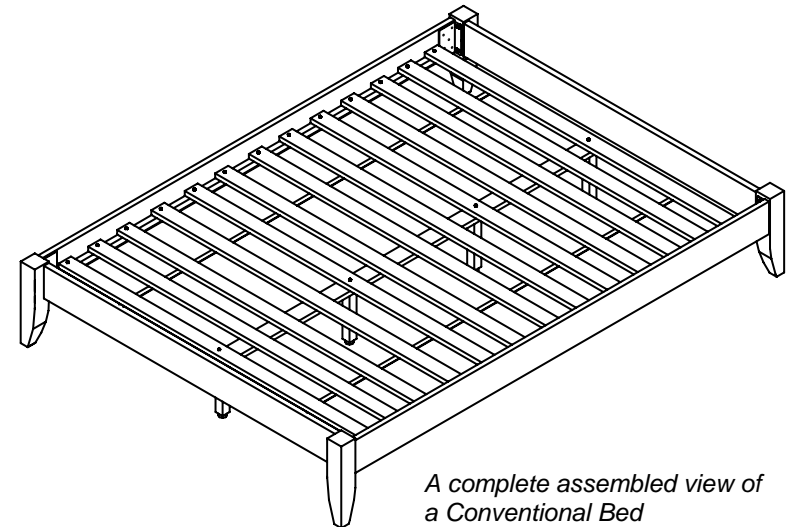


4mm Allen Key
-1 pc.

Slat Hardware



32mm Screw - 26pcs.
(Wrapped in separate plastic bag)



*A complete assembled view of
a Conventional Bed*

ASSEMBLY INSTRUCTIONS

STEP 1/ DIAGRAM 1

Fix both side rails to the Head Board and Foot Board as shown in diagram 1 with the 20mm bolts and washers.

STEP 2/ DIAGRAM 2

Spread out all the slats on to the slat support. Further secure the pre-drilled slats to the slats support and support legs with 4nos M6 x 70mm bolt as shown in diagram 2.

STEP 3/ DIAGRAM 3

Finally, place both ends of the assembled slats in the bed frame resting on both sides of the side rails and screw them in place with the 32mm screws provided as shown in diagram 3.

