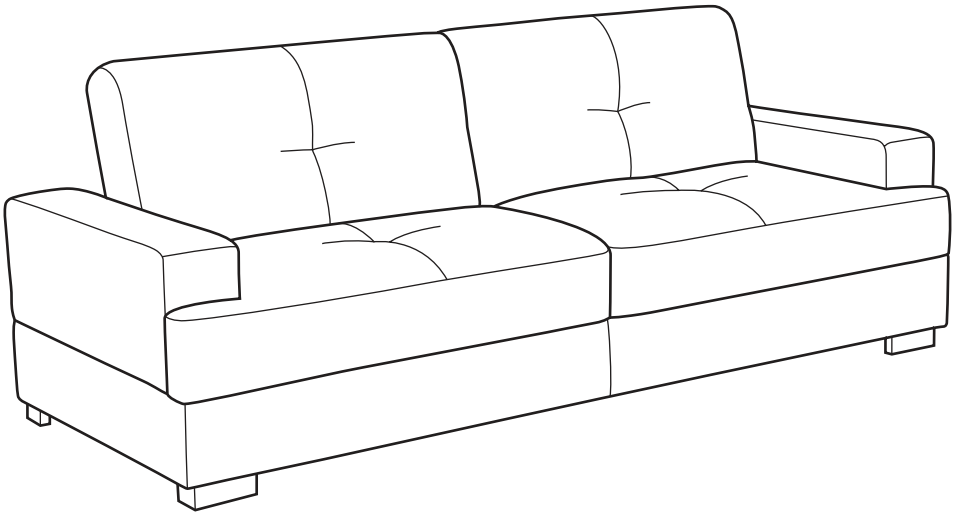




LIFESTYLE SOLUTIONS®



# CORONADO

---

## ASSEMBLY INSTRUCTIONS

U.S. PATENT NUMBER D677,070 S

TOLL FREE 866-626-7826 LIFESTYLE SOLUTIONS

## PARTS AND HARDWARE

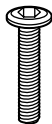
Avoid using sharp objects such as a knife to cut open packing as you may accidentally damage the upholstery.



Allen Key  
1x



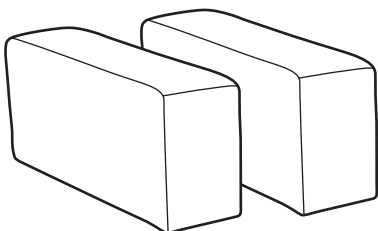
Short Bolt  
8x



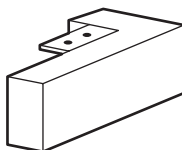
Long Bolt  
4x



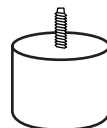
Washer  
4x



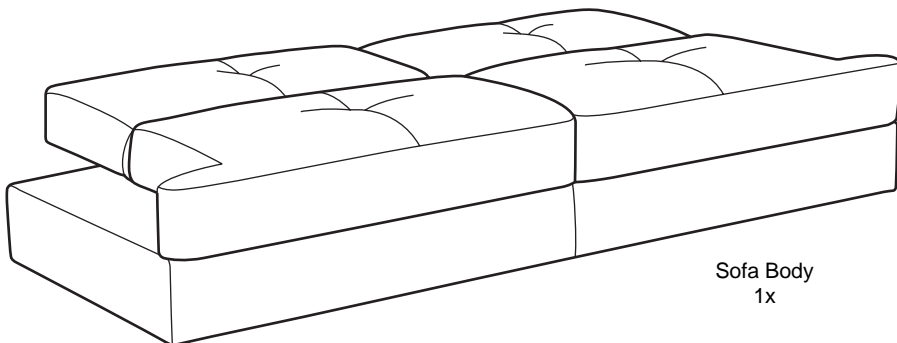
Armrest  
1 Pair



Leg  
4x



Center Support Leg  
1x



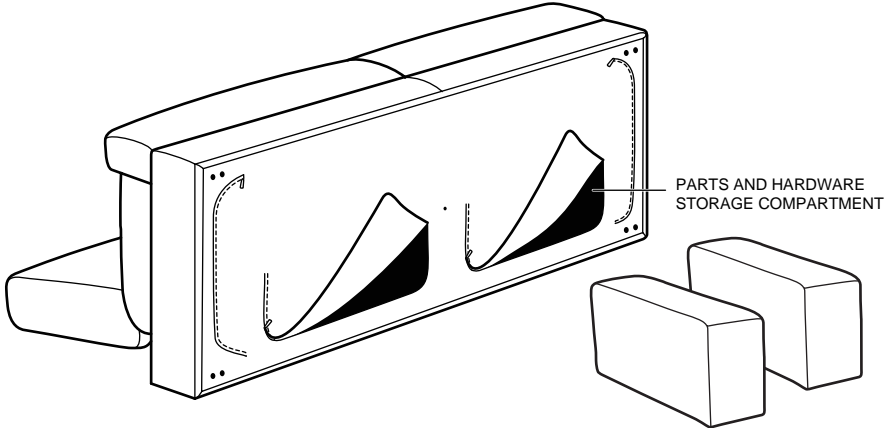
Sofa Body  
1x

# ASSEMBLY INSTRUCTIONS

**CAUTION:** *At least two adults are required to safely complete performing this task. Other lifting attempts may risk back injury due to large and heavy part(s).*

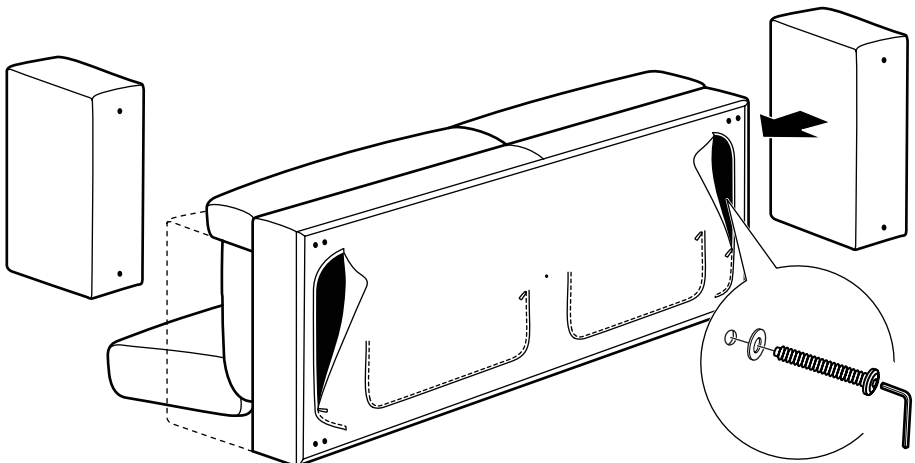


- 1** Carefully unpack and place sofa body unit upright on a clean flat surface to show the base as shown. Unpack hardware from the zipped storage compartment beneath sofa body.



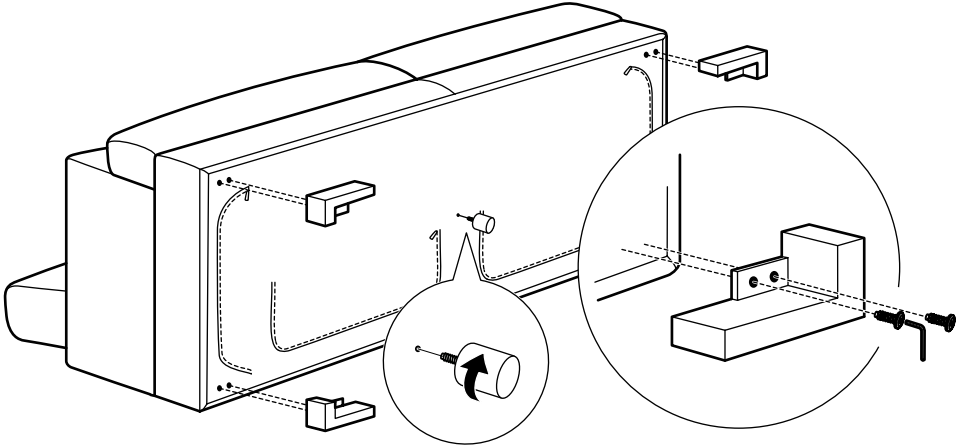
- 2** Unzip both side compartments on the base and locate the pre-drilled holes inside. Align armrest into position (see below) and secure with two long bolts and washers for each armrest from inside with Allen key.

Repeat step for other armrest, ensuring both are fully secured and zip shut when complete.

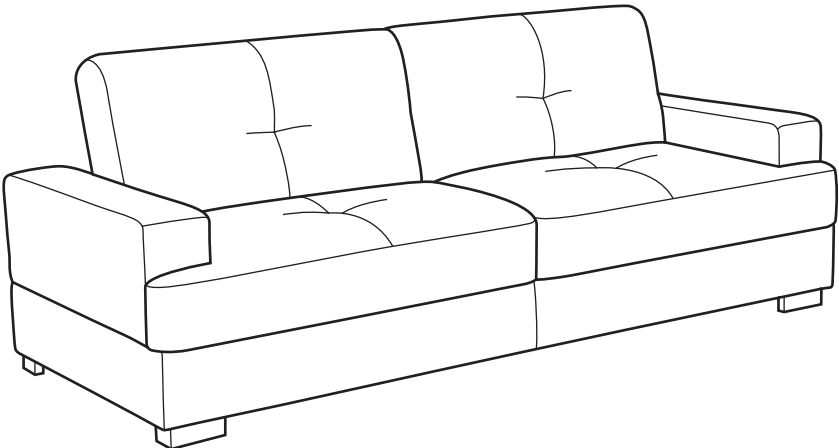


- 3** Align all four legs in correct orientation (as shown below) and secure with two short bolts each using the Allen key.

Secure center support leg by screwing into pre-drilled holes on center of the base by hand and avoid overtightening.



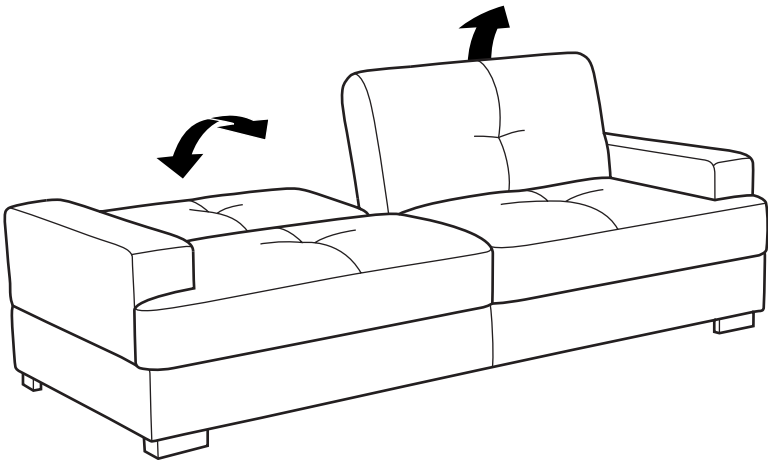
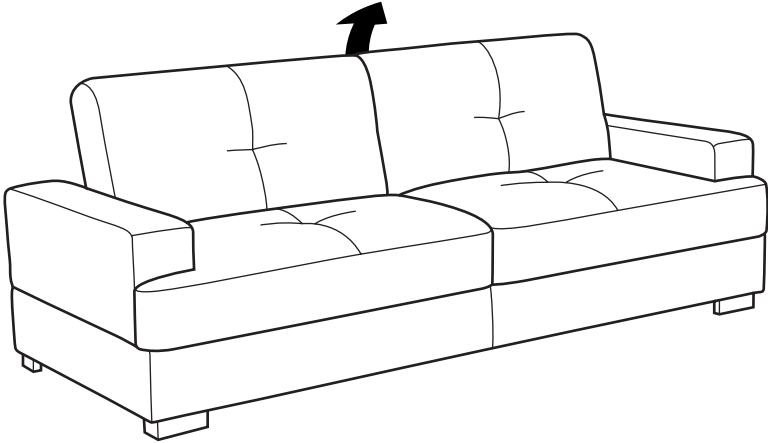
- 4** Finally, carefully lift and turn assembled unit onto its legs. Two persons required to avoid personal injury.



## OPERATING YOUR UNIT

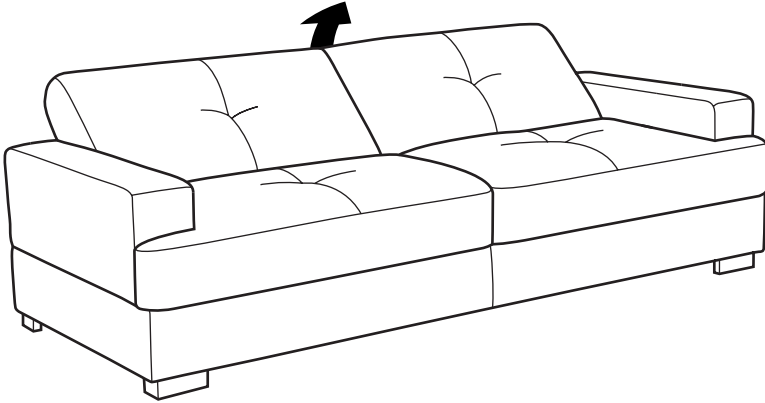
### Converting to Sofa or Splitback

Standing at the side of the unit (from bed position), lift backrest to the desired position and secure in place by releasing to the sound of a click.



### Converting to Lounger

In bed position, lift backrest upwards with each click sound until the desired lounge position is reached.



### Converting to Bed

From sofa or lounge position, lift backrest all the way upwards until the last click is heard which unlocks the mechanism and carefully return to a flat position.

