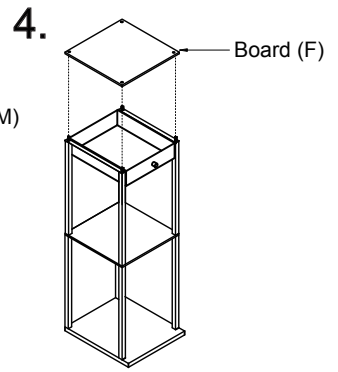
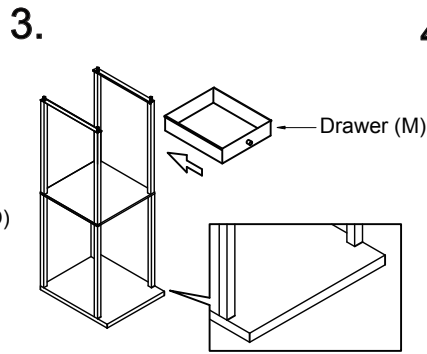
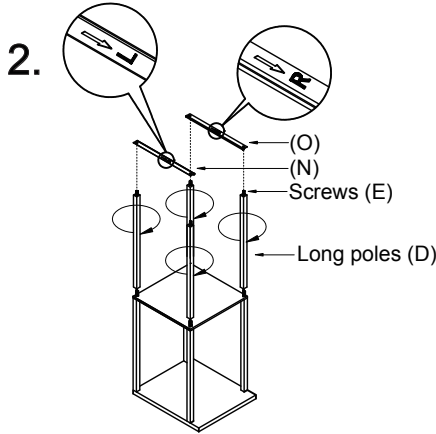
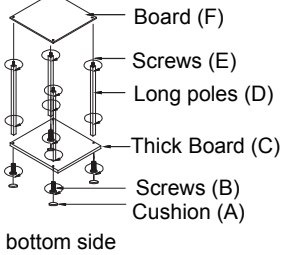


MODEL # 3133-01

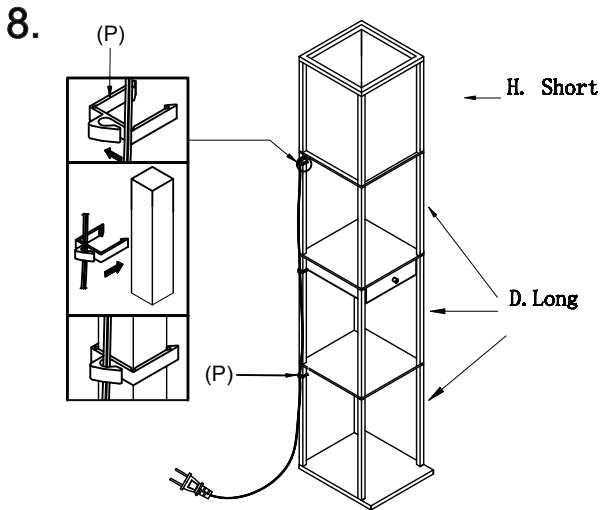
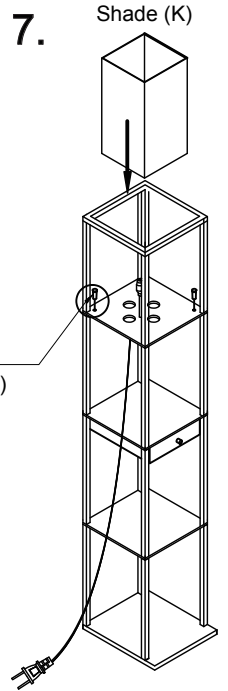
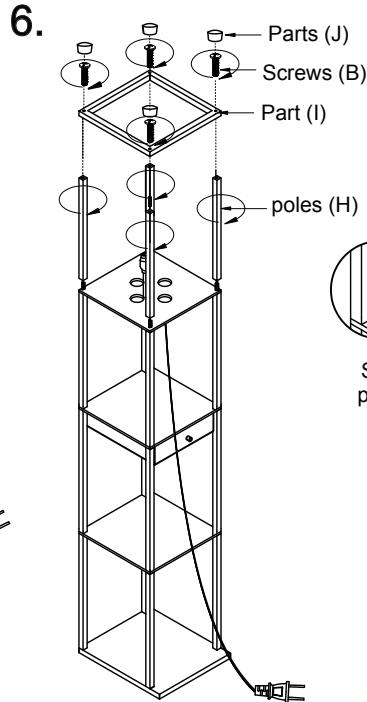
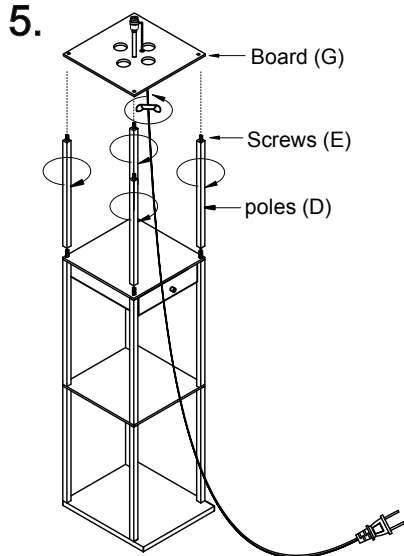
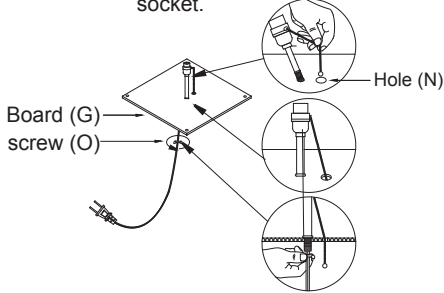


PLEASE READ AND SAVE THESE INSTRUCTIONS:

1. Assemble from bottom side. Turn clockwise to the proper position.



4. Set the socket on the board (G) and drop the pull chain directly through the hole (N) then tighten with the screw (O) to secure the socket.



MAINTENANCE:

BULB INFORMATION: This lamp requires the use of a maximum 42-watt CFL light bulb or a 150-watt maximum standard incandescent bulb (not included). Wattages listed are maximums - lower wattages may be used.

DO NOT USE 3-WAY LIGHT BULBS IN EITHER FIXTURE ON THIS LAMP - THIS IS NOT A 3-WAY LAMP.

Do not use halogen bulbs in this lamp. Halogen bulbs reach higher temperatures and failure of bulb(s) may cause smoke or fire damage to the lamp and/or surroundings.

IMPORTANT SAFETY INSTRUCTIONS:

This portable lamp has a polarized plug (one blade is wider than the other) as a feature to reduce the risk of electric shock. This plug will fit in a polarized outlet only one way. If the plug does not fit fully in the outlet, reverse the plug. If it still does not fit, contact a qualified electrician. Never use with an extension cord unless plug can be fully inserted. **DO NOT ALTER PLUG.**

A 4PCS 	B 8PCS 	C. Thick Board 1PC 	D. Long pole 12PCS
E 12PCS 	F 2PCS 	G 1PC 	H. Short pole 4PCS
I 1PC 	J 4PCS 	K shade 1PC 	L. Small pole 4PCS
M 1PC 	N 1PC 	O 1PC 	P 3PCS