

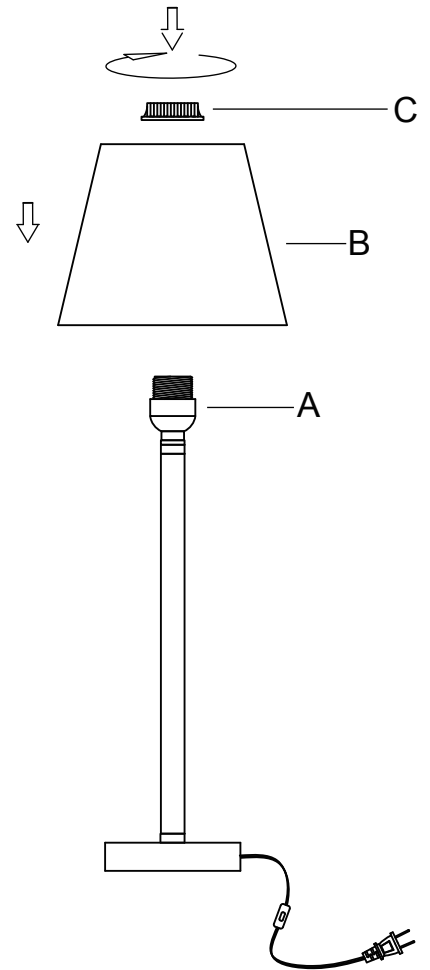
COOPER BUFFET TABLE LAMP

MODEL # 3283-16



PLEASE READ AND SAVE THESE INSTRUCTIONS:

1. REMOVE ALL PARTS FROM PACKAGING AND LAY ON A FLAT SURFACE.
2. SET SHADE (B) ON SOCKET (A) AND TIGHTEN CLOCKWISE WITH SOCKET RING (C) TO SECURE SHADE BEFORE SCREWING IN LIGHT BULB.



MAINTENANCE:

BULB INFORMATION: This lamp requires the use of a maximum 13-Watt CFL light bulb or a 60-Watt maximum standard incandescent bulb (bulb is not included).

Wattages listed are maximums - lower wattages may be used .

To clean lamp, wipe with clean, dry cloth

IMPORTANT SAFETY INSTRUCTIONS:

This portable lamp has a polarized plug (one blade is wider than the other) as a feature to reduce the risk of electric shock. This plug will fit in a polarized outlet only one way. If the plug does not fit fully in the outlet, reverse the plug. If it still does not fit, contact a qualified electrician. Never use with an extension cord unless plug can be fully inserted. **DO NOT ALTER PLUG.**



21 Penn Plaza #909 New York, NY 10001
Tel : (212) 736 4440 Fax : (212) 736 4806
www.adessohome.com