

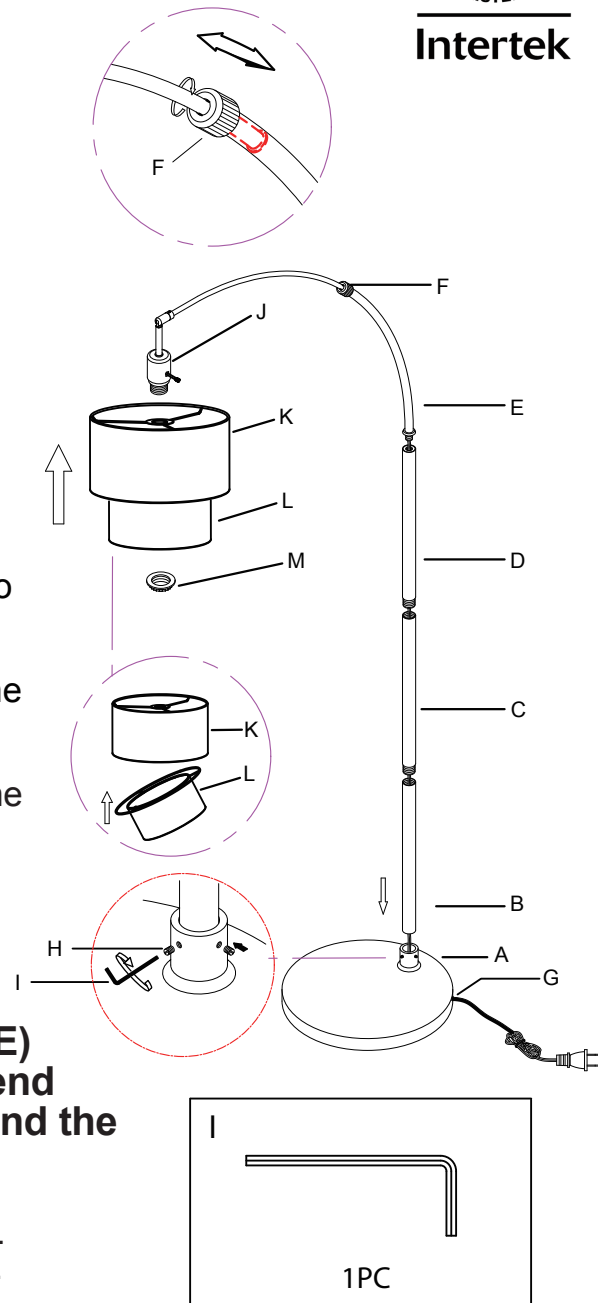
GALA ARC LAMP

MODEL # 3029



PLEASE READ AND SAVE THESE INSTRUCTIONS:

1. Locate the small allen wrench (I) and set this part aside for use later in these instructions.
2. Remove all other items from packaging. To avoid scratching of floor or lamp parts, assembly on a soft floor surface is recommended.
3. Screw pole (C) clockwise into pole (B) to tighten.
4. Screw pole (D) clockwise into part (C) to tighten.
5. Screw part (E) clockwise into pole (D) to tighten.
6. Insert the pole (B) into base (A) and get the remaining slack of the power cord out carefully from point (G). Position arc to point directly across the diameter of the base. When in position, tighten screws (H) with allen wrench (I) to secure lamp body to base. Screws (H) are pre-inserted in the lamp base.
7. Insert the inner shade (L) into outer shade (K) then extend the shade completely.
8. Remove socket ring (M) from shade holder (J) and hold assembled shade on socket while re-attaching socket ring to secure the shade to the shade holder.
9. **In order to create the Arc for the floor lamp Part (E) needs to be extended completely. In order to extend the inner tube of Part (E) loosen Part (F) and extend the pole out completely.**
10. Insert light bulb as described in these assembly instructions. The cord may now be plugged in to working electrical outlet.



NOTE: Please save the allen wrench in case it is needed for future adjustments or assembly.

MAINTENANCE:

Requires the use of one 150-watt incandescent or equivalent three-way CFL bulb.(not included)
Wattages listed here are maximums – lower wattages may be used.
Do not use halogen light bulbs with this lamp, as halogen bulbs reach higher temperatures and failure of bulb may cause smoke or fire damage to the lamp and/or surroundings.

IMPORTANT SAFETY INSTRUCTIONS:

This portable lamp has a polarized plug (one blade is wider than the other) as a feature to reduce the risk of electric shock. This plug will fit in a polarized outlet only one way. If the plug does not fit fully in the outlet, reverse the plug. If it still does not fit, contact a qualified electrician. Never use with an extension cord unless plug can be fully inserted. **DO NOT ALTER PLUG.**

