

ASSEMBLY INSTRUCTIONS FOR RITA FOLDING SCREEN # HX1111

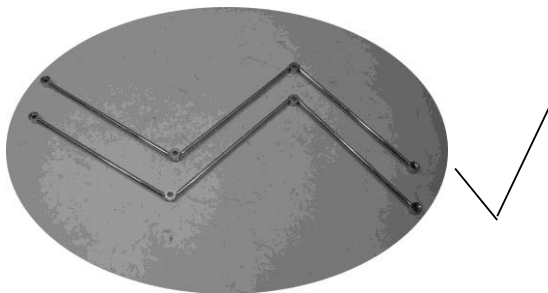
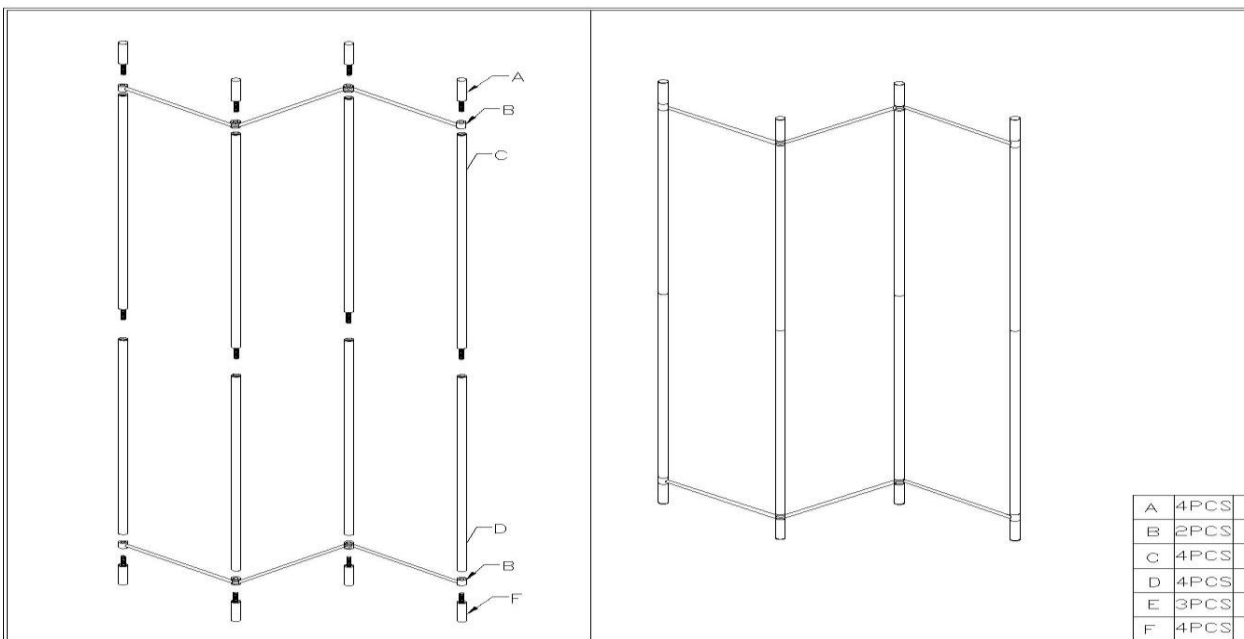
ATTENTION: Please make sure to extend both the top and bottom cross-bar gently in the same direction as below drawing.

Please begin assembly from the bottom of the screen.

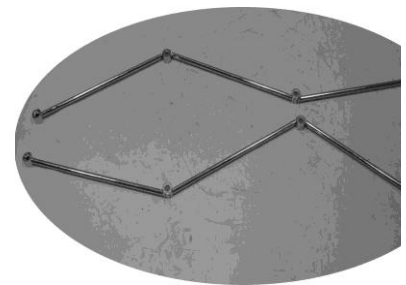
1. Extend the bottom cross-bar (B) and screw the solid bar (F) into tubes (D) through the hole of cross-bar (B) as feet for the screen.
2. Screw the tubes (C) into the tubes (D).
3. Extend cross-bar (B) and screw the tube (A) into tubes (C) through the hole of top cross-bar (B).
4. Attach panels (E) onto the top and bottom cross-bar with velcro.

Now the assembly is completed, and you can enjoy using the screen.

Product weight: 10.56lbs.



Correct cross-bar extending direction !



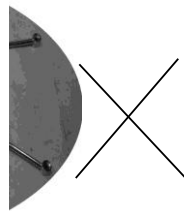
Wrong cross-bar extending direction



21 Penn Plaza Suite 909, New York,
Tel: (212) 736-4440 Fax

f

(B).



ection !

New York 10001

☎ (212) 736-4806