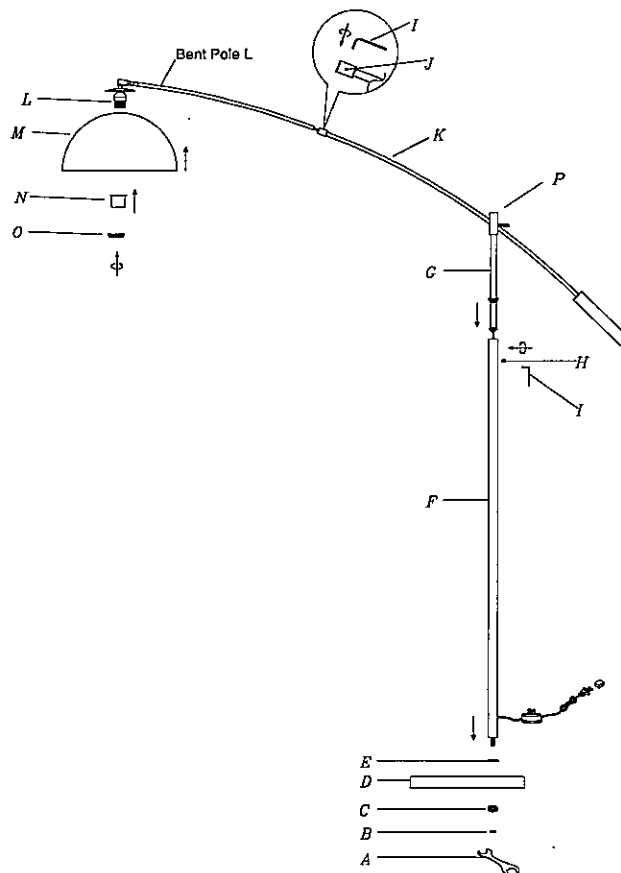


ASSEMBLY INSTRUCTIONS FOR OUTREACH ARC LAMP ITEM#4134-22

PLEASE READ AND SAVE THESE INSTRUCTIONS:

Be careful when unpacking the lamp since the wires are connected. If the wires are pulled out of their connectors, the lamp will not turn on.

1. Begin assembly at the bottom of the lamp
2. Using the tube (F) via the metal washer (E), base (D) and metal washer(C), use the spanner (A) to secure with the nut (B) until tight.
3. Insert the tube (G) into the tube (F), and then put the screw (H) into screw eye of the tube (F) and using the tool (I) turn clockwise to tighten.
4. Insert tube (L) to the linker (J) of tube (K) then using the tool (I) connect them with the screw.
5. Place the shade (M) onto socket (L) and put the plastic ring (N) onto socket (L) then turn the socket ring (O) onto socket (L).
6. If you need adjust the height, please turn the handgrip (P) to reach the required height.
7. Item weight: 33.88lbs.



CAUTION:

Use only with maximum of 1*150 watt incandescent bulb (bulb not included).

Many people are choosing to use energy efficient CFL light bulbs. CFL's vary in size based on manufacturer, features, and wattage. Some CFL bulbs may change the functionality of the lamp. For example: if this lamp has a low/high/off function or 3-way switch, then when using the CFL bulb on the low setting the bulb may either "flicker" or not work. We recommend only using at the "high" level".

IMPORTANT SAFETY INSTRUCTIONS:

This portable lamp has a polarized plug (one blade is wider than the other) as a feature to reduce the risk of electric shock. This plug will fit in a polarized outlet only one way. If the plug does not fit fully in the outlet, reverse the plug. If it still does not fit, contact a qualified electrician. Never use with an extension cord unless plug can be fully inserted. Do not alter the plug.



21 Penn Plaza Suite 909, New York, New York 10001

Tel: (212) 736-4440 Fax: (212) 736-4806