

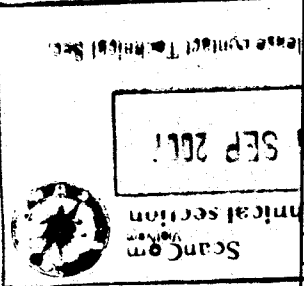
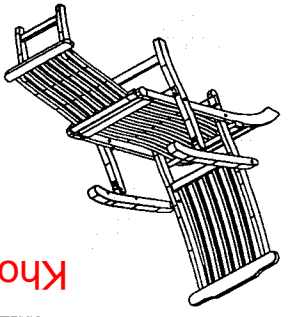
DRAWING INDEX

Page	Trang	Ref	Drawing Title	Qty	Component Code	Dimension		Remark
						T x W x L	Rev	
01	IDX		Index / Coverpage / Trang Phụ Lục				26/12/06	
02	DL		Detail Layout / Chi Tiết Tổng Thể				26/12/06	
03	FV		Front View / Hình Chiếu Đứng				26/12/06	
04	SV		Side View / Hình Chiếu Bên				26/12/06	
05	FD		Folding Dimension / Kích Thước Gấp				26/12/06	
06	CB		Carton Box Layout / Kích Thước Thùng Carton				26/12/06	
07	AI		Assembly Instruction / Hướng Dẫn Lắp Ráp				26/12/06	
08	RVS		Revision Sheet / Trang Sửa Đổi				26/12/06	
AP	AP		Back frame / Khung sau		SU-DW-8F-0019		30/08/07	
AP1	AP1		Leg frame / Khung chân		SU-DW-LF-0007		26/12/06	
AP2	AP2		Seal frame / Khung ngồi		SU-DW-ST-0002		26/12/06	
AP3	AP3		Seal frame / Khung ngồi		SU-DW-ST-0003		26/12/06	
A	A		Headrest / Thanh tựa lưng trên		C-W-DW-HR-0024	560 x 75 x 24	30/08/07	
B	B		Backrest / Thanh tựa lưng dưới		C-W-DW-BR-0030	416 x 40 x 24	30/08/07	
C1	C1		Sidebar / Thanh hông tựa		C-W-DW-SB-0086	912 x 42 x 24	30/08/07	
C2	C2		Sidebar / Thanh hông tựa		C-W-DW-SB-0087	912 x 42 x 24	30/08/07	
D	D		Seat / Nan khung tựa		C-W-DW-ST-0064	555 x 24 x 20	30/08/07	
E	E		Crossbar / Thanh ngang dưới khung tựa		C-W-DW-CB-0036	480 x 46 x 20	26/12/06	
F	F		Crossbar / Thanh ngang trước khung ngồi		C-W-DW-CB-0038	470 x 60 x 24	26/12/06	
G	G		Seat / Nan khung ngồi		C-W-DW-ST-0029	559 x 24 x 20	26/12/06	
H1	H1		Leg / Chân sau		C-W-DW-LG-0052	917 x 65 x 24	26/12/06	
H2	H2		Leg / Chân sau		C-W-DW-LG-0053	917 x 65 x 24	26/12/06	
I	I		Crossbar / Thanh ngang sau khung ngồi		C-W-DW-CB-0041	419 x 46 x 24	26/12/06	
J1	J1		Leg / Chân trước dài		C-W-DW-LG-0056	577 x 42 x 34	26/12/06	
J2	J2		Leg / Chân trước dài		C-W-DW-LG-0057	577 x 42 x 34	26/12/06	
K	K		Crossbar / Thanh ngang đỡ khung ngồi		C-W-DW-CB-0043	20 x 46 x 524	26/12/06	
L	L		Crossbar / Thanh ngang chân trước		C-W-DW-CB-0044	20 x 46 x 470	26/12/06	
M	M		Crossbar / Thanh ngang sau khung đỡ chân		C-W-DW-CB-0042	282 x 34 x 20	26/12/06	
N	N		Crossbar / Thanh ngang trước khung đỡ chân		C-W-DW-CB-0039	552 x 46 x 20	26/12/06	
O1	O1		Seat / Nan khung đỡ chân		C-W-DW-ST-0030	445 x 24 x 20	26/12/06	
O2	O2		Seat / Nan khung đỡ chân		C-W-DW-ST-0039	445 x 24 x 20	02/02/07	
P	P		Seat / Nan khung đỡ chân		C-W-DW-ST-0031	445 x 24 x 20	26/12/06	
Q1	Q1		Leg / Chân trước ngắn		C-W-DW-LG-0054	287,5 x 47 x 24	26/12/06	
Q2	Q2		Leg / Chân trước ngắn		C-W-DW-LG-0055	287,5 x 47 x 24	26/12/06	
R	R		Crossbar / Thanh ngang khung đỡ chân		C-W-DW-CB-0040	419 x 46 x 24	26/12/06	
S1	S1		Armrest / Tay vịn		C-W-DW-AR-0021	570 x 50 x 46	26/12/06	
S2	S2		Armrest / Tay vịn		C-W-DW-AR-0022	570 x 50 x 46	26/12/06	

HARDWARE INDEX

Ref	STT	Hardware Name	Mã Phụ Kiện	Qty	Remark
2	2	Insert Nut 8x13, ZADC			
3	3	Distance space 8,5x20x24, MM			
4	4	Mushroom Bolt 8x80, B-PHL,ST			
5	5	F-Bolt M4x15, F-PHL, ST			
6	6	Flat Ratched 230x30x4, BR			
7	7	Support Pat 109,6x59,5x27, ST			
8	8	Wood Screw 4x20, F-PHL, ST			
9	9	Sleeve Nut 6x13, ST			
10	10	Mushroom Bolt 6x35, R-PHL,ST			
11	11	Rotation Pat 50x41x12, BR			
12	12	Cap Ø12x18, PL			
13	13	Support Pat 40x25x3, ST			
14	14	Mushroom Bolt 8x45, B-PHL,ST			
15	15	Plain washer 9x18x2, PL			
16	16	Box Ratchet 98x48,5x24, ST			
17	17	Rotation Pat 60x30x17x(13), BR			
18	18	H-Bolt 6x30, ST			
19	19	F-Bolt 6x65, F-HEX, ST			
20	20	Insert Nut 6x13, ZADC			
21	21	Plain washer 6,5x16x2, PL			
22	22	Mushroom Bolt 8x40, B-PHL,ST			
23	23	Wood Screw 4x40, F-PHL, ST			
24	24	Box Ratchet 98x48,5x24, ST			
25	25	Rotation Pat 60x30x17x(13), BR			
26	26	Wood Screw 4x15, F-PHL, ST			

Khoi tinh : 0.01999



READ THESE DRAWINGS IN CONNECTION WITH EACH OTHER, ANY DISCREPANCY FOUND THEREIN SHALL BE NOTIFIED TO THE R&D IMMEDIATELY

Revision B	Date: Issue V1	Approved by 	Checked by 	Drawn by Duong Xuan Nghiem	Product name: Marine deckchair, WB, Oil	Cover Page	PN43/B	Ref Page U7/08
---------------	----------------------	-----------------	----------------	-------------------------------	---	------------	--------	----------------------



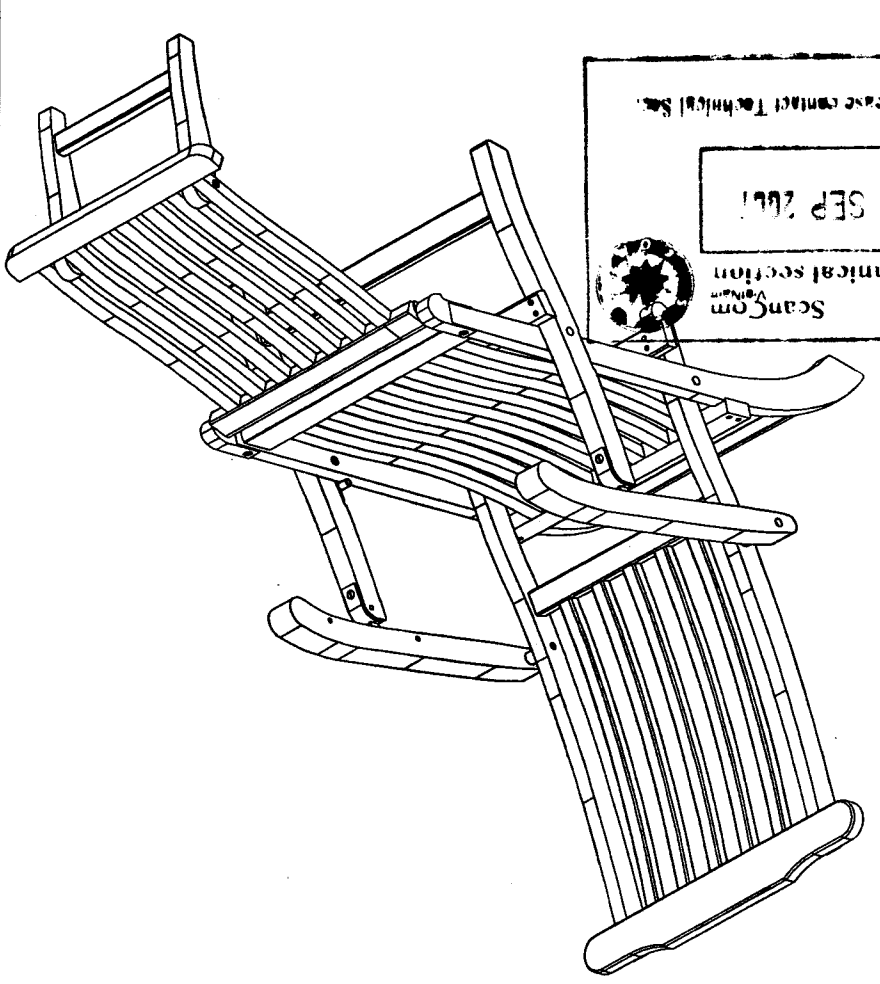
© Copyright Notice: This Drawing is copyright protected and is the property of Scancom International AS. The Drawing may not be reproduced or copied without written approval from Scancom International AS. All rights reserved Scancom International AS 2005. Violations will be prosecuted.

DRAWING INDEX

HARDWARE INDEX

Page	Ref	Drawing Title	Qty	Component Code	Dimension T x W x L	Rev	Remark
	(V)	Chi Tiết Bàn Vẽ		C-W-DW-CB-0037	478 x 52 x 24	26/12/06	Ghi Chú
	(Y1)			C-W-DW-ST-0040	445 x 24 x 20	02/02/07	
	(Y2)			C-W-DW-ST-0041	445 x 24 x 20	02/02/07	

Ref	Hardware Name	Hardware Code	Qty	Remark
STT	Tên Phụ Kiện	Mã Phụ Kiện		Ghi Chú

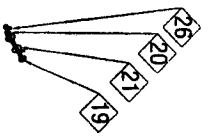
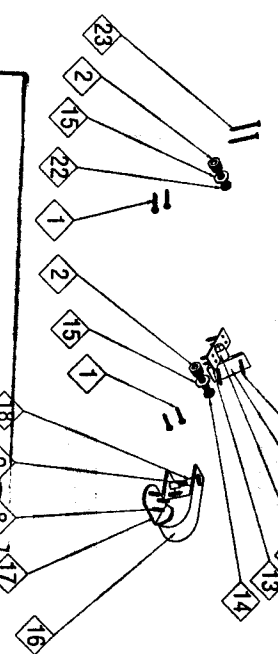
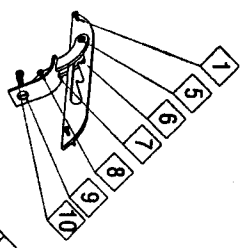
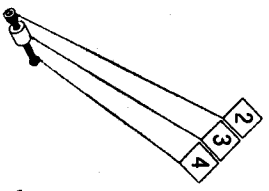
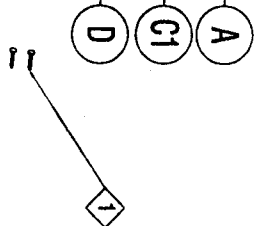
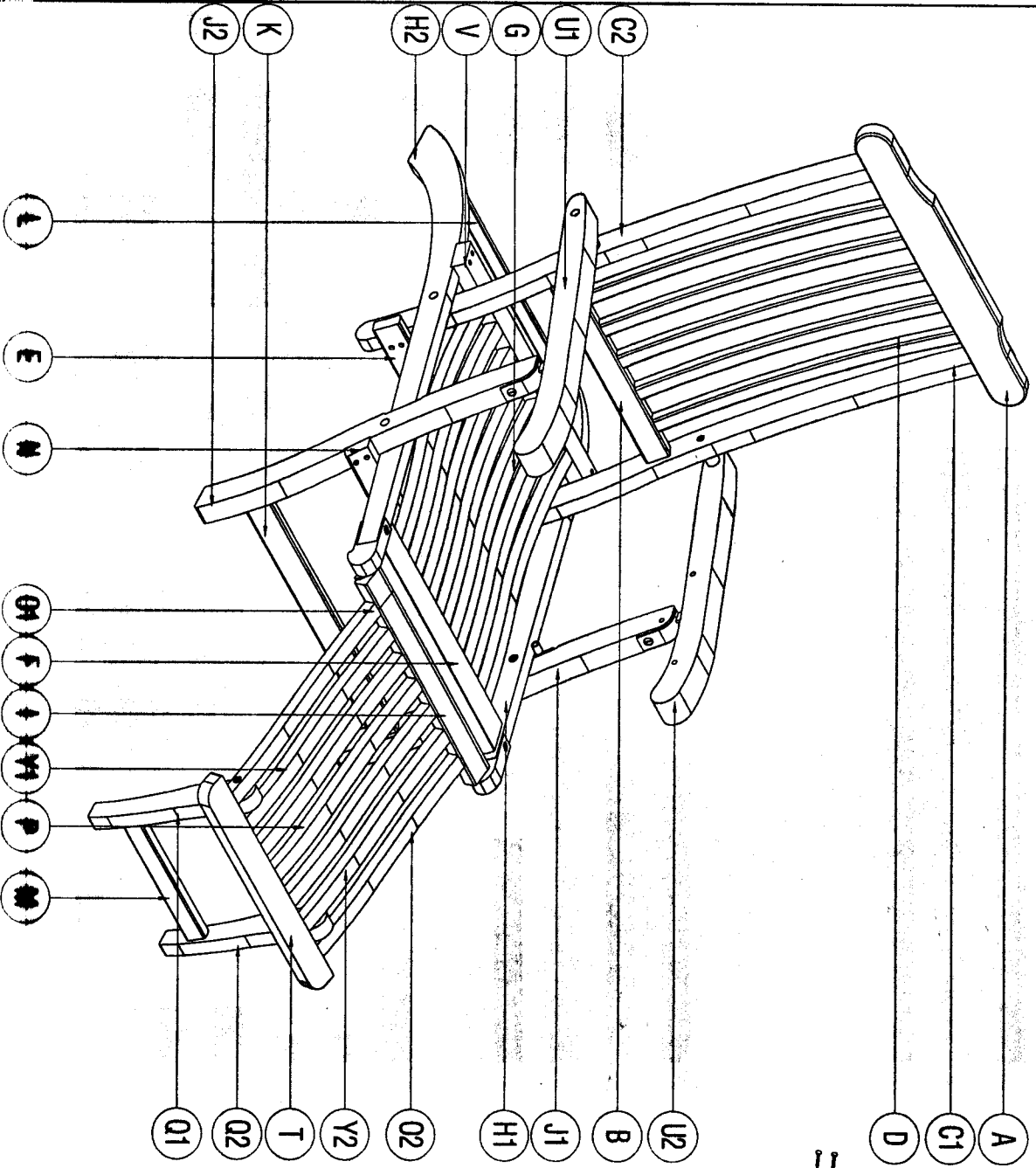


READ THESE DRAWINGS IN CONNECTION WITH EACH OTHER, ANY DISCREPANCY FOUND THEREIN SHALL BE NOTIFIED TO THE R&D IMMEDIATELY

Drawn by	Duong Xuan Nghiem	Checked by	Nguyen Thanh Huy	Approved by	Ho Ngoc Chanh
Product name:	Marine deckchair, WB, Oil				
Content:	Cover Page				
Revision		Date:		Ref	Page
Issue				IDX	01/08



© Copyright Notice:
 "This Drawing is copyright protected and is the property of Scancom International A/S. The drawing may not be reproduced or copied without written approval from Scancom International A/S. All rights reserved Scancom International A/S 2005. Violations will be prosecuted."



Date issued: **05 SEP 2011**
 ScanCom Vietnam
 Technical section
 Any Query, please contact Technical Sec.

Product name / Tên sản phẩm: Marine deckchair, WB, Oil

Content: Assembly Instruction

Hướng Dẫn Lắp Ráp

Approved Scale: HNC 1:1

Revision Date: AI

Page: 02/08



© Copyright Notice: This Drawing is copyright protected and is the property of Scancom International AS. The drawing may not be reproduced or copied without written approval from Scancom International AS. All rights reserved Scancom International AS 2005. Violations will be prosecuted.

© Copyright Notice:
 This Drawing is copyright protected and is the property of Scancom International A/S. The drawing may not be reproduced or copied without written approval from Scancom International A/S. All rights reserved Scancom International A/S 2005. Violations will be prosecuted.



ScanCom International

Content: Nội dung:
 Product name / Tên sản phẩm: Marine deckchair, WB, Oil

Hình Chiếu Bên

Side View

Marine deckchair, WB, Oil

PNM37B

Drawing code:

HNC

1:8

Date:

Approved

Scale


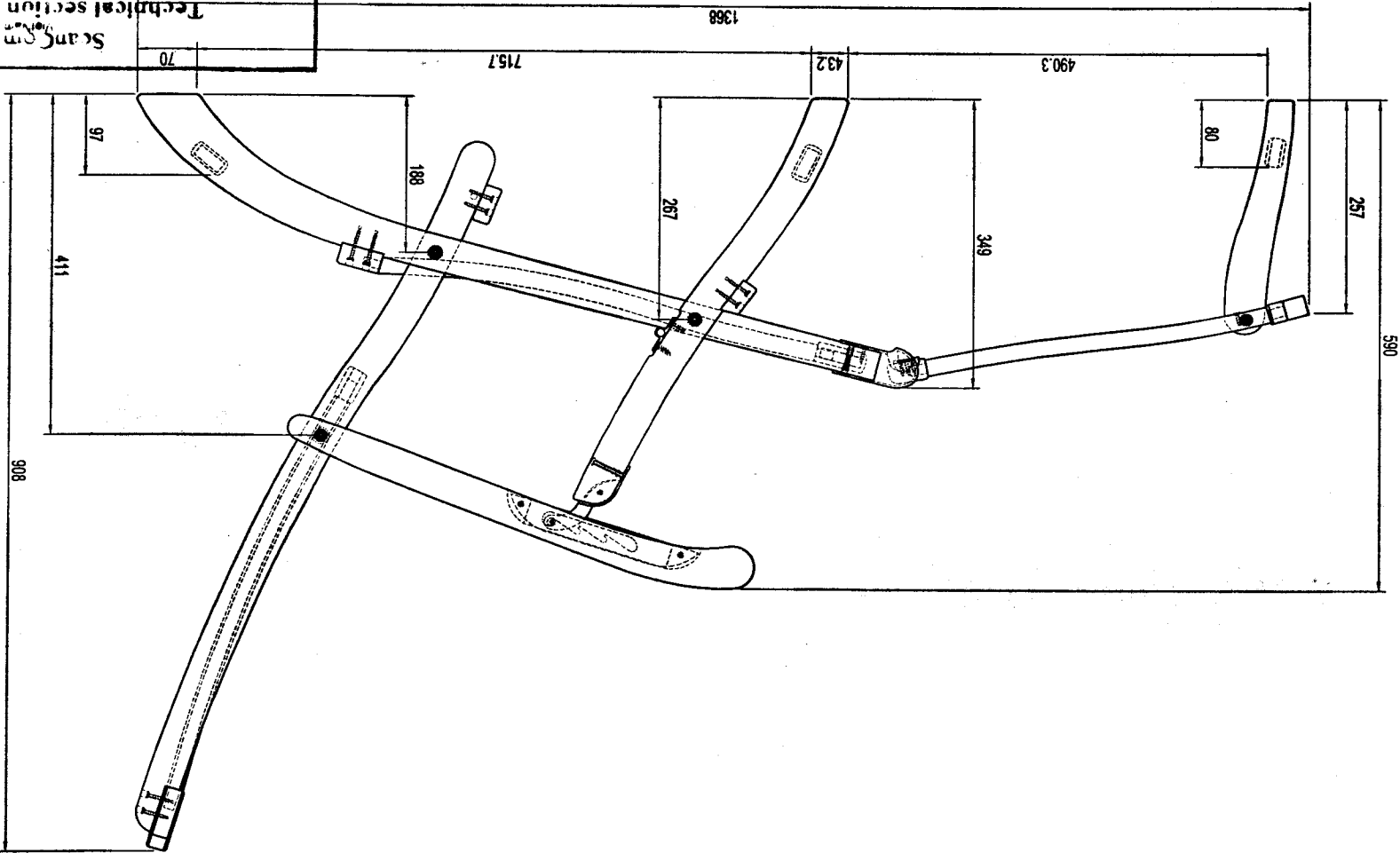
Revision

B

Technical section

ScanCom

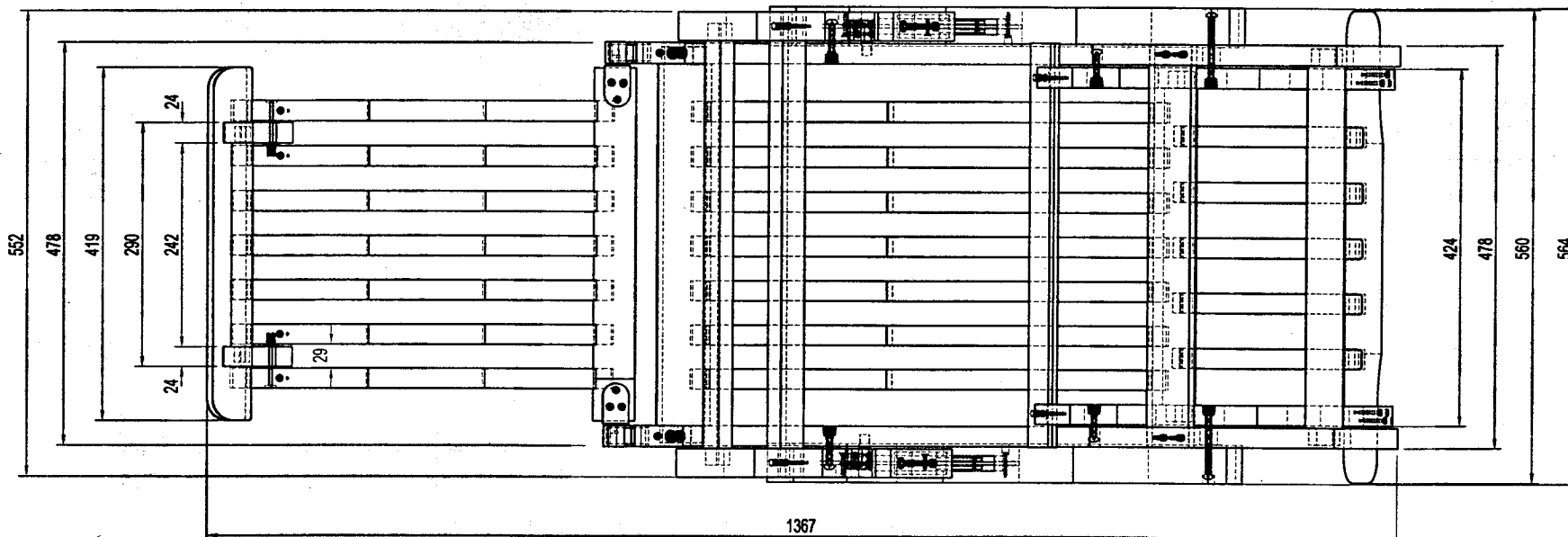
Date issued: 06 SEP 2011

SV

Page

B



ScanCom
Vietnam

Technical section

Date issued: **05 SEP 2011**

Any Query, please contact Technical Sec.

© Copyright Notice:

"This Drawing is copyright protected and is the property of Scancom International A/S. The drawing may not be reproduced or copied without written approval from Scancom International A/S. All rights reserved Scancom International A/S 2005. Violations will be prosecuted."



**ScanCom
International**

Product name / Tên sản phẩm:

Marine deckchair, WB, Oil

Content:

Front View

Nội dung

Hình Chiếu Đứng

Approved

HNC

Scale

1:8

Revision

B

Date:

Ref

Page

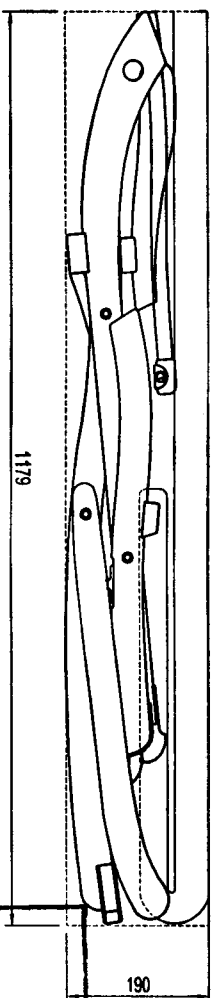
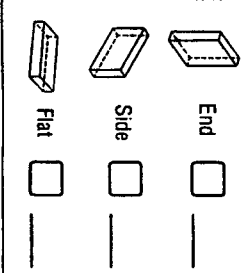
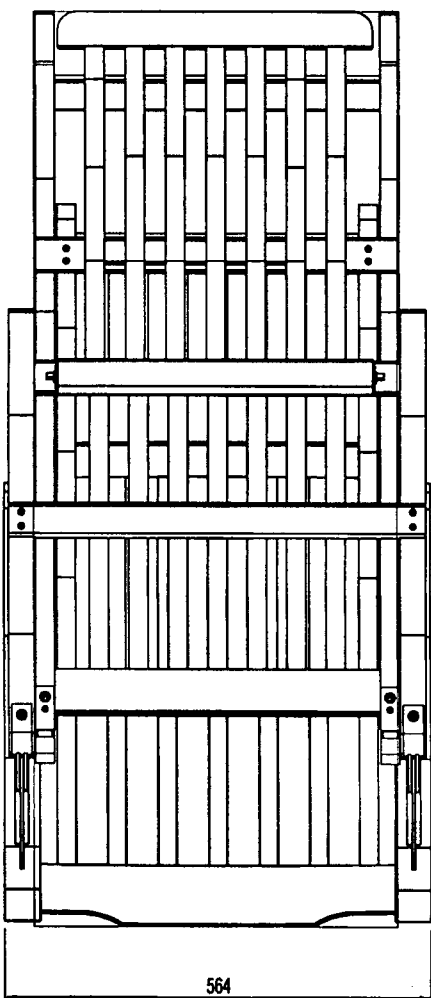
Drawing code:


PN437B

FV

04/08

Carton box with cushion





ScanCom

 Technical section

Date issued: **05 SEP 2011**

Any Query, please contact Technical Sec.

© Copyright Notice:
 This Drawing is copyright protected and is the property of Scancom International AS. The drawing may not be reproduced or copied without written approval from Scancom International AS. All rights reserved Scancom International AS 2005. Violations will be prosecuted *



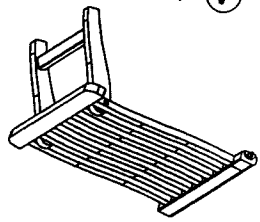
Product name / Tên sản phẩm:		Approved		Scale		Revision	
Marine deckchair, WB, Oil		HNC		1:10		Date: 31/08/07	
Content:		Drawing code:		Ref		Page	
Folding Dimension		PMA37B		FD		06/08	
Mã dung							

ASSEMBLY INSTRUCTION

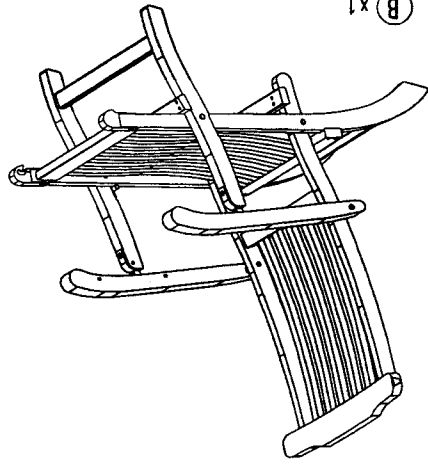
DE - MONTAGEANWEISUNG
 FR - INSTRUCTIONS DE MONTAGE
 DK - MONTAGEVEJLEDNING
 CZ - NÁVOD K MONTÁŽI
 ES - INSTRUCCIONES DE MONTAJE
 FI - ASENNUSOHJE

HR - UPUTE ZA MONTAŽU
 SE - MONTERINGSANVISNING
 SK - NAVODILA ZA MONTAŽO
 TR - MONTAJ TALIMATI
 NO - MONTASJEANVISNING
 IT - ISTRUZIONI DI MONTAGGIO

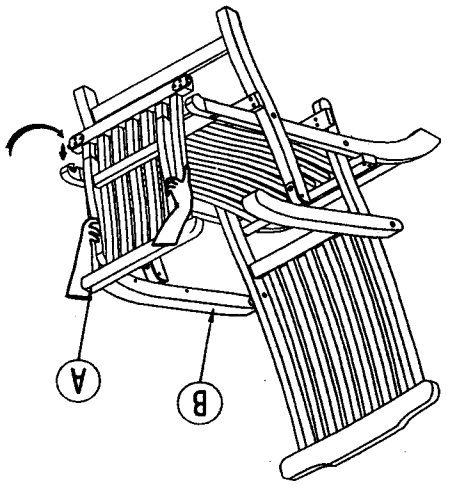
GR - ΟΔΗΓΙΑ ΣΥΝΑΡΜΟΛΟΓΗΣΗΣ
 NL - MONTAGE INSTRUCTIE
 PT - INSTRUÇÕES DE MONTAGEM
 PL - INSTRUKCJA MONTAŻU
 HU - SZERELÉSI UTASÍTÁS



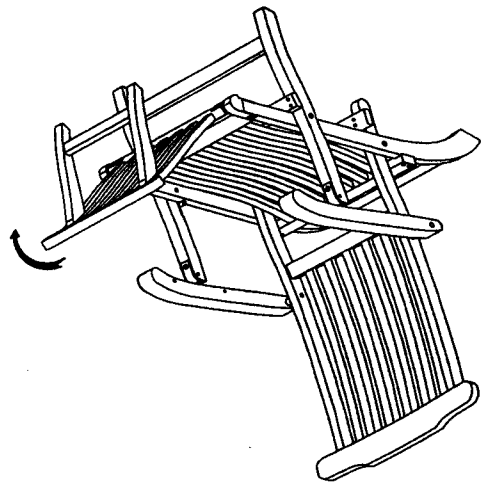
489 x 449 x 343



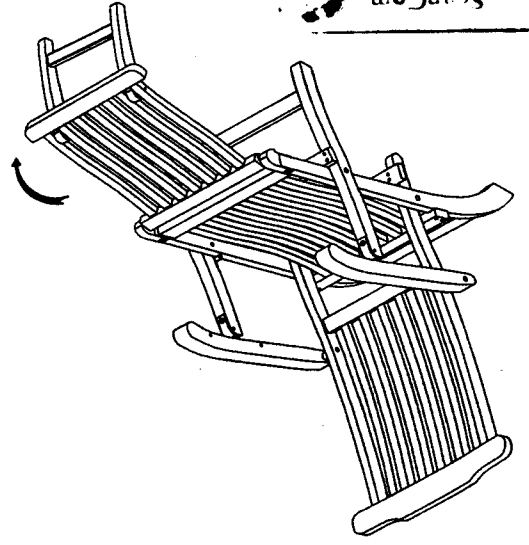
912 x 908 x 564



STEP 1



STEP 2

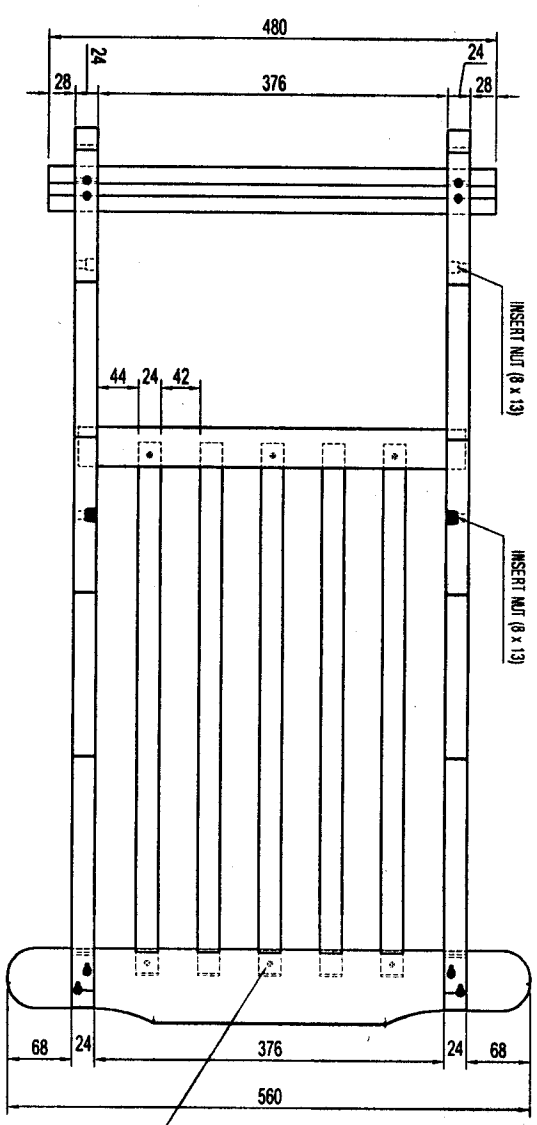
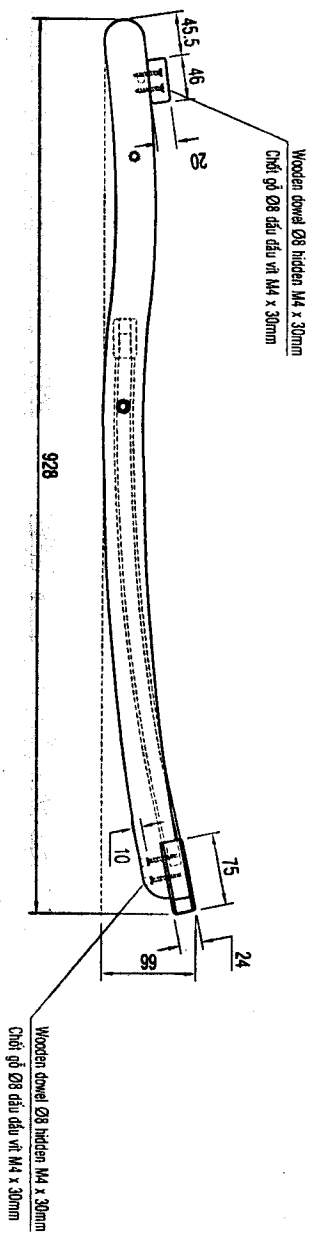


STEP 3

ScanCom
 Technical section

Date issued: 05 SEP 2011

Any Query, Please contact Technical Sec.



Wooden dowel (Ø6x20)mm
 chốt bằng gỗ khi lắp
 chốt gỗ (Ø6x20)mm và keo khóa mộng

ScanCom
 Technical section

Date issued: 06 SEP 2011

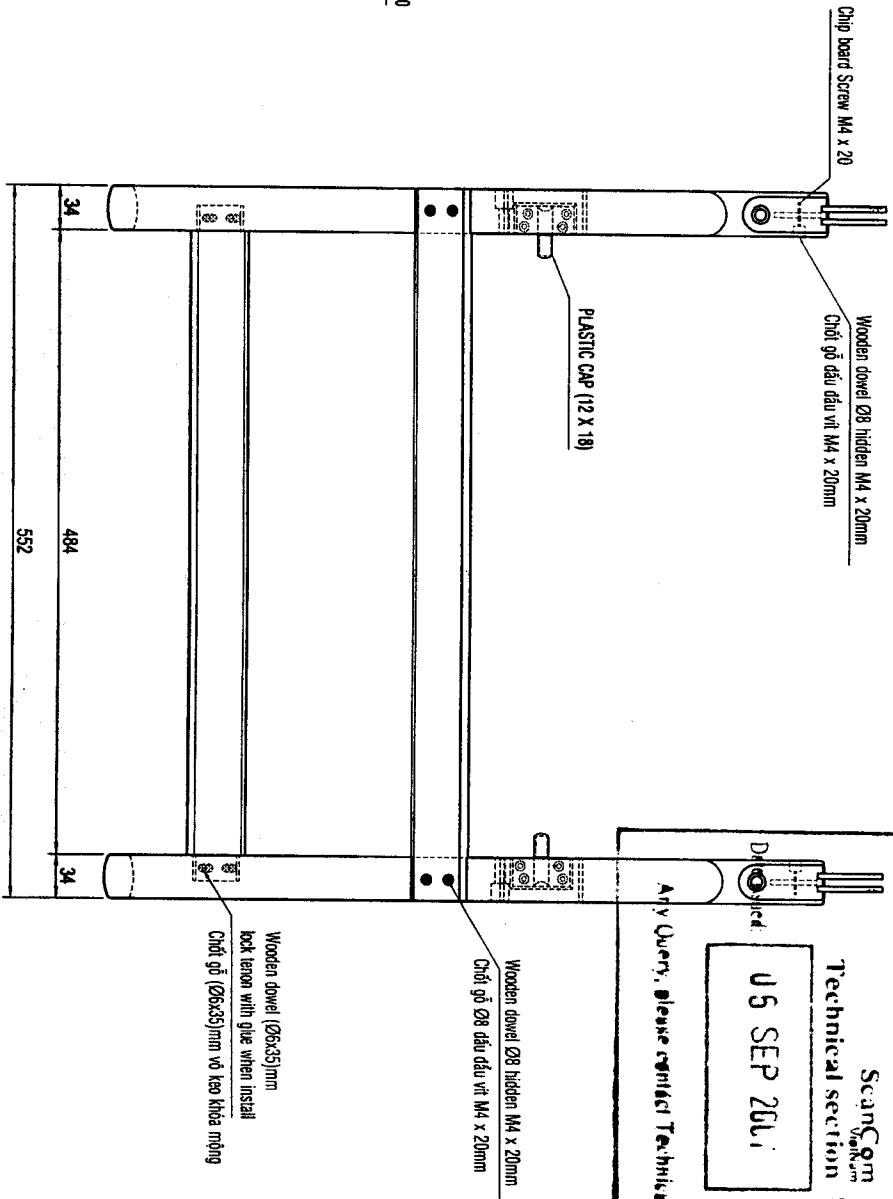
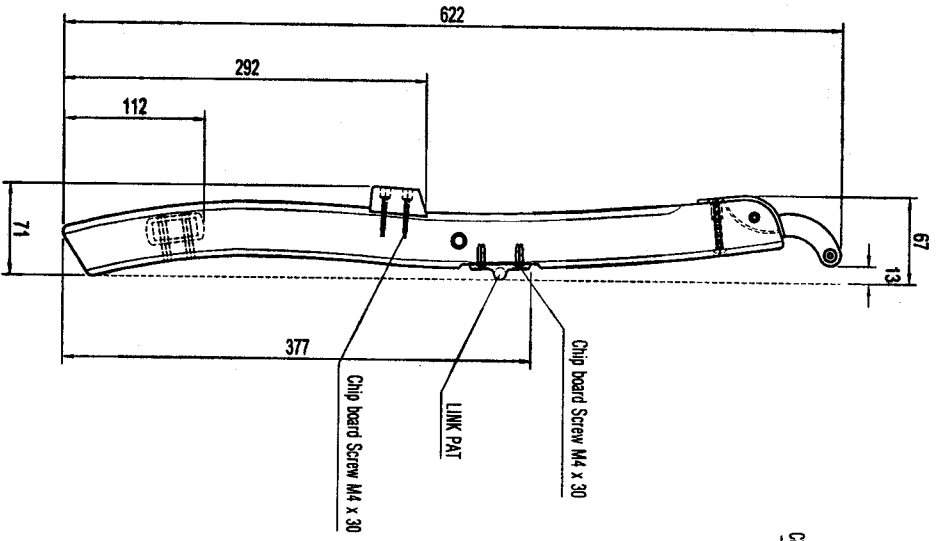
4th User


Art Technologist Sr.

© Copyright Notice:
 This Drawing is copyright, protected and is the property of Scancom International AS. The drawing may not be reproduced or copied without written approval from Scancom International AS. All rights reserved Scancom International AS 2005. Violations will be prosecuted.



Component name / Tên sản phẩm:		Back Frame	
Material / Vật liệu:		Wood	
Drawn by	Scale	Approved	Revision
DXN	1:8	HNC	Date: 30-08-07
Component code:		SU-DW-BF-0019	




ScanCom
 Vietnam
 Technical section
 U 6 SEP 2011
 Any Query, please contact Technical Sec.

© Copyright Notice:

This Drawing is copyright protected and is the property of Scancom International AS. The drawing may not be reproduced or copied without written approval from Scancom International AS. All rights reserved Scancom International AS 2005. Violators will be prosecuted.



ScanCom
International

Component name / Tên sản phẩm:

Leg frame

Material / Vật liệu:

Wood

Drawn by

DXN

Scale

1:6

Approved

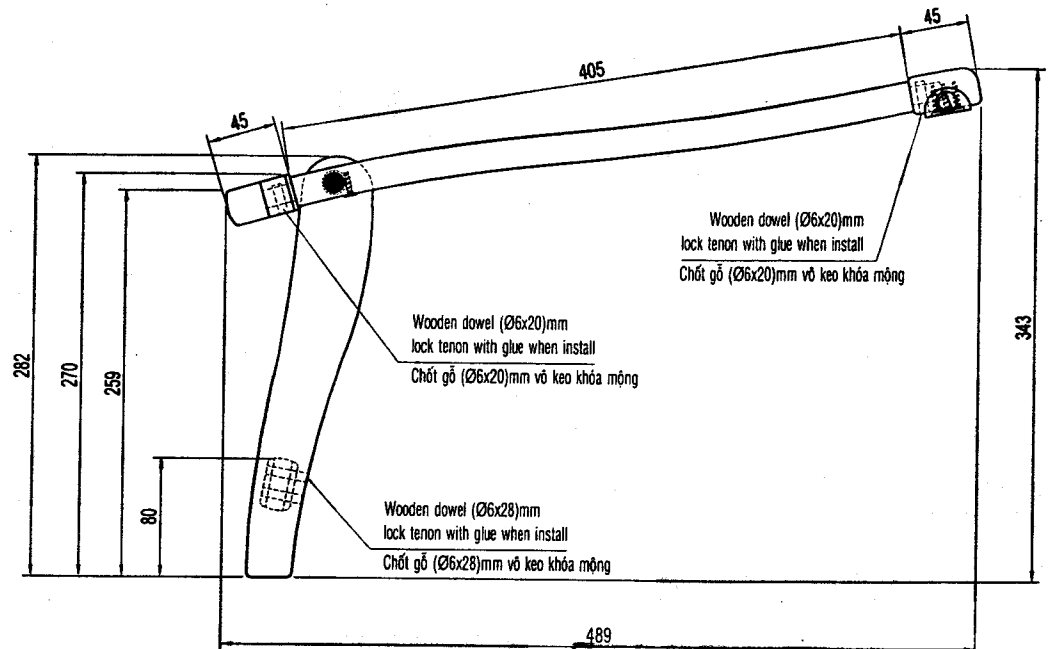
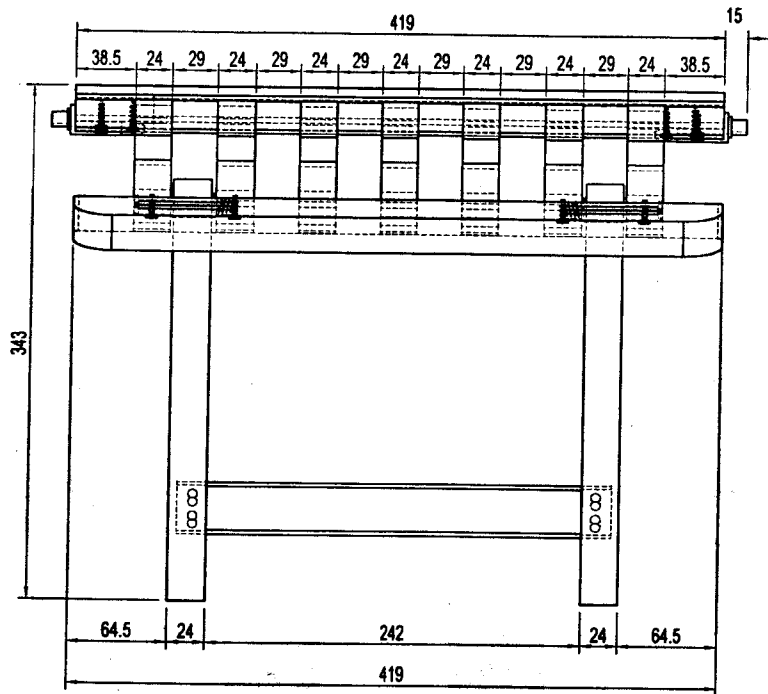
HNC

Revision

Date: 28-12-2006

Component code:

SU-DW-LF-0007



ScanCom
Vietnam

Technical section

Date issued: **05 SEP 2017**

Any Query, please contact Technical Sec.

© Copyright Notice:

"This Drawing is copyright protected and is the property of Scancom International A/S. The drawing may not be reproduced or copied without written approval from Scancom International A/S. All rights reserved Scancom International A/S 2005. Violations will be prosecuted."



**ScanCom
International**

Component name / Tên sản phẩm:

Seat Frame

Material / Vật liệu:

Wood

Drawn by

DXN

Scale

1:5

Approved

HNC

Revision

Date: **28-12-06**

Component code:

SU-DW-ST-0003

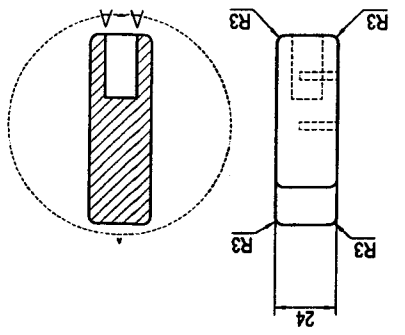
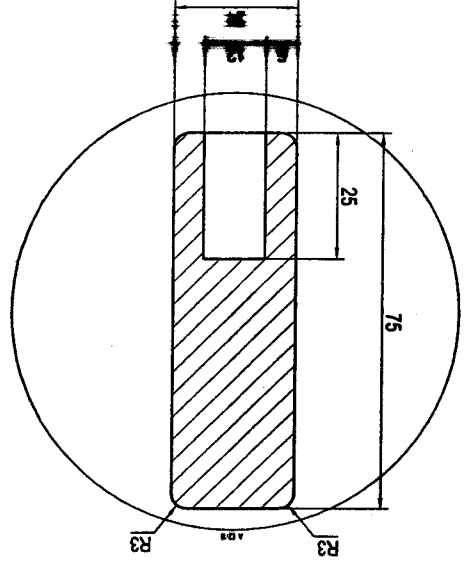
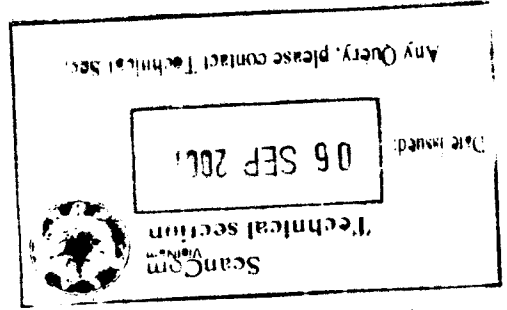
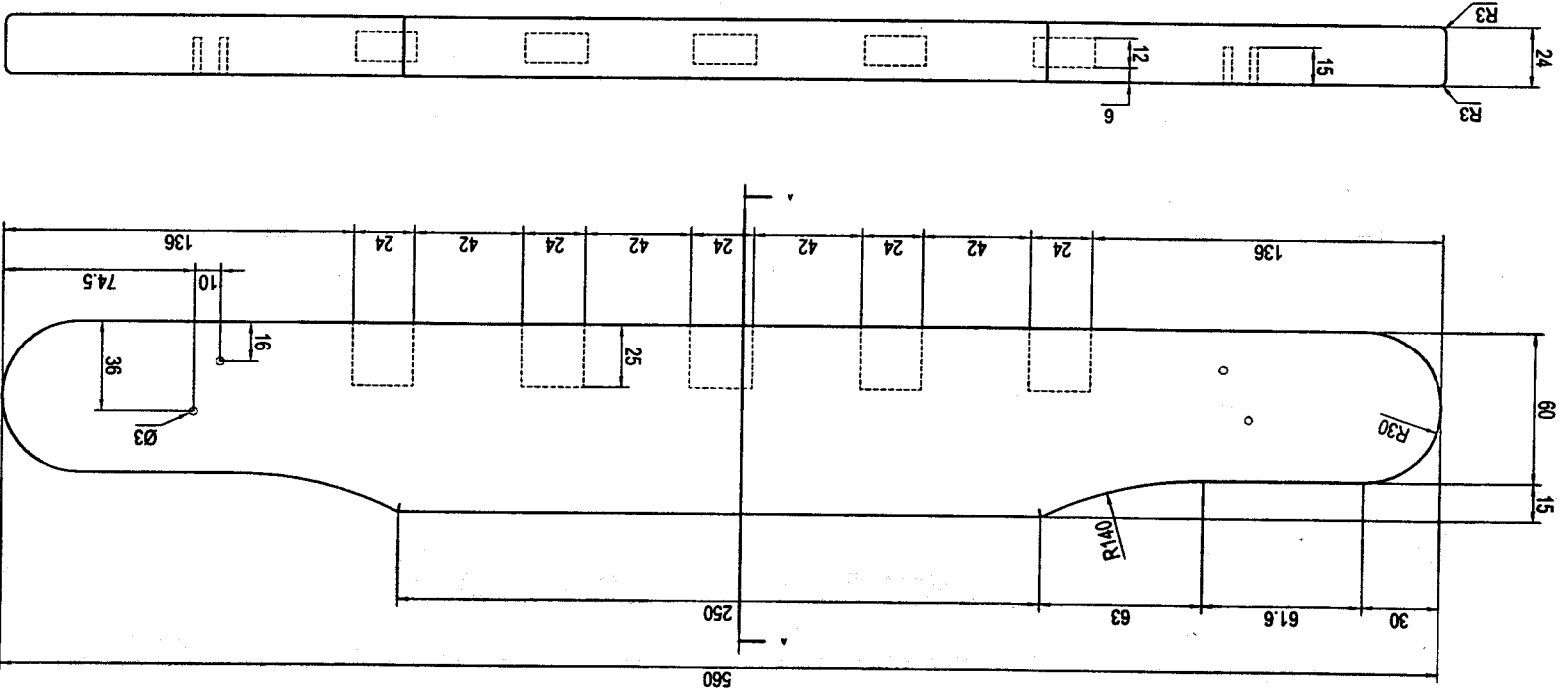
© Copyright Notice: This Drawing is copyright protected and is the property of Scancom International A/S. The drawing may not be reproduced or copied without written approval from Scancom International A/S. All rights reserved Scancom International A/S 2005. Violations will be prosecuted.

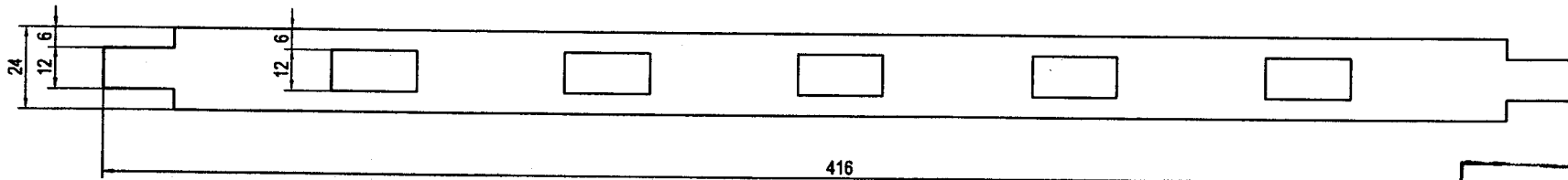
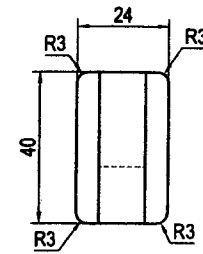
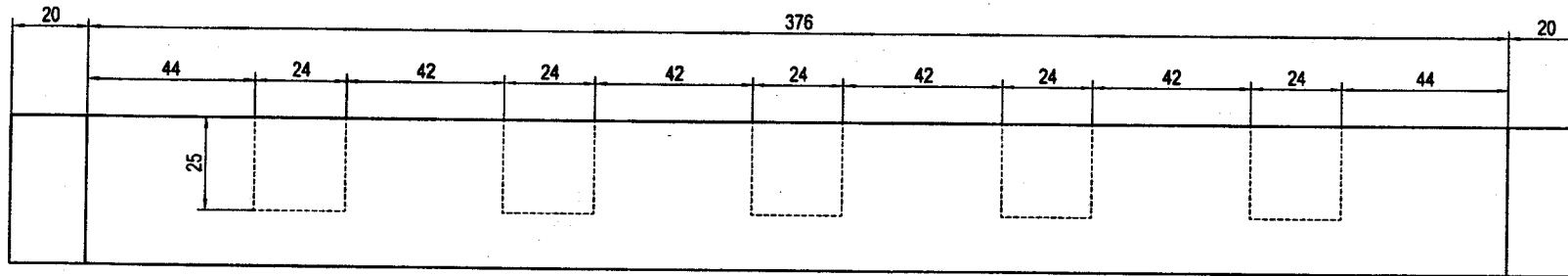



ScanCom International

Material / Vật liệu: Wood
 Component name / Tên sản phẩm: Headrest(560x75x24)

C-W-DW-HR-0024		Component code:	
Date: 30-08-2007	HNC	DXN	1:3
Revision	Approved	Drawn by	Scale







ScanCom
 Vietnam
Technical section

Date issued: **06 SEP 2007**

© Copyright Notice:

"This Drawing is copyright protected and is the property of Scancom International A/S. The drawing may not be reproduced or copied without written approval from Scancom International A/S. All rights reserved Scancom International A/S 2005. Violations will be prosecuted."



ScanCom
International

Component name / Tên sản phẩm:

Backrest(416x40x24)

Material / Vật liệu:

Wood

Drawn by

Scale

Approved

Revision

DXN

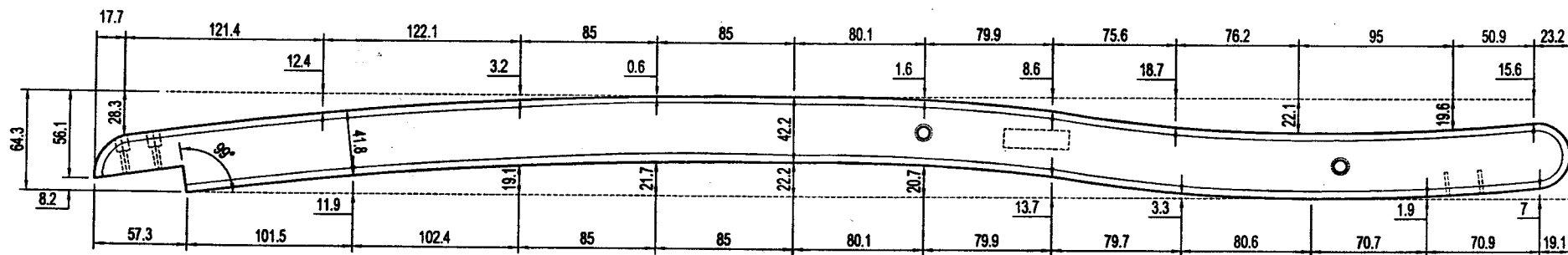
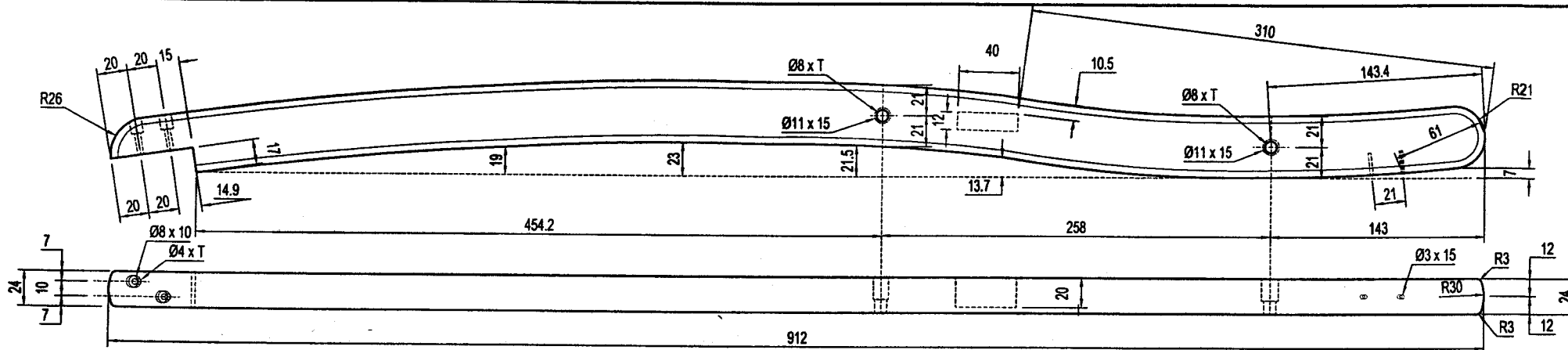
1:2

HNC

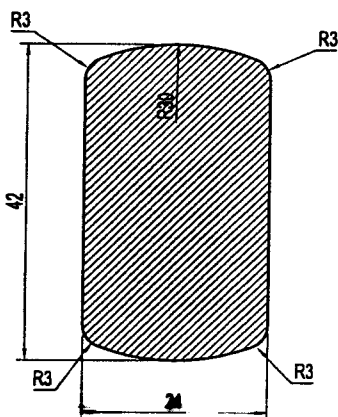
Date: 30-08-2007

Component code:

C-W-DW-BR-0030



Cross Section
SCALE : 1 / 1



ScanCom
VietNam
Technical section

Date issued: 06 SEP 2007

Any Query, please contact Technical Sec.

© Copyright Notice:

"This Drawing is copyright protected and is the property of Scancom International A/S. The drawing may not be reproduced or copied without written approval from Scancom International A/S. All rights reserved Scancom International A/S 2005. Violations will be prosecuted."



ScanCom
International

Component name / Tên sản phẩm:

Sidebar(912x42x24)

Material / Vật liệu:

Wood

Drawn by

Scale

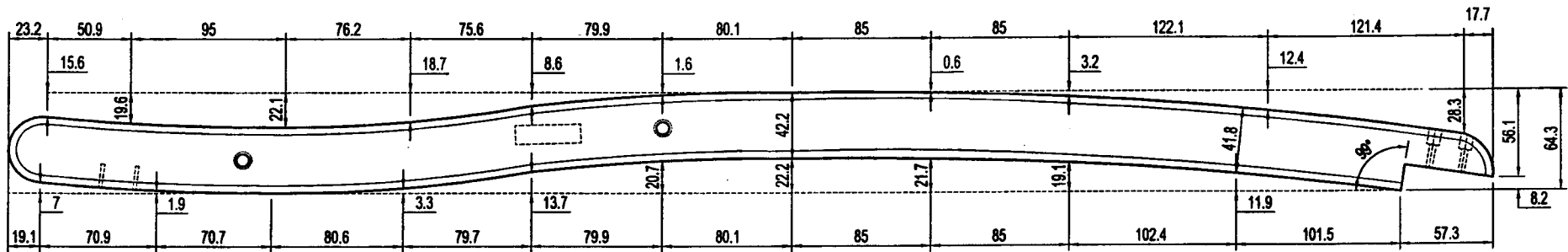
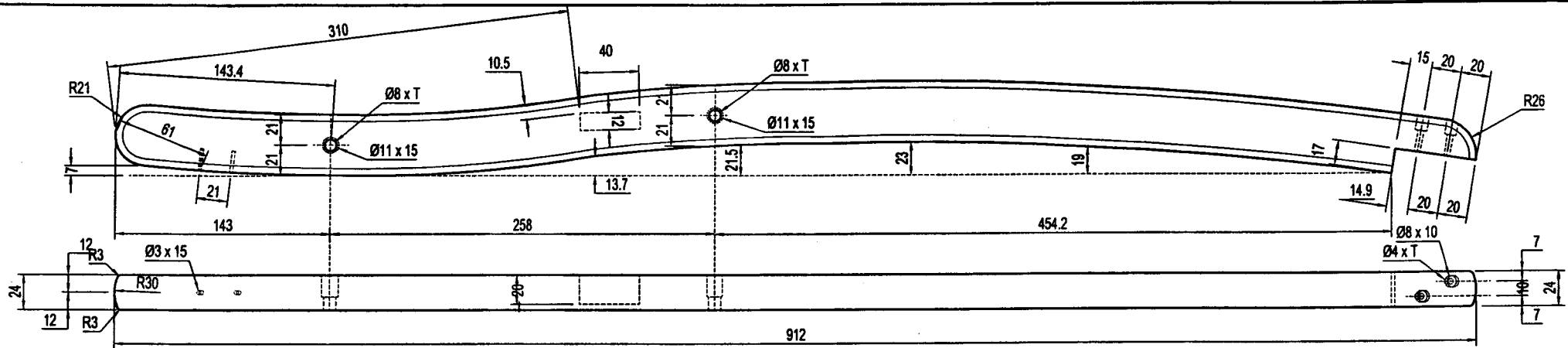
Approved

Revision

Component code:

C-W-DW-SB-0006

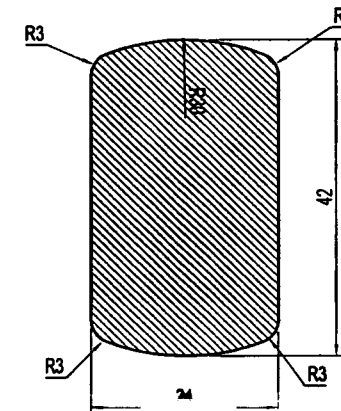
DXN 1:4 HNC Date: 30-08-2007



ScanCom
Vig Nam
Technical section

Date issued: 06 SEP 2007

Any Query, please contact Technical Sec.



Cross Section
SCALE : 1 / 1

© Copyright Notice:

"This Drawing is copyright protected and is the property of Scancorn International A/S. The drawing may not be reproduced or copied without written approval from Scancorn International A/S. All rights reserved Scancorn International A/S 2005. Violations will be prosecuted."



ScanCom
International

Component name / Tên sản phẩm:

Sidebar(912x42x24)

Material / Vật liệu:

Wood

Drawn by

Scale

Approved

Revision

DXN

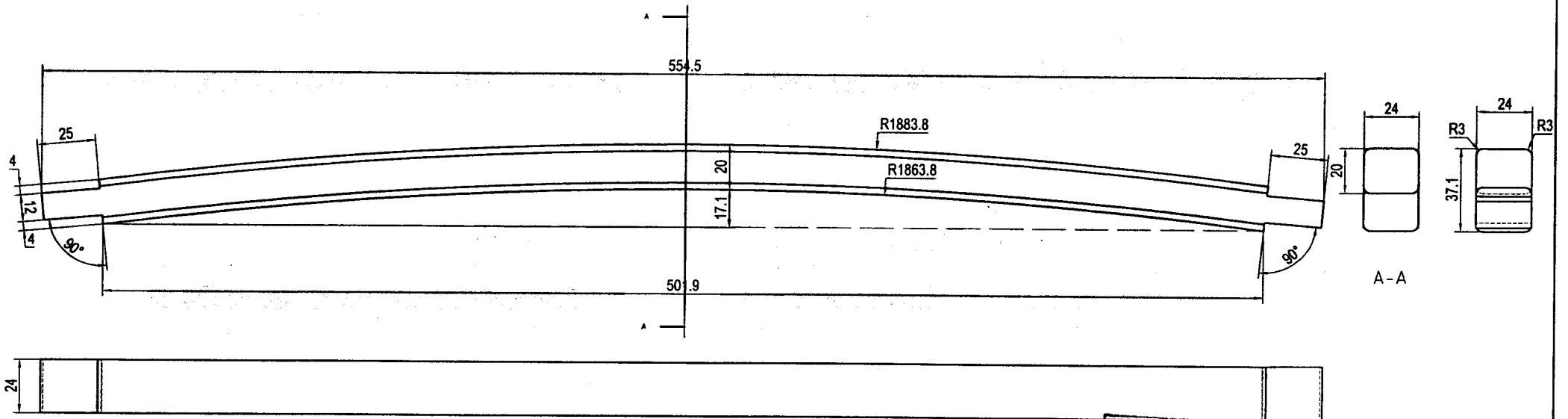
1:4

HNC

Date: 30-08-2007

Component code:

C-W-DW-SB-0087



ScanCom
Vietnam

Technical section

Date issued: 06 SEP 2007

Any Query, please contact Technical Sec.

© Copyright Notice:

"This Drawing is copyright protected and is the property of Scancom International A/S. The drawing may not be reproduced or copied without written approval from Scancom International A/S. All rights reserved Scancom International A/S 2005. Violations will be prosecuted."



Scancom
International

Component name / Tên sản phẩm:

Slat(555x24x20)

Material / Vật liệu:

Wood

Drawn by

DXN

Scale

1:2.5

Approved

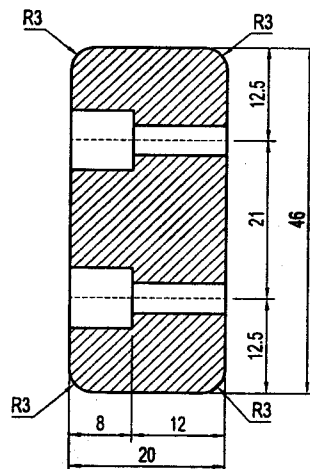
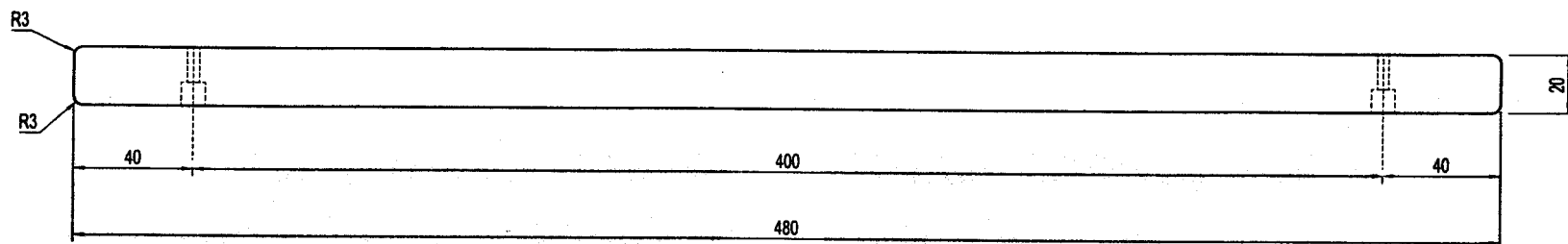
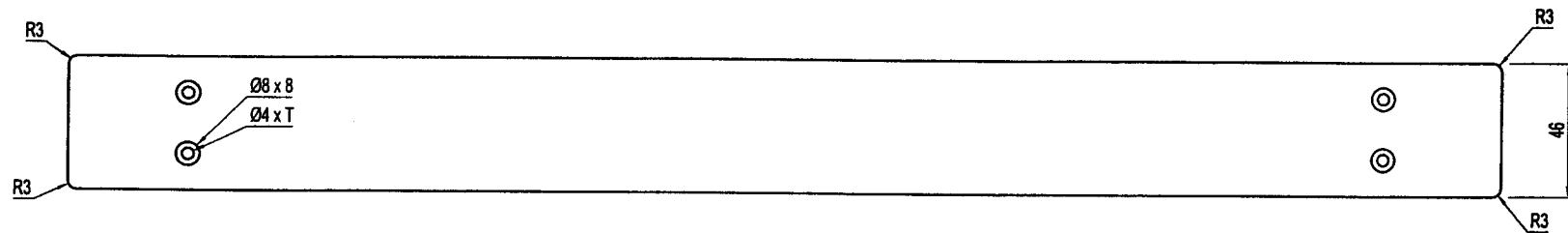
HNC

Revision

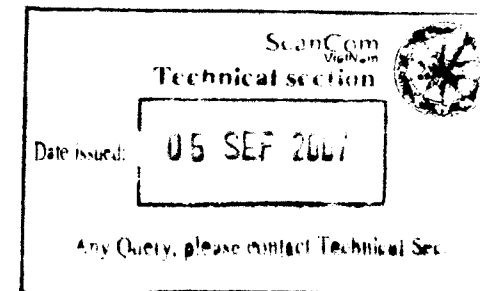
Date: 30-08-07

Component code:

C-W-DW-ST-0064



Cross Section
SCALE : 1 / 1



© Copyright Notice:

"This Drawing is copyright protected and is the property of Scancom International A/S. The drawing may not be reproduced or copied without written approval from Scancom International A/S. All rights reserved Scancom International A/S 2005. Violations will be prosecuted."



ScanCom
International

Component name / Tên sản phẩm:

Crossbar(480x46x20)

Material / Vật liệu:

Wood

Drawn by	Scale	Approved	Revision
DXN	1:2.5	HNC	Date: 28-12-2006

Component code:

C-W-DW-CB-0036

© Copyright Notice: This Drawing is copied without approval from Scancom International A/S. All rights reserved Scancom International A/S 2005. Violations will be prosecuted.



Wood

C-W-DW-CB-0036

Crossbar(470x60x24)

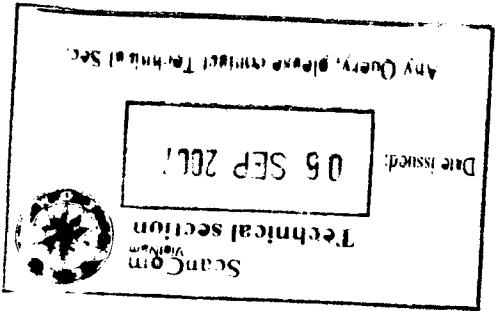
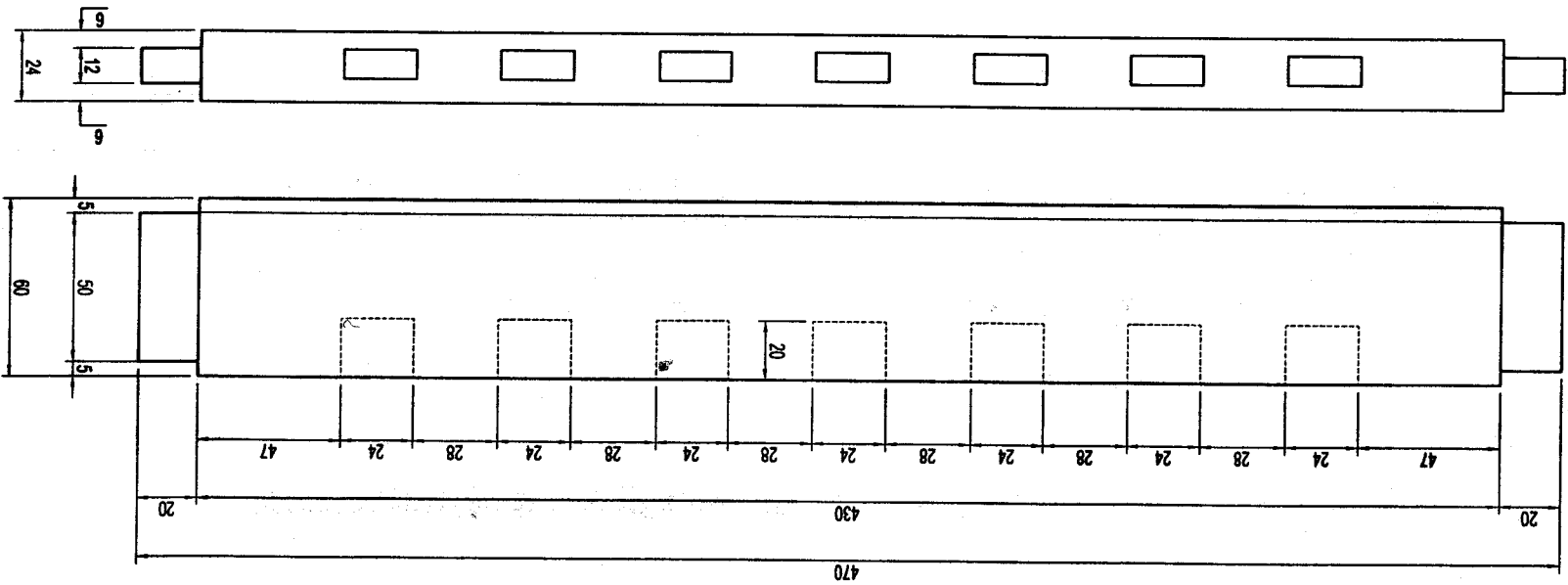
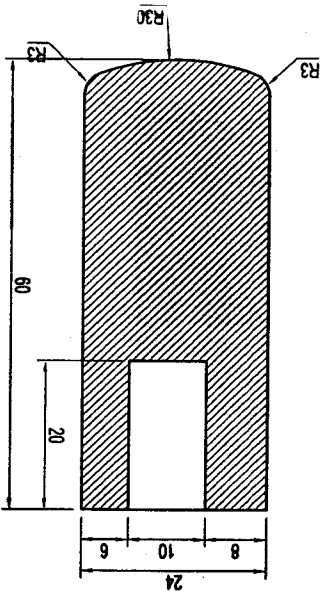
Material / Vật liệu:

Component code:

DXN	1:2.5	HNC	Date: 28-12-2006
Drawn by	Scale	Approved	Revision

Component name / Tên sản phẩm:

Cross Section
SCALE : 1 / 1



© Copyright Notice: This Drawing is copyright protected and is the property of Scancom International A/S. The drawing may not be reproduced or copied without written approval from Scancom International A/S. All rights reserved Scancom International A/S 2005. Violations will be prosecuted.



Scancom International

Material / Vât liệu:

Wood

Component name / Tên sản phẩm:

Slat(559x24x20)

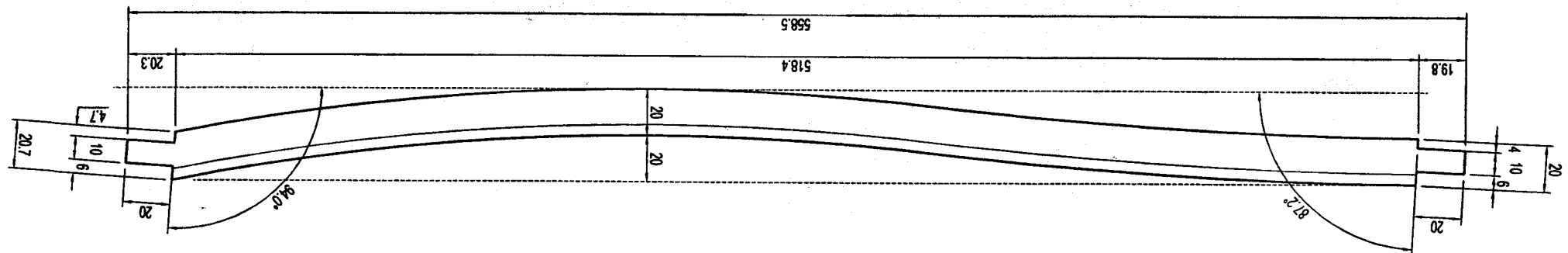
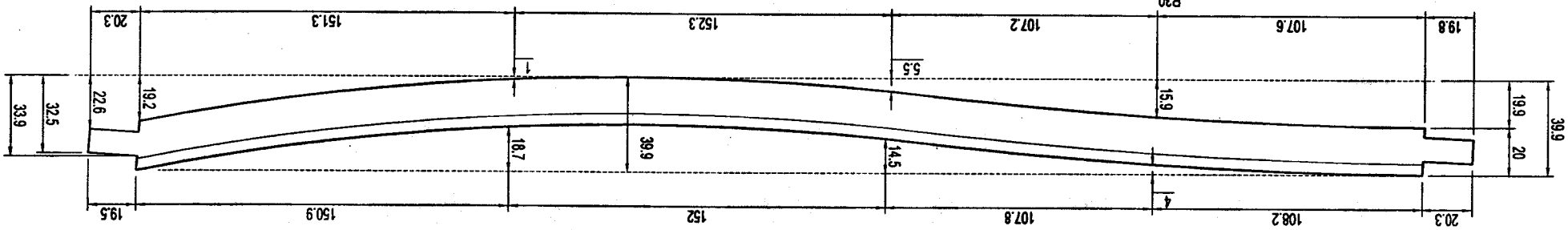
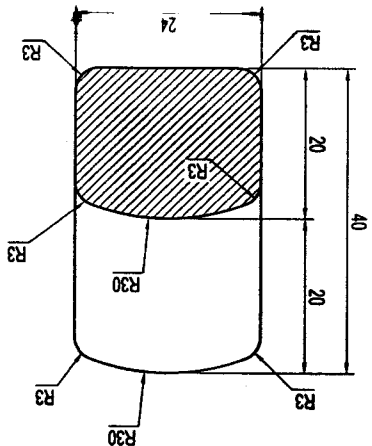
Component code:

C-W-DW-ST-0029

DXN 1:2.5 HNC Date: 28-12-06

Drawn by Scale Approved Revision

PROJECTION
SCALE : 1 / 1



Scancom International
Technical section
Date issued: 06 SEP 2006
Any Query, please contact Technical Set

© Copyright Notice:

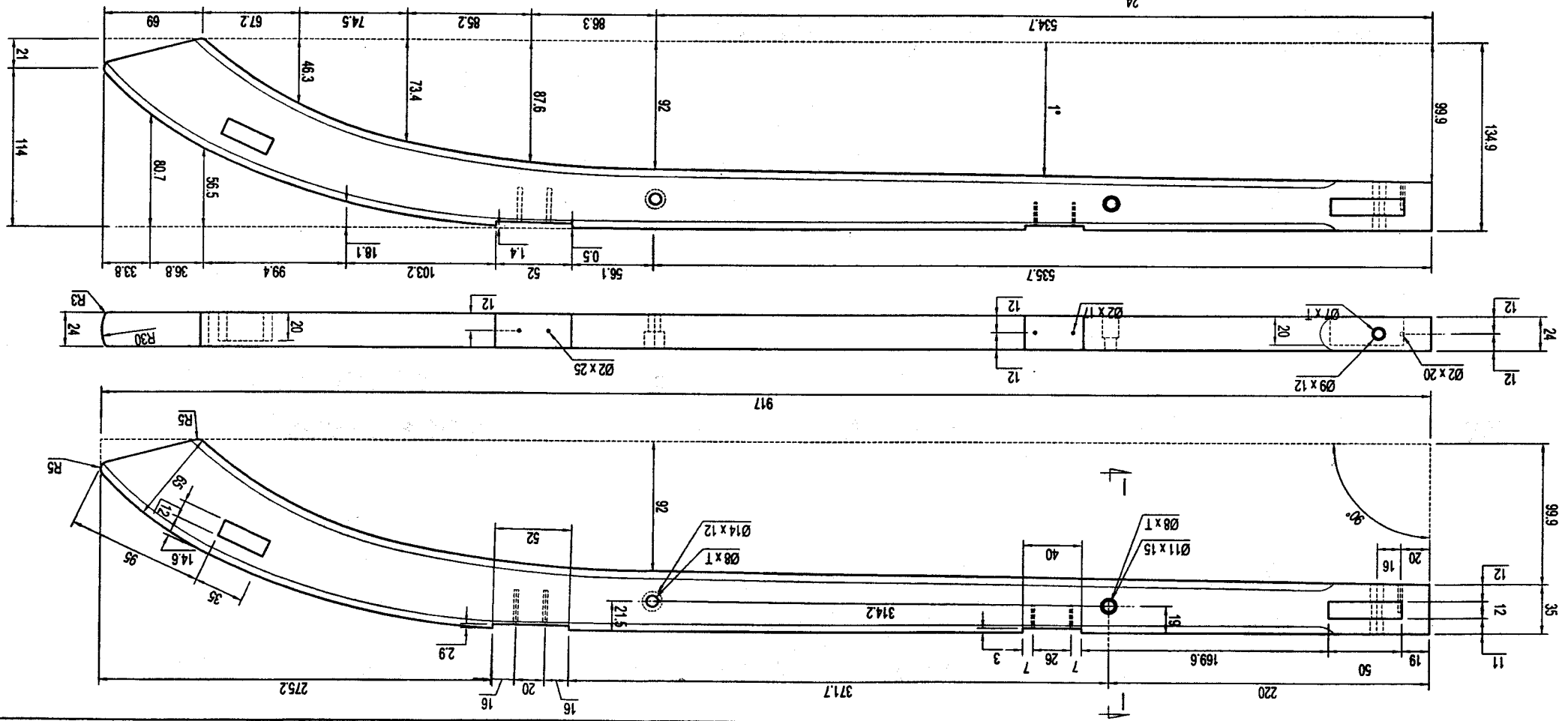
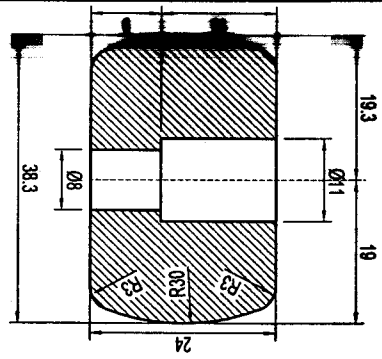
This Drawing is copyright protected and is the property of Scancom International AS. The drawing may not be reproduced or copied without written approval from Scancom International AS. All rights reserved Scancom International AS 2005. Violations will be prosecuted.



Component name / Tên sản phẩm: Leg(917x65x24)
Material / Vật liệu: Wood

Component code: C-W-DW-LG-0053
Date: 28-12-2006
Revision: HNC
Drawn by: DXN
Scale: 1:4
Approved: HNC

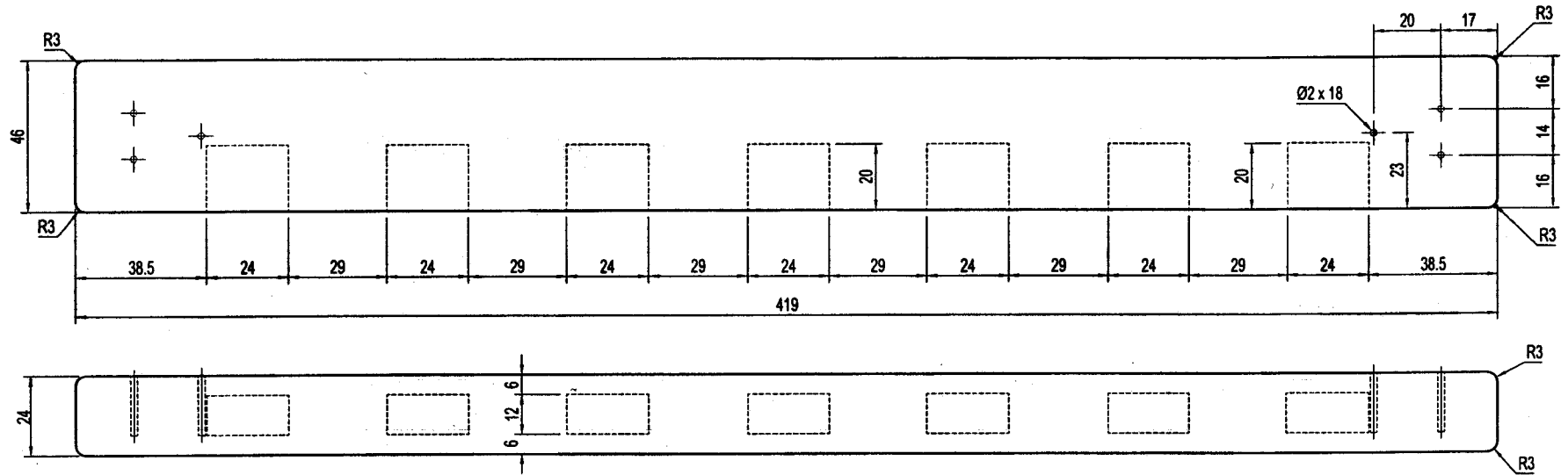
Cross Section II
SCALE : 1 / 1



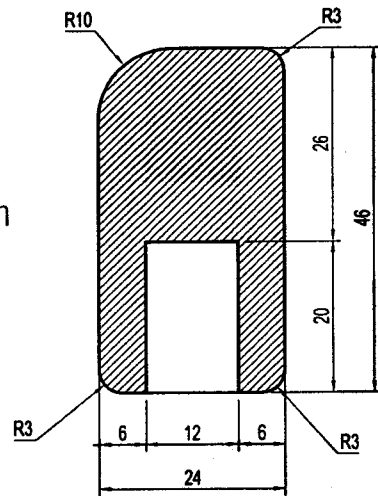
Any Query, please contact Technical Sec

Date issued: 06 SEP 2011

Technical section



Cross Section
SCALE : 1 / 1



ScanCom
Vietnam

Technical section

Date issued: 06 SEP 2007

Any Query, please contact Technical Sec

© Copyright Notice:

"This Drawing is copyright protected and is the property of Scancom International A/S. The drawing may not be reproduced or copied without written approval from Scancom International A/S. All rights reserved Scancom International A/S 2005. Violations will be prosecuted."



ScanCom
International

Component name / Tên sản phẩm:

Crossbar(419x46x24)

Material / Vật liệu:

Wood

Drawn by

DXN

Scale

1:2

Approved

HNC

Revision

Date: 29-12-2006

Component code:

C-W-DW-CB-0041

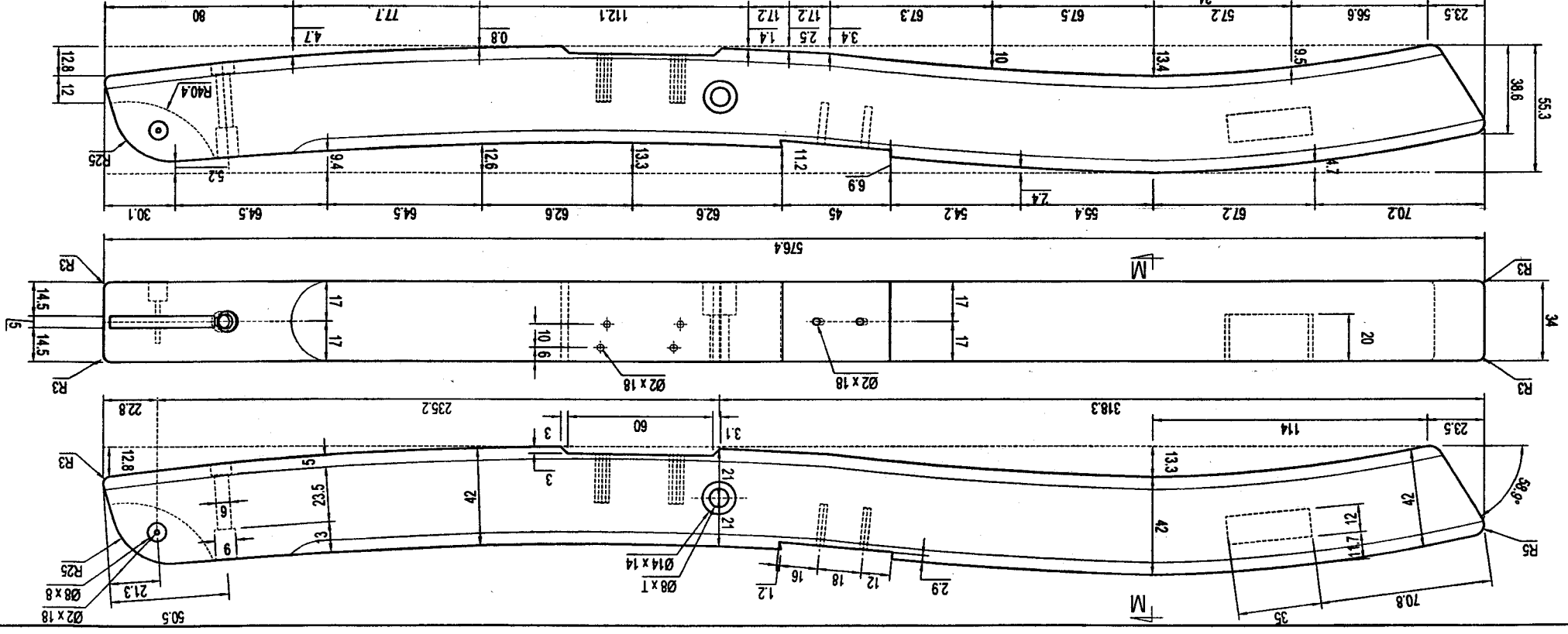
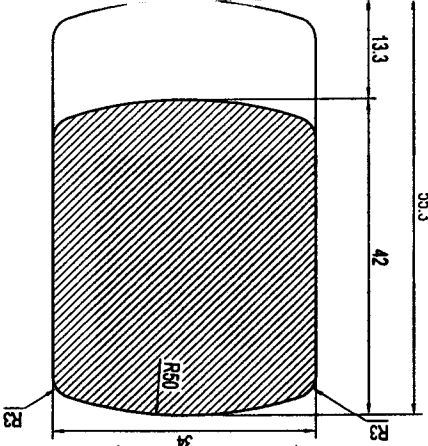
© Copyright Notice: This Drawing is copyright protected and is the property of Scancom International A/S. The drawing may not be reproduced or copied without written approval from Scancom International A/S. All rights reserved Scancom International A/S 2005. Violations will be prosecuted.



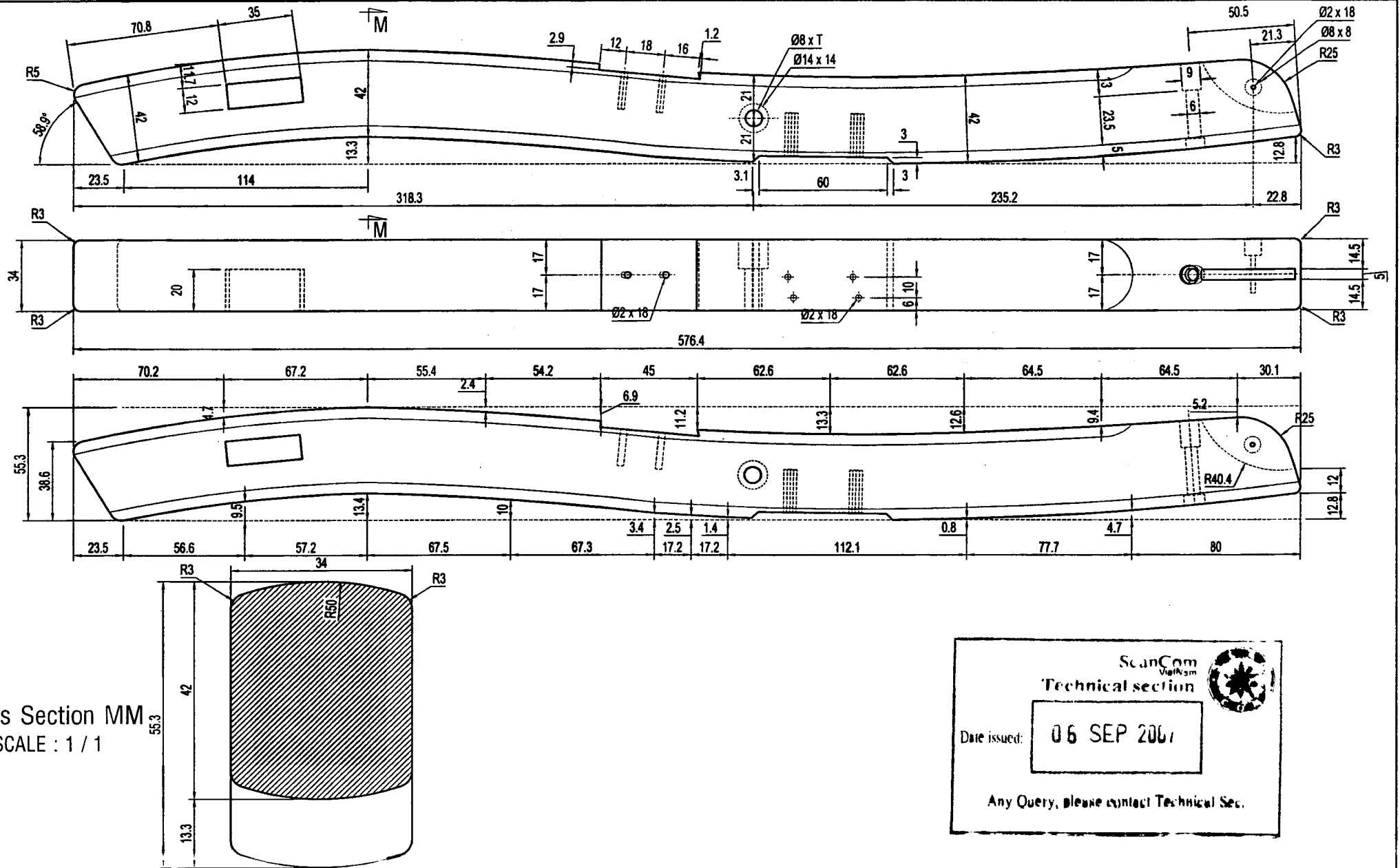
Component name / Tên sản phẩm: Leg(577x42x34)
 Material / Vật liệu: Wood

Component code: C-W-DW-LG-0056
 Drawn by: DNX
 Scale: 1:2.5
 Approved: HNC
 Date: 28-12-2006
 Revision:

Cross Section MM
 SCALE : 1 / 1



ScanCom
 Technical section
 Date issued: 06 SEP 2007
 Any Query, Please Contact Technical Sec.



Cross Section MM
SCALE : 1 / 1

ScanCom
Via Wisam
Technical section

Date issued: 06 SEP 2006

Any Query, please contact Technical Sec.

© Copyright Notice:

"This Drawing is copyright protected and is the property of Scancom International A/S. The drawing may not be reproduced or copied without written approval from Scancom International A/S. All rights reserved Scancom International A/S 2005. Violations will be prosecuted."



ScanCom
International

Component name / Tên sản phẩm:

Leg(577x42x34)

Material / Vật liệu:

Wood

Drawn by

DXN

Scale

1:2.5

Approved

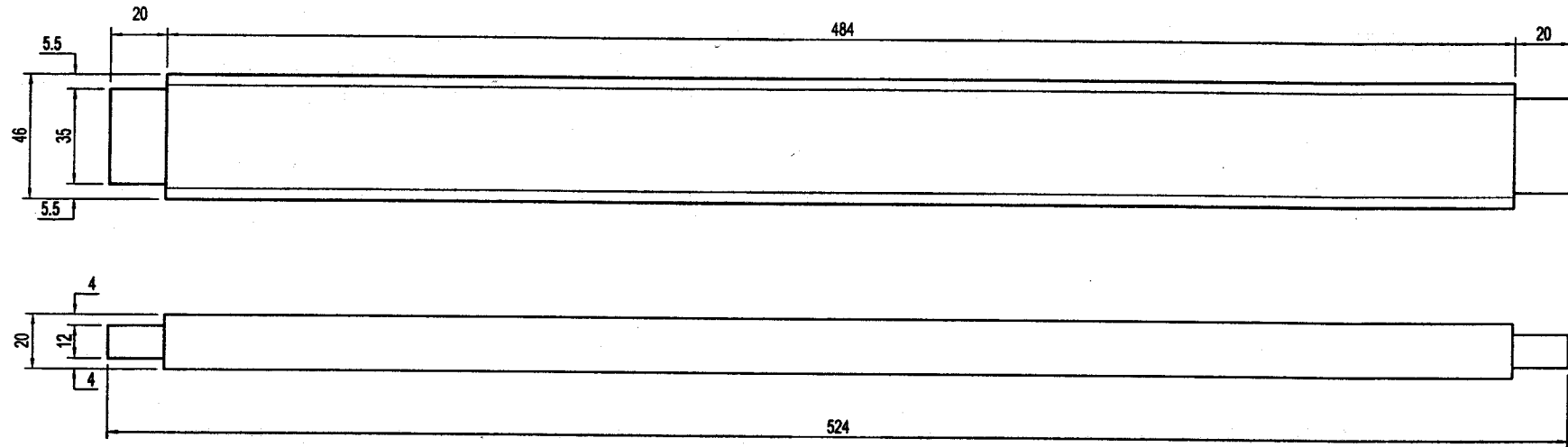
HNC

Revision

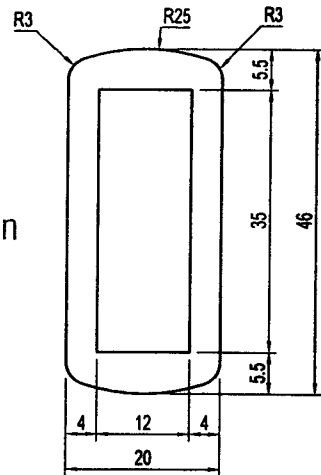
Date: 28-12-2006

Component code:

C-W-DW-LG-0057



Cross Section
SCALE : 1 / 1



ScanCom
Technical section

Date issued: 06 SEP 2007

Any Query, please contact Technical Sec.

© Copyright Notice:

"This Drawing is copyright protected and is the property of Scancom International A/S. The drawing may not be reproduced or copied without written approval from Scancom International A/S. All rights reserved Scancom International A/S 2005. Violations will be prosecuted."



ScanCom
International

Component name / Tên sản phẩm:

Crossbar(20x46x524)

Material / Vật liệu:

Wood

Drawn by

DXN

Scale

1:2.5

Approved

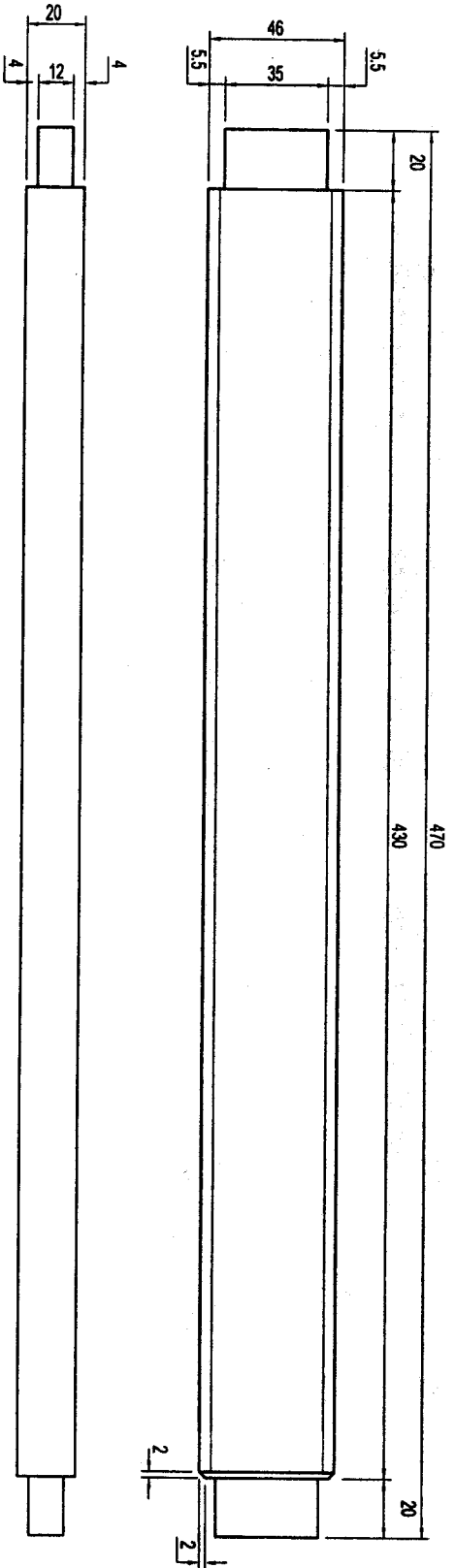
HNC

Revision

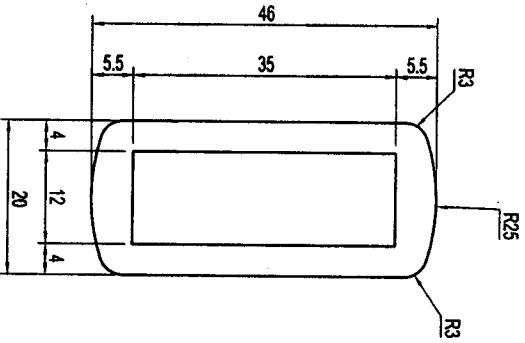
Date: 29-12-2006

Component code:

C-W-DW-CB-0043



PROJECTION
SCALE : 1 / 1



ScanCom
 Technical section
 Date issued:
05 SEP 2006
 Any Query, please contact Technical Sec.

© Copyright Notice:

"This Drawing is copyright protected and is the property of Scancom International AS. The drawing may not be reproduced or copied without written approval from Scancom International AS. All rights reserved Scancom International AS 2005. Violations will be prosecuted."



ScanCom
International

Component name / Ten sản phẩm:

Crossbar(20x46x470)

Material / Vật liệu:

Wood

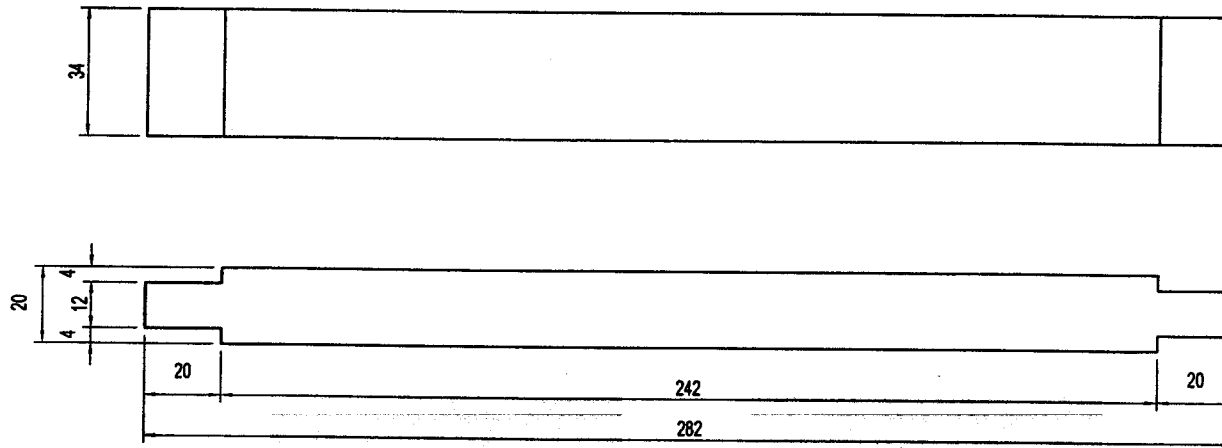
Drawn by Scale Approved

DXN 1:2.5 HNC

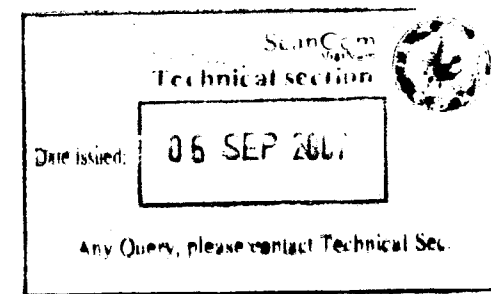
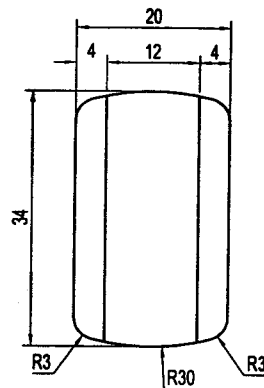
Revision

Date: 29-12-2006

Component code:
C-W-DW-CB-0044



PROJECTION
SCALE : 1 / 1



© Copyright Notice:

"This Drawing is copyright protected and is the property of Scancom International A/S. The drawing may not be reproduced or copied without written approval from Scancom International A/S. All rights reserved Scancom International A/S 2005. Violations will be prosecuted."



ScanCom
International

Component name / Tên sản phẩm:

Crossbar(282x34x20)

Material / Vật liệu:

Wood

Drawn by

Scale

Approved

Revision

DXN

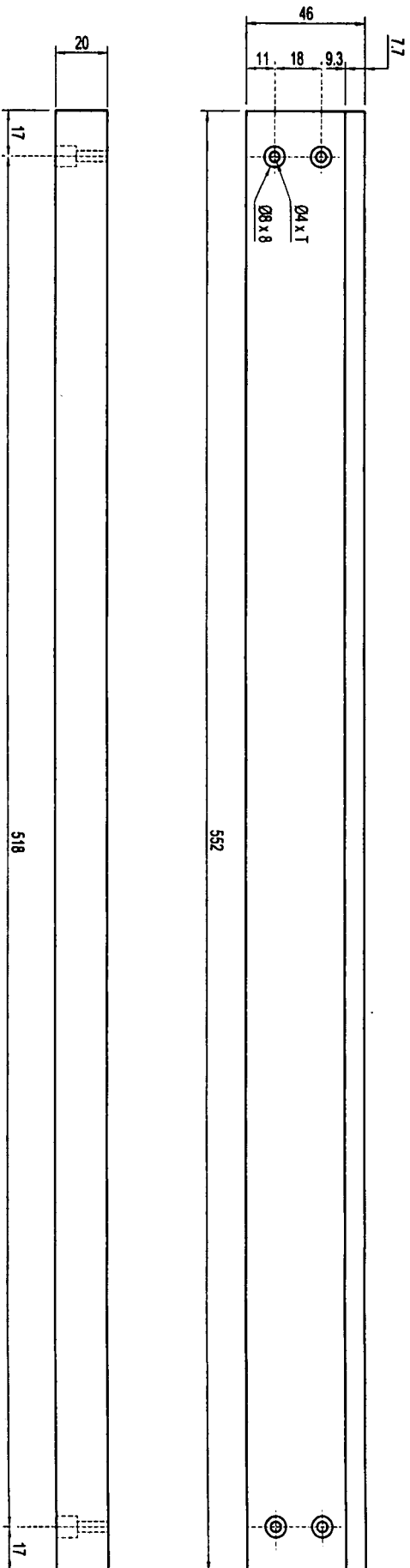
1:2

HNC

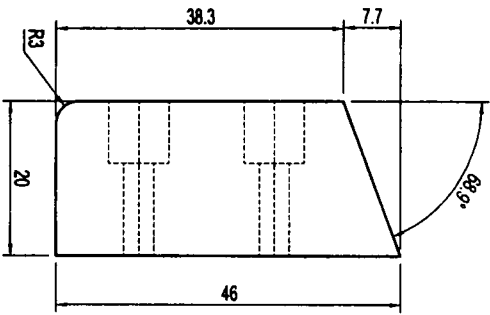
Date: 29-12-2006

Component code:

C-W-DW-CB-0042



Cross Section
SCALE : 1 / 1



ScanCom
International

Technical section

Date issued: 05 SEP 2006

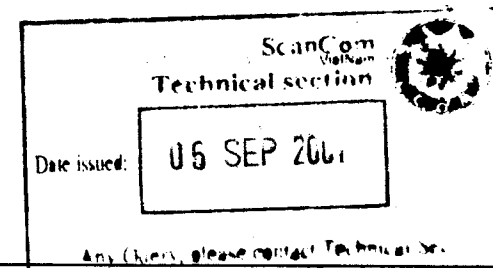
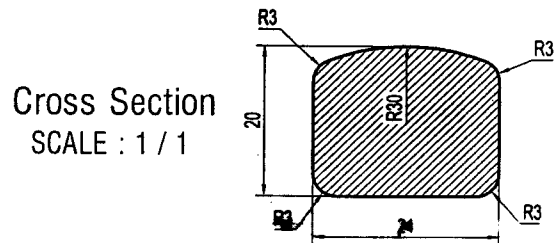
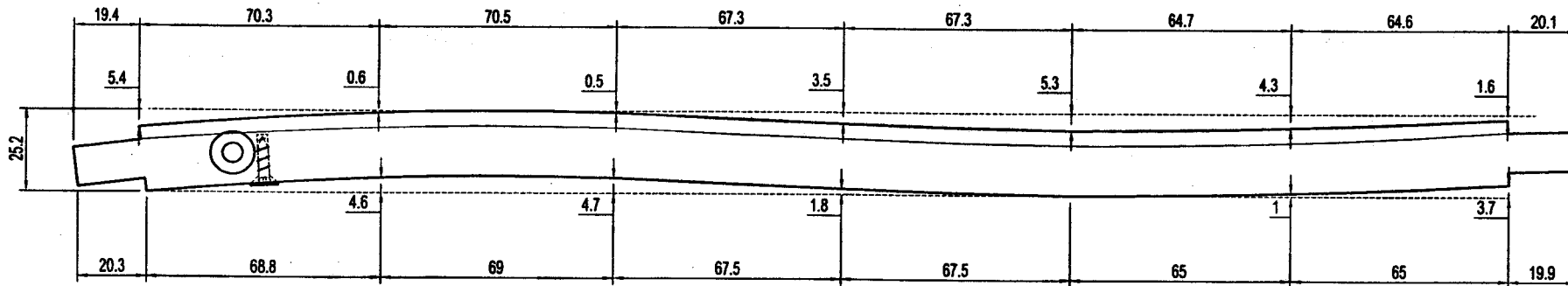
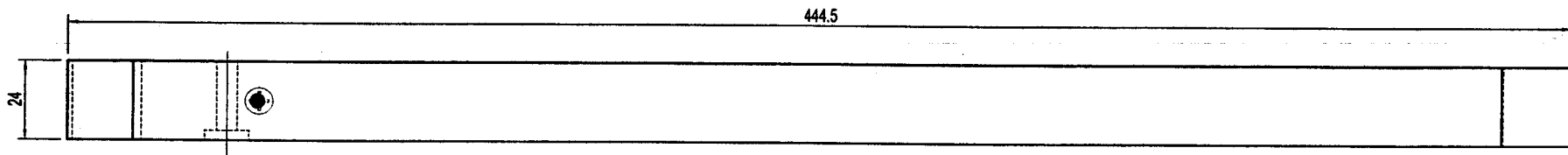
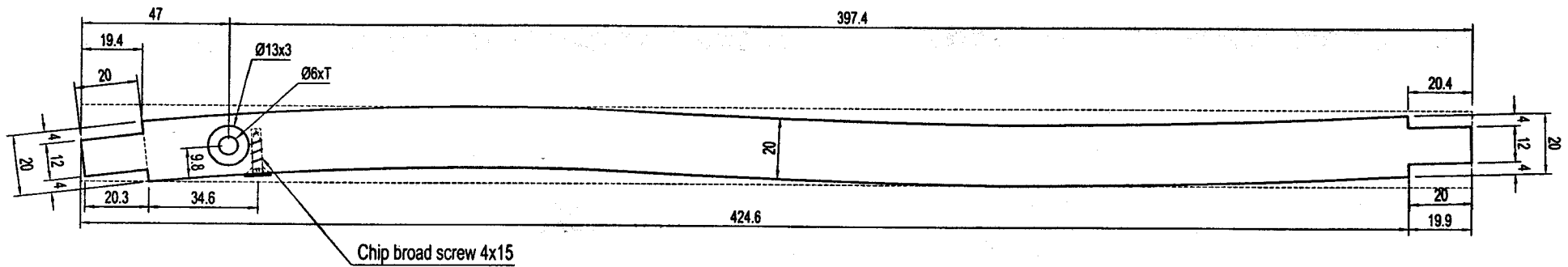
Any Query, please contact Technical Sec.

© Copyright Notice:
This Drawing is copyright protected and is the property of Scancom International AS. The drawing may not be reproduced or copied without written approval from Scancom International AS. All rights reserved Scancom International AS 2005. Violations will be prosecuted.



ScanCom
International

Component name / Ten sản phẩm:		Drawn by		Scale		Approved		Revision	
Crossbar(552x46x20)		DXN		1:2.5		HNC		Date: 29-12-2006	
Material / Vật liệu:		Component code:		C-W-DW-CB-0039					
Wood									



© Copyright Notice:

"This Drawing is copyright protected and is the property of Scancom International A/S. The drawing may not be reproduced or copied without written approval from Scancom International A/S. All rights reserved Scancom International A/S 2005. Violations will be prosecuted."



Scancom
International

Component name / Tên sản phẩm:

Slat(445x24x20)

Material / Vật liệu:

Wood

Drawn by Scale Approved

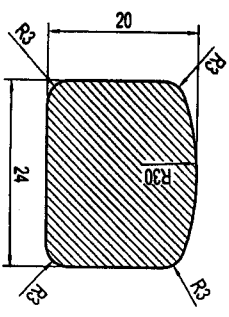
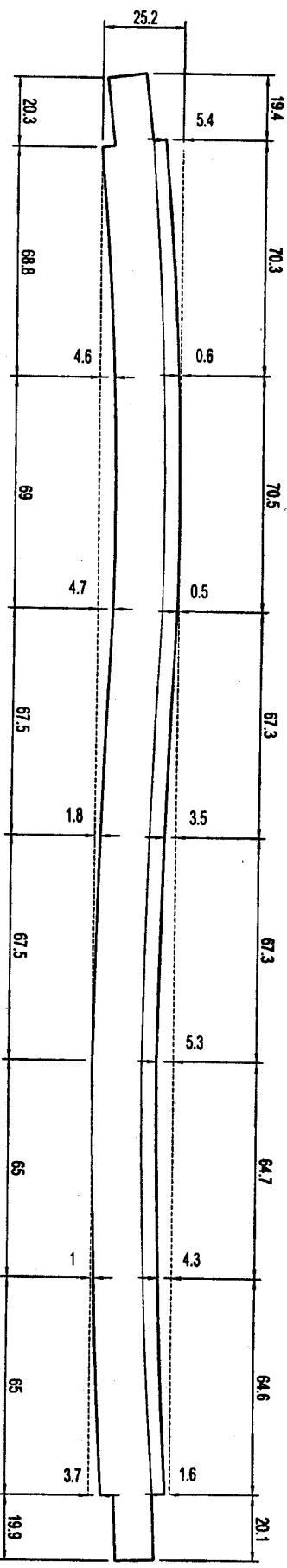
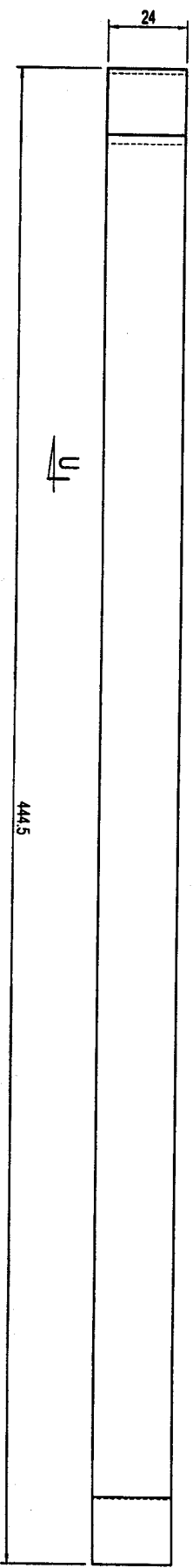
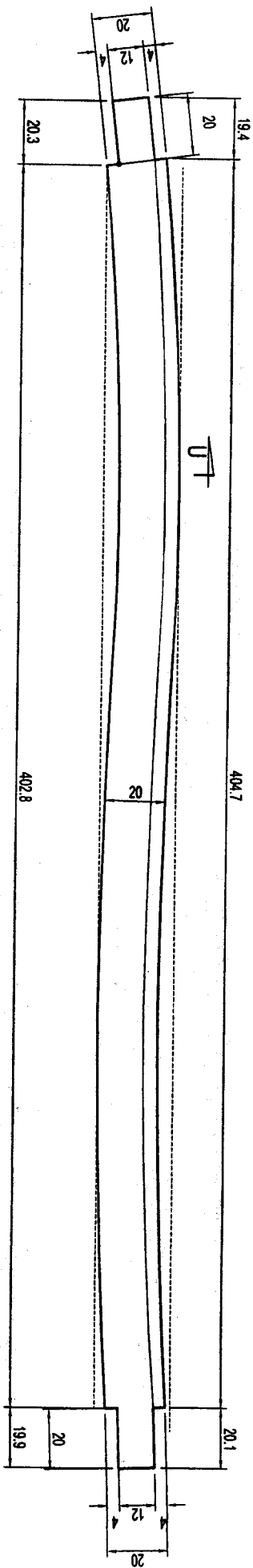
DXN 1:2 HNC

Component code:

C-W-DW-ST-0039

Revision

Date: 02-02-07



CUT UU
SCALE : 1 / 1

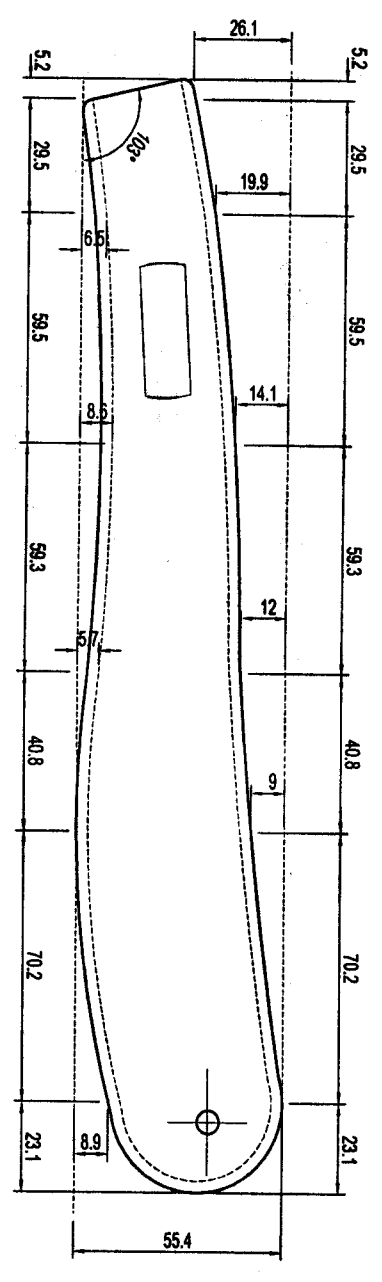
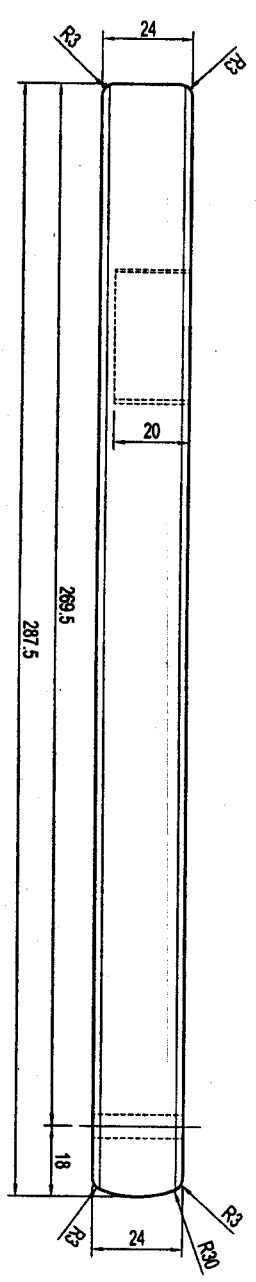
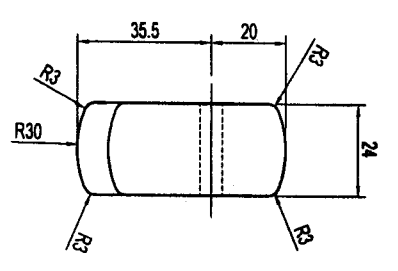
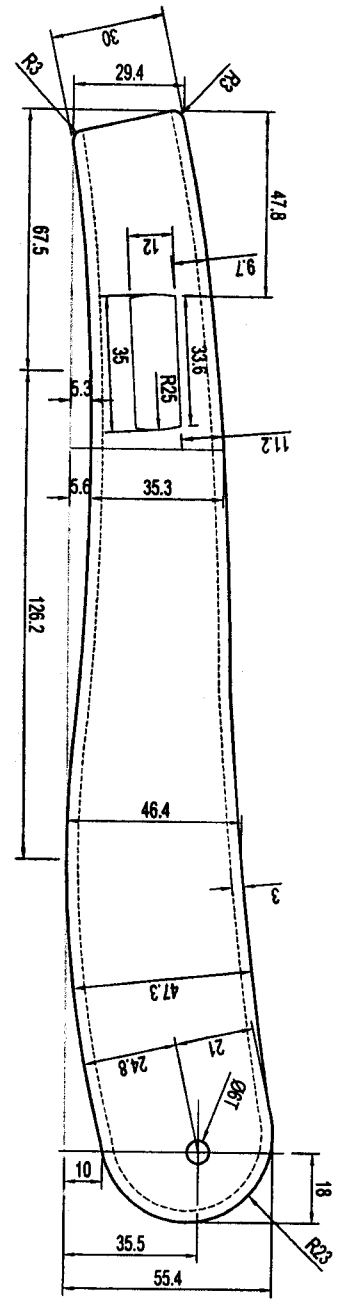
ScanCom
Technical section
Date issued: 06 SEP 2011

© Copyright Notice:
This Drawing is copyright protected and is the property of Scancom International AS. The drawing may not be reproduced or copied without written approval from Scancom International AS. All rights reserved Scancom International AS 2005. Violations will be prosecuted.



Scancom
International

Component name / Ten sản phẩm:		Slatt(445x24x20)		Drawn by:		Scale:		Approved:	
Material / Vật liệu:		Wood		DXN		1:2		HNC	
Component code:				Date:		Revision			
C-W-DW-ST-0031				28-12-06					




PROJECTION
SCALE : 1 / 2

ScanCom
Technical section

Date issued: 06 SEP 2006

Any Query, please contact Technical Sec.



© Copyright Notice:
This Drawing is copyright protected and is the property of Scancom International AS. The drawing may not be reproduced or copied without written approval from Scancom International AS. All rights reserved Scancom International AS 2005. Violations will be prosecuted."



Component name / Tên sản phẩm:		Leg(287.5x47x24)	
Material / Vật liệu:			
Drawn by:	Scale:	Approved:	Revision:
DXN	1:2	HNC	Date: 28-12-2006
Component code:		C-W-DW-LG-0054	

© Copyright Notice:

"This Drawing is copyright protected and is the property of Scancom International A/S. All rights reserved. Scancom International A/S 2005. Violations will be prosecuted."



ScanCom International

Material / Vật liệu:

Wood

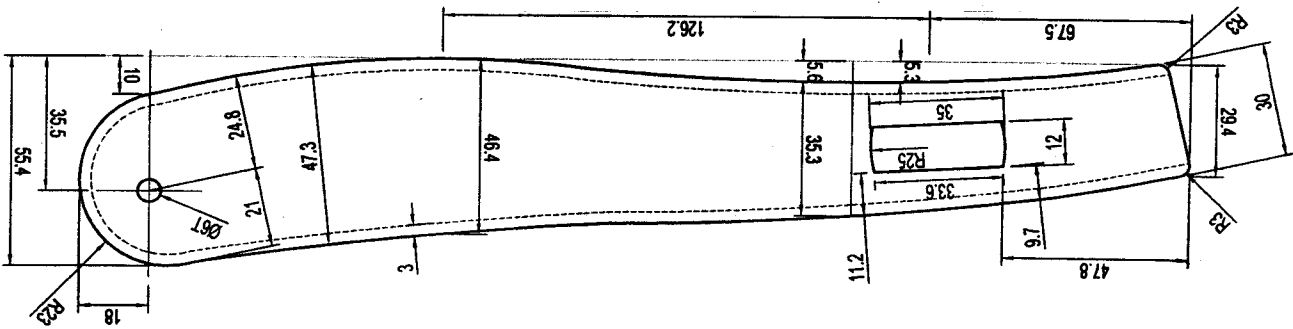
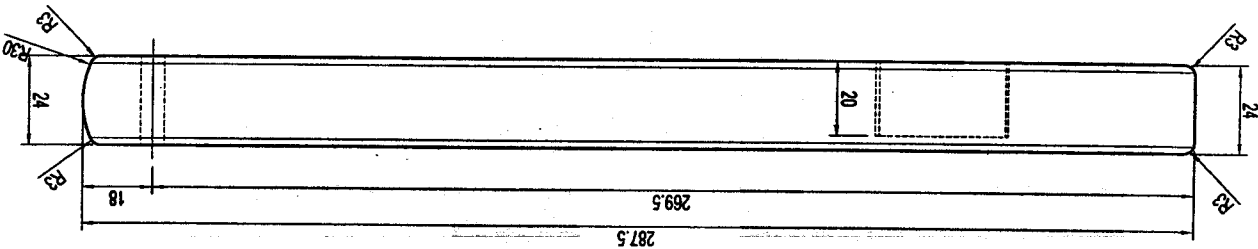
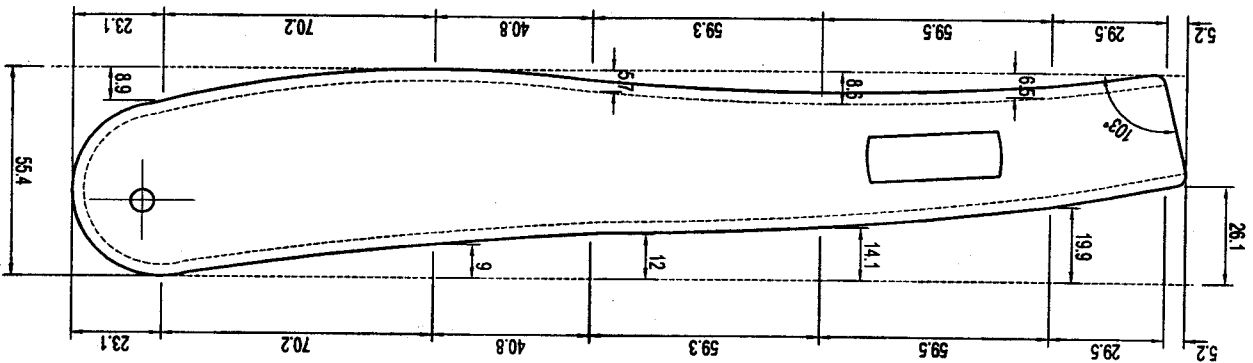
Component name / Tên sản phẩm:

Leg(287,5x47x24)

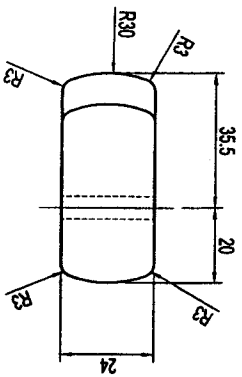
Component code:

C-W-DW-LG-0055

Drawn by	Scale	Approved	Revision
DZN	1:2	HNC	Date: 28-12-2006



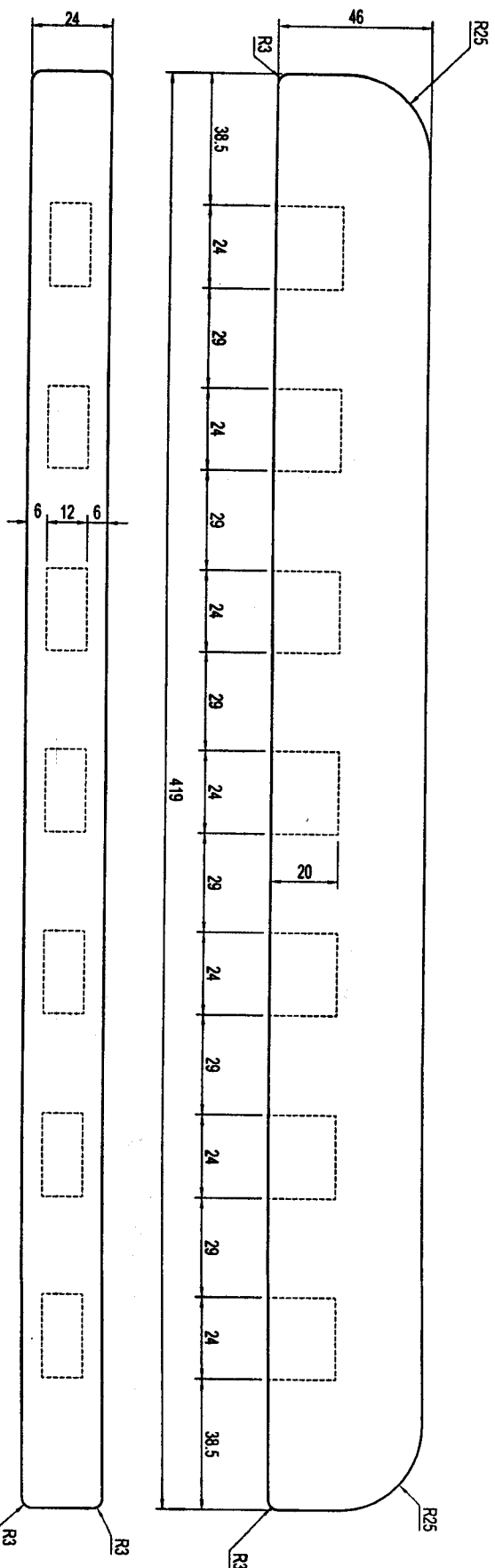
PROJECTION
SCALE : 1 / 2



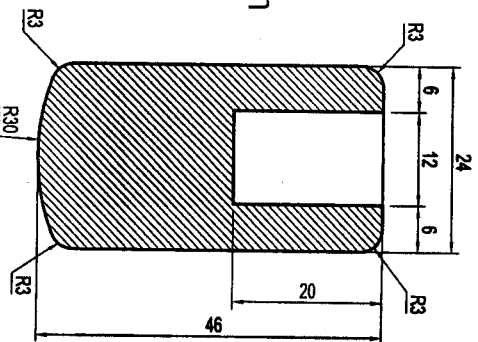
Any Query, Please Contact Technical Staff


Date issued: 05 SEP 2007

ScanCom Vietnam
Technical section



Cross Section
SCALE : 1 / 1



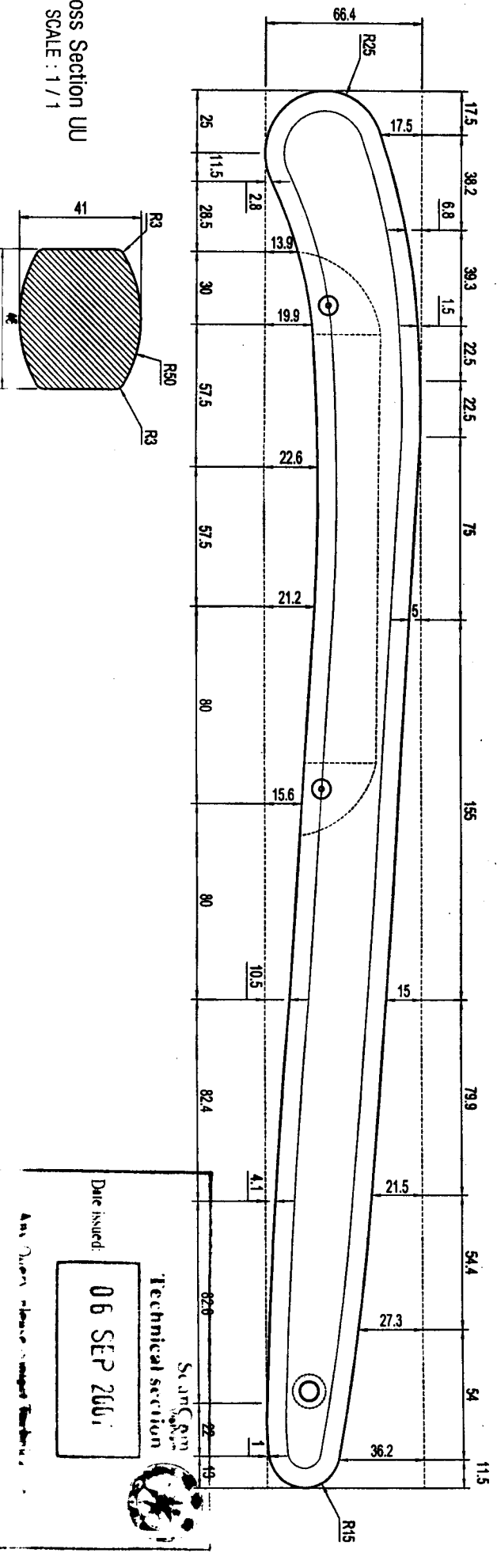
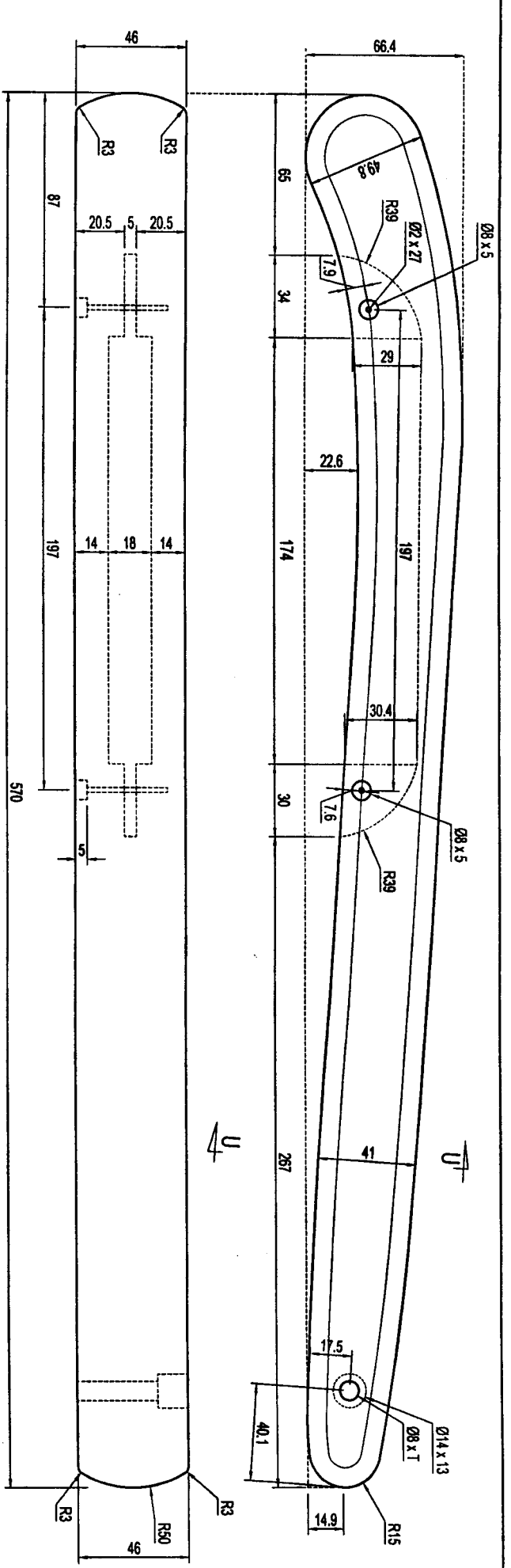

ScanCom
 Technical section
 Date issued: **05 SEP 2006**
 Any Query, please contact Technical Sec.

© Copyright Notice:
 "This Drawing is copyright protected and is the property of Scancom International AS. The drawing may not be reproduced or copied without written approval from Scancom International AS. All rights reserved Scancom International AS 2005. Violations will be prosecuted."



ScanCom
International

Component name / Tên sản phẩm:		Crossbar(419x46x24)	
Material / Vật liệu:		Wood	
Drawn by	Scale	Approved	Revision
DXN	1:2	HNC	Date: 29-12-2006
Component code:		C-W-DW-CB-0040	



Cross Section UU
SCALE : 1 / 1

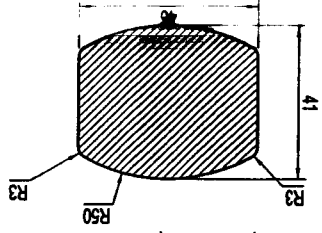
© Copyright Notice:
This Drawing is copyright protected and is the property of Scancom International AS. The drawing may not be reproduced or copied without written approval from Scancom International AS. All rights reserved Scancom International AS 2005. Violations will be prosecuted.*



Component name / Tên sản phẩm:		Armrest(570x50x46)	
Material / Vật liệu:		Wood	
Drawn by:	Scale:	Approved:	Revision:
DXN	1:2.5	HNC	Date: 29-12-2006
Component code:		C-W-DW-AR-0021	

ScanCom
Technical section
Date issued:
06 SEP 2006

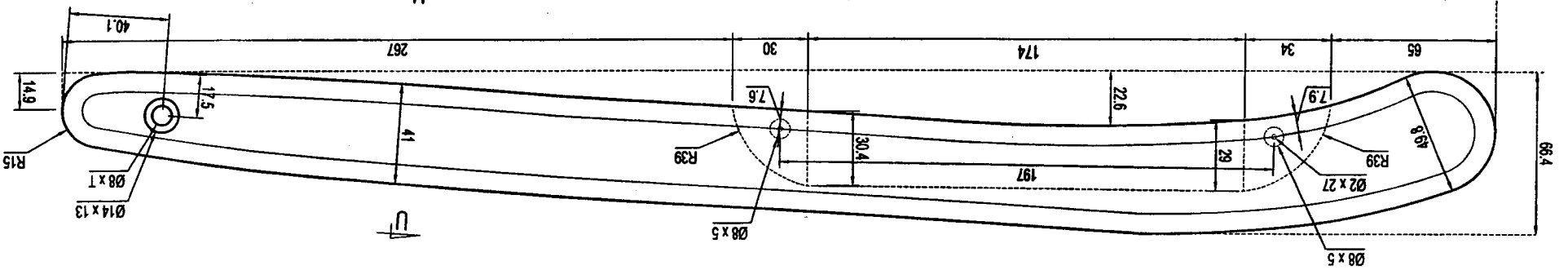
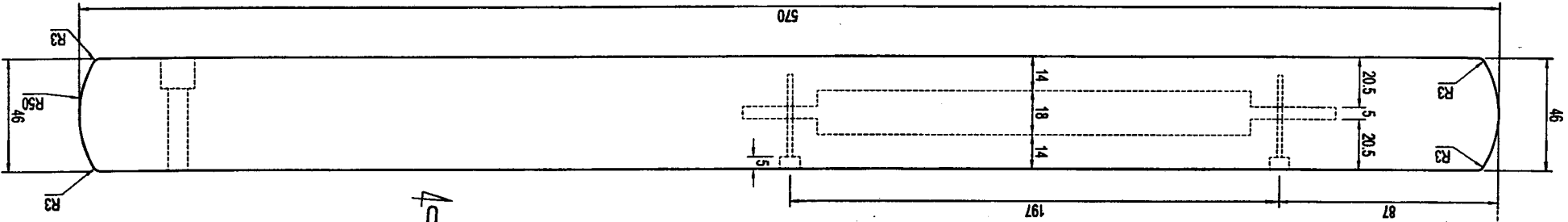
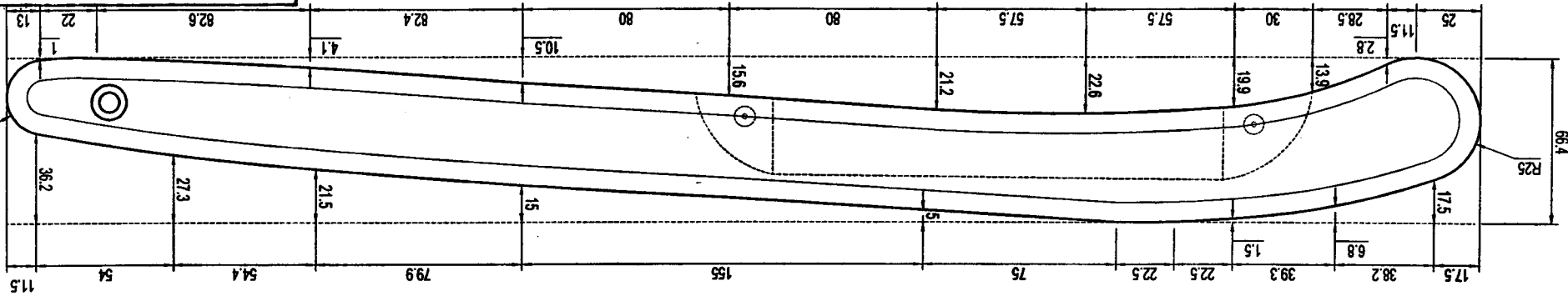
Cross Section UU
SCALE: 1:1



© Copyright Notice:
This Drawing is copyright protected and is the property of Scancom International A/S. The drawing may not be reproduced or copied without written approval from Scancom International A/S. All rights reserved Scancom International A/S 2005. Violations will be prosecuted.



Component name / Tên sản phẩm: Armrest(570x50x46)		Material / Vật liệu: Wood	
Component code: DXN 1:2.5 HNC		Date: 29-12-2006	
Any Query, Drawings, Scale, Approval, Revision			



ScanCom
Technical section
Date issued: 05 SEP 2007

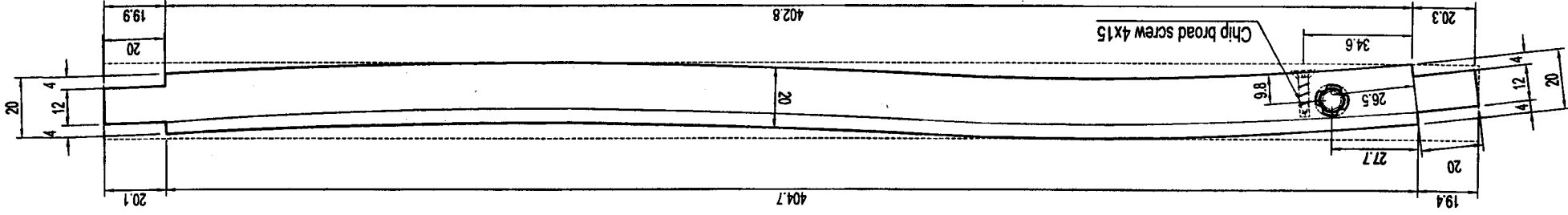
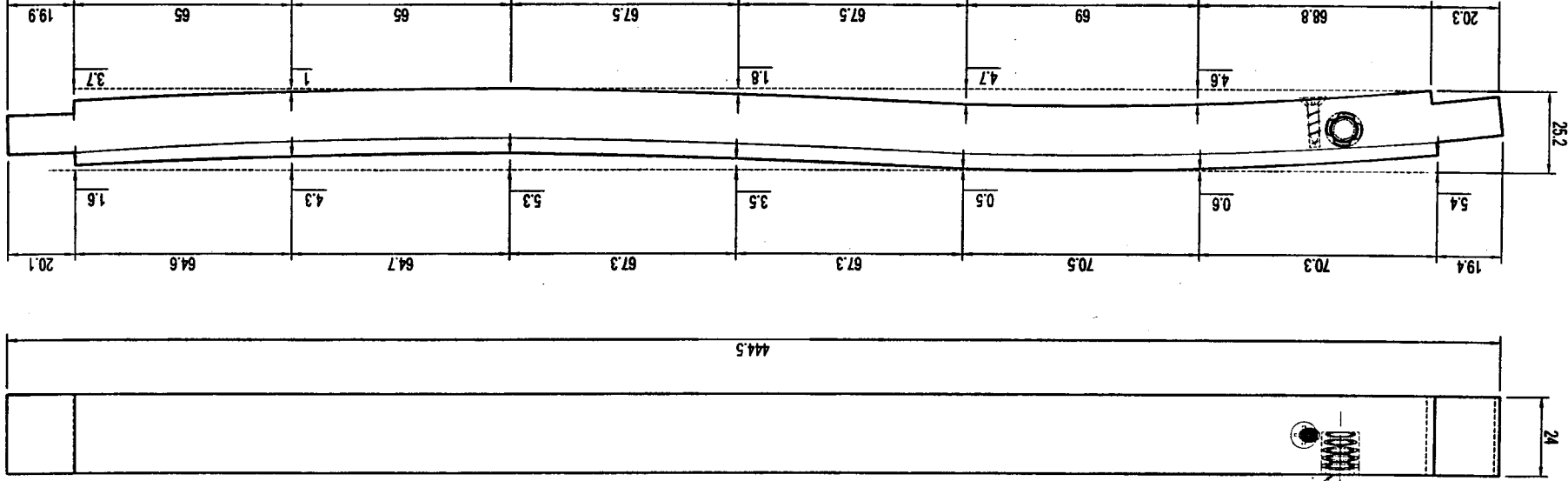
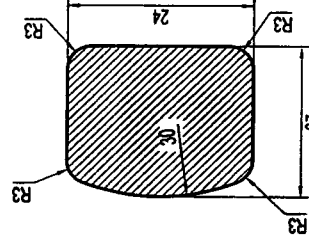


© Copyright Notice: This Drawing is copyright protected and is the property of Scancom International A/S. All rights reserved. Scancom International A/S 2005. Violations will be prosecuted.

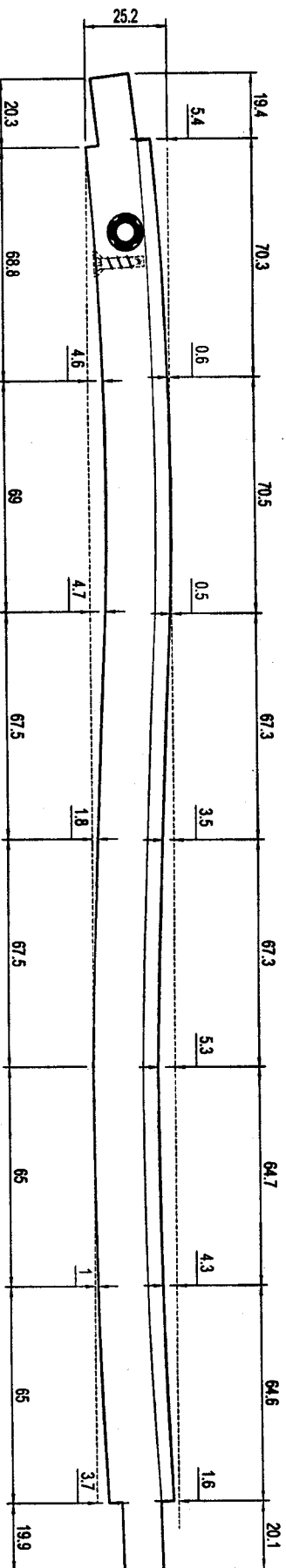
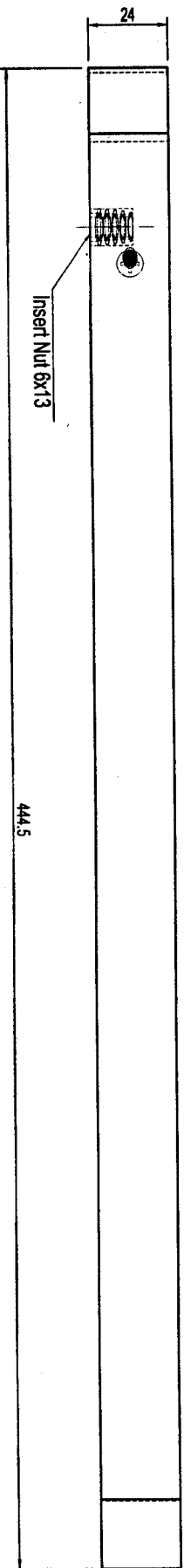
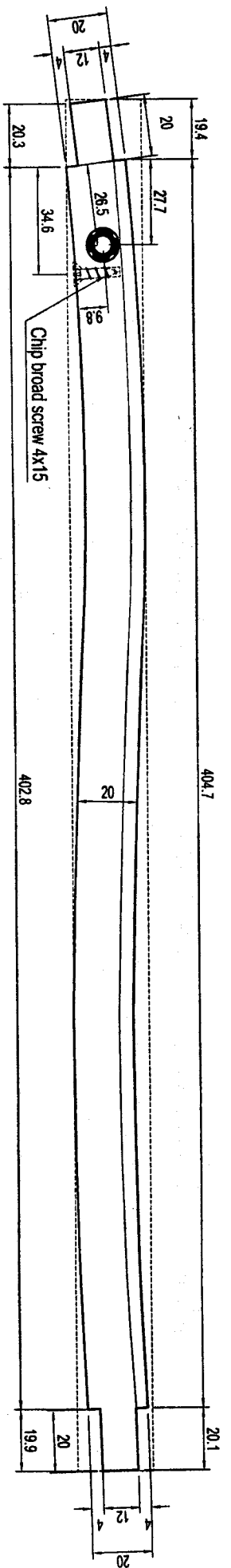


Component name / Tên sản phẩm: Wood		Material / Vật liệu: Wood	
Component code: C-W-DW-ST-0040		Material / Vật liệu: Wood	
Drawn by: Scale: Approved: Revision:	DXN 1:2	HNC	Date: 02-02-07
Component name / Tên sản phẩm: Slat(445x24x20)		Material / Vật liệu: Wood	

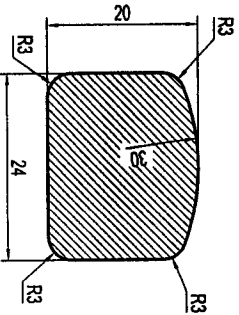
Cross Section
SCALE : 1 / 1



Scancom Vietnam
Technical section
Date issued: 06 SEP 2007




Cross Section
SCALE : 1 / 1



SumCom
Technical section

Date issued: 05 SEP 2011

Any Query, please contact Technical Sec.



© Copyright Notice:

This Drawing is copyright protected and is the property of Scancoom International A/S. The drawing may not be reproduced or copied without written approval from Scancoom International A/S. All rights reserved Scancoom International A/S 2005. Violations will be prosecuted.



Scancoom
International

Component name / Nam sản phẩm

Slat(445x24x20)

Material / Vật liệu:

Wood

Drawn by / Vẽ

DXN

Scale / Tỷ lệ

1:2

Revision / Sửa đổi

Date: 02-02-07

Component code:

C-W-DW-ST-0041