

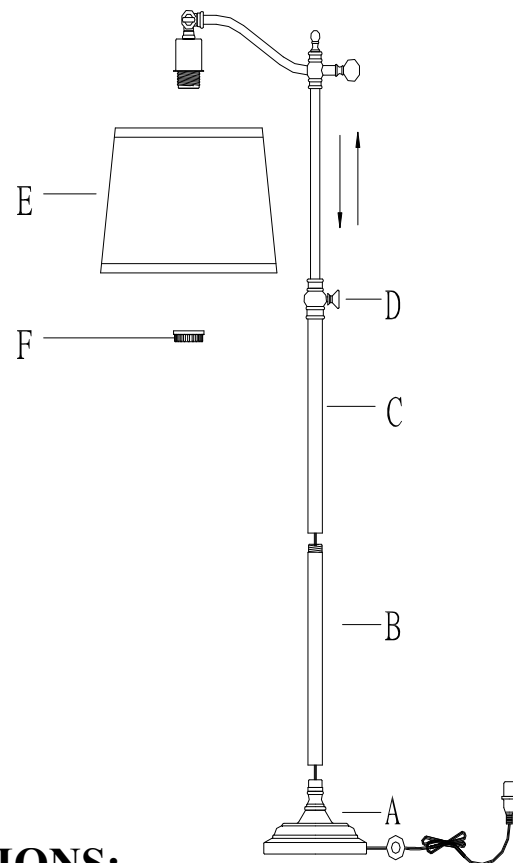
ASSEMBLY INSTRUCTIONS:

ITEM NO.: BO-2205FL-AB

1. Carefully unpack and lay out all parts on smooth surface.
2. Screw Metal Tube(B) into Base(A).
3. Screw Lamp Body(C) onto Tube(B).
4. Place Shade(E) on socket and tighten it by Outer Ring(F).
5. Turn Bar(D) to adjust the bend tube to change the height of the lamp, tighten the Bar(D) after finish the adjustment.(Re: Adjust the bend tube down meanwhile need to pull the cord from the base)

Your lamp now is ready to enjoy

Use 100 Wattage (Maximum) type A bulb (Bulb not included)



IMPORTANT SAFETY INSTRUCTIONS:

THIS PORTABLE LAMP HAS A POLARIZED PLUG (ONE BLADE IS WIDER THAN THE OTHER) AS A SAFETY FEATURE TO REDUCE THE RISK OF ELECTRIC SHOCK. THIS PLUG WILL FIT IN A POLARIZED OUTLET ONLY ONE WAY. IF IT DOES NOT FIT FULLY IN THE OUTLET, REVERSE THE PLUG. IF IT STILL DOES NOT FIT, CONTACT A QUALIFIED ELECTRICIAN. NEVER USE WITH AN EXTENSION CORD UNLESS THE PLUG CAN BE FULLY AND EASILY INSERTED. DO NOT ATTEMPT TO ALTER THE PLUG.

SAVE THESE INSTRUCTIONS FOR FUTURE REFERENCE.