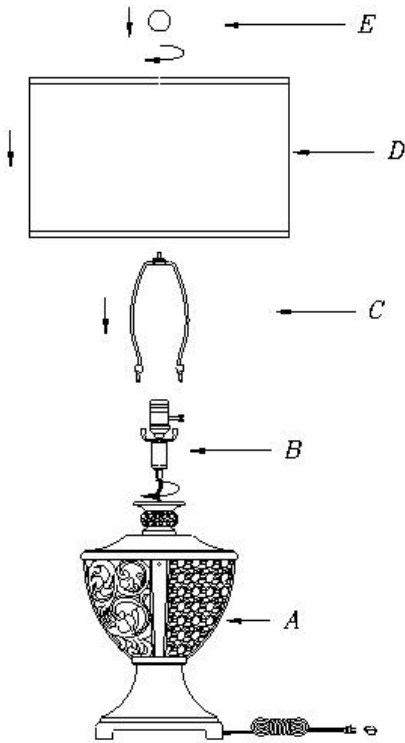


Installation Instruction

Item No: BO-2171TB



1. Carefully unpack and take out the parts as picture shown.
2. Screw the lamp holder (B) onto the lamp base (A).
3. Squeeze harp (C) together and insert into saddle tightly.
4. Attach the shade (D) onto harp (C), then screw the finial (E) clockwise to secure the Shade (D).

Important Safety Instruction

This portable lamp has a polarized plug (One blade is wider than the other) as a safety feature to reduce the risk of the electric shock. This plug will fit in a polarized outlet only one way. If the plug does not fit in the outlet, reverse the plug. If it still does not fit, consult a qualified electrician. Never use an extension cord unless the plug can be fully inserted. Do not alter the plug.

Note: 120V/ 150W

★ Keep this instruction for future reference