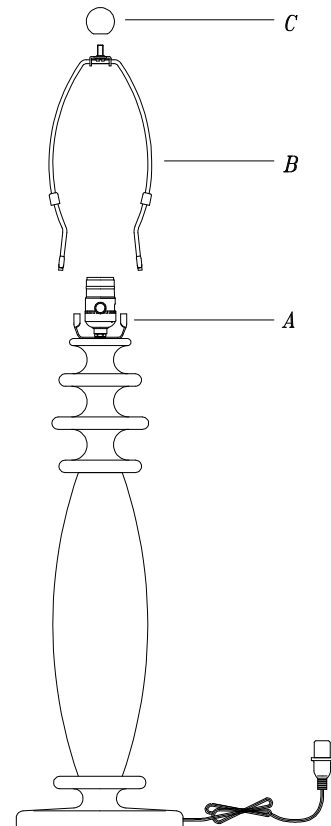


# ASSEMBLY INSTRUCTIONS

## ITEM NO: BO-980L

1. CAREFULLY UNPACK AND PLACE ALL PARTS ON A SMOOTH SURFACE AND LAY THEM UP AS PER THE SKETCH.
2. PUT THE HARP(B) ONTO THE SADDLE OF THE BODY (A).
3. PUT THE SHADE (NOT INCLUDED) ONTO THE HARP (B) AND THEN FIX SHADE(NOT INCLUDED) WITH THE FINIAL(C).
4. INSERT THE POLARIZED PLUG INTO OUTLET , TURN ON THE SWITCH AND ENJOY YOUR LAMP.

WATTAGE: 3-WAY 150W TYPE A (EX BULB)



## IMPORTANT SAFETY INSTRUCTIONS:

THIS PORTABLE LAMP HAS A POLARIZED PLUG (ONE BLADE IS WIDER THAN THE OTHER) AS A FEATURE TO REDUCE THE RISK OF ELECTRIC SHOCK. THIS PLUG WILL FIT IN A POLARIZED OUTLET ONLY ONE WAY. IF IT DOES NOT FIT FULLY IN THE OUTLET, REVERSE THE PLUG. IF IT STILL DOES NOT FIT, CONTACT A QUALIFIED ELECTRICIAN. NEVER USE WITH AN EXTENSION CORD UNLESS THE PLUG CAN BE FULLY INSERTED. DO NOT ALTER THE PLUG.

**SAVE THESE INSTRUCTIONS FOR FUTURE REFERENCE.**

325154B