

Linden Bath Bar

600LNDB

1.0



GENERAL PRODUCT INFORMATION:



This product can mount to either a 4" square electrical box with round plaster ring or an octagon electrical box.

This product can be mounted vertical or horizontal.

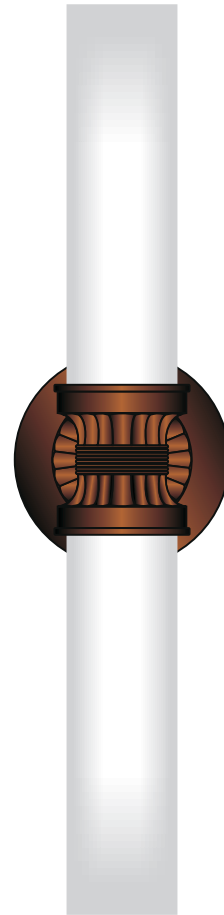
This product is suitable for damp locations.

This product can be dimmed with a standard incandescent dimmer.

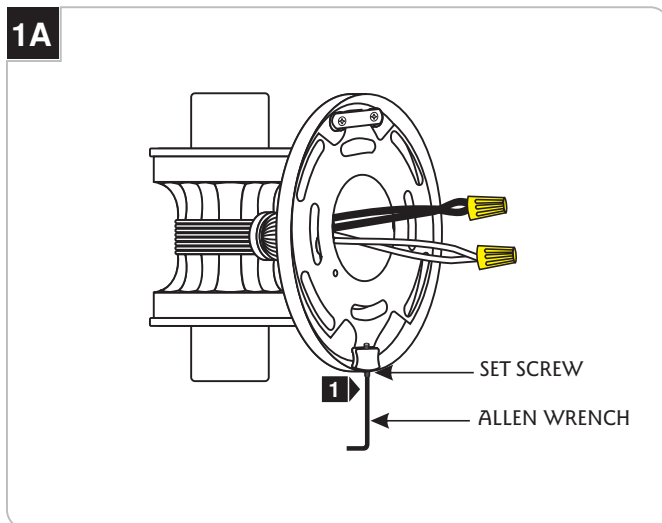
This instruction shows a typical installation.

CAUTION - RISK OF FIRE

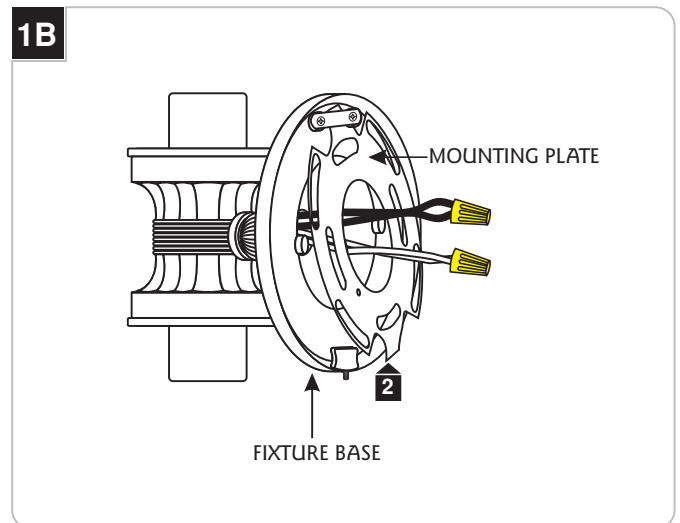
This product requires installation by a qualified electrician. Before installing be sure to read all instructions and **TURN THE POWER TO THE ELECTRICAL BOX OFF.**



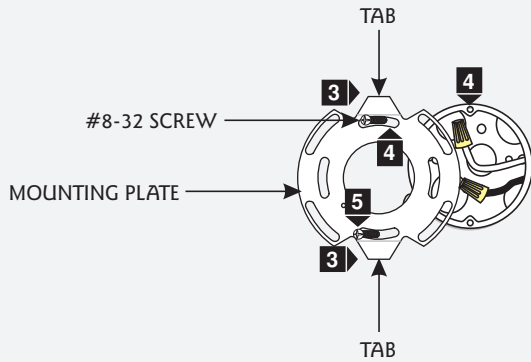
Install the Fixture



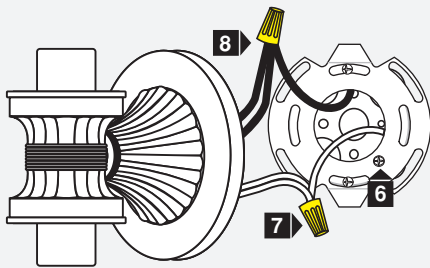
1 With the provided Allen wrench unscrew (**Do Not Remove**) the set screw on the bottom of the fixture base.



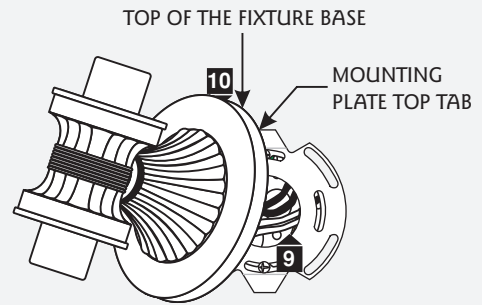
2 Pull out the mounting plate from the fixture base.

1C

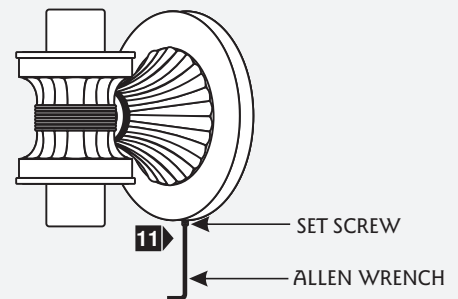
- 3** ▶ Make sure the two tabs on the mounting plate are positioned at the top and bottom of the plate.
- 4** ▶ Line up two mounting plate slots with the two electrical box holes.
- 5** ▶ Level the mounting plate and secure it to the electrical box with the two #8-32 screws provided.

1D

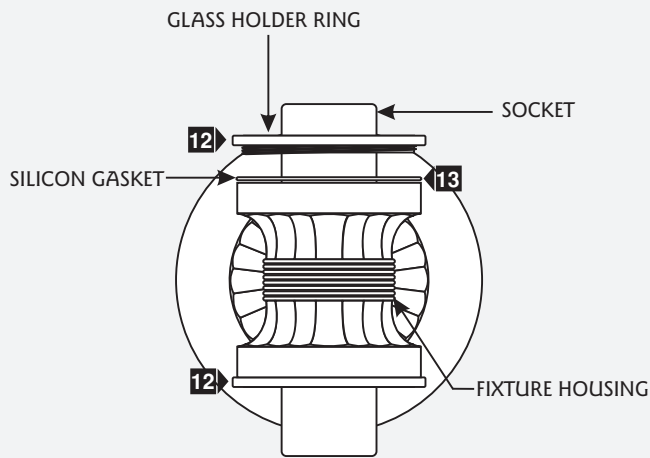
- 6** ▶ Ground the mounting plate in accordance with local electrical codes.
- 7** ▶ Connect the two white fixture wires to the neutral power line wire with a wire nut.
- 8** ▶ Connect the two black fixture wires to the hot power line wire with a wire nut.

1E

- 9** ▶ Place all wires and wire nut connections properly inside the electrical box.
- 10** ▶ Hook the top of the fixture base over the mounting plate top tab.

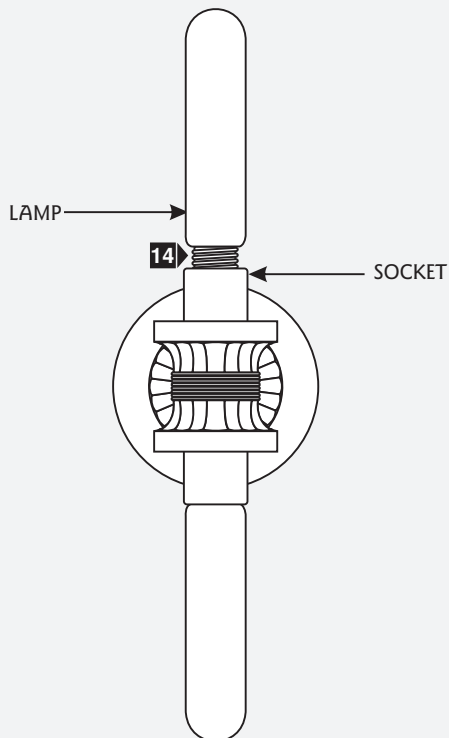
1F

- 11** ▶ Line up the fixture on the wall and then secure it to the mounting plate by tightening the set screw at the base of the fixture.

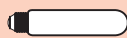
1G

12 ➤ Unscrew and remove the glass holder ring from the fixture housing.

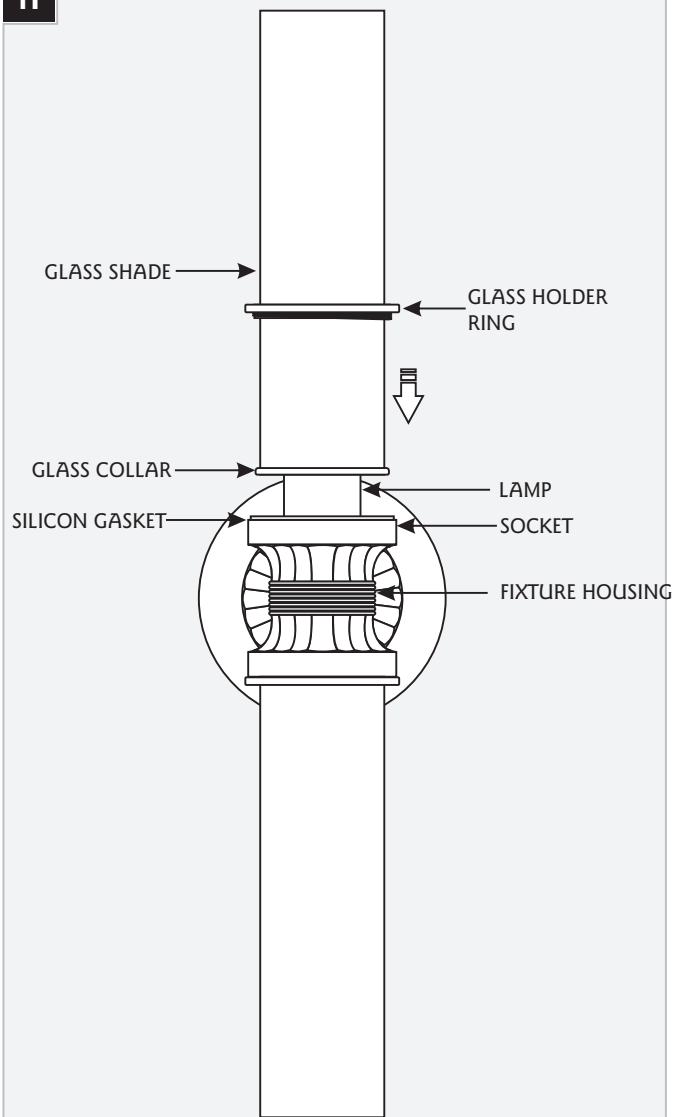
13 ➤ Do not remove the silicon gasket.

1H

Use **MAX** 120 Volt, **60** Watt Type T10 Medium Base Lamp, For Each Socket.



14 ➤ Screw the lamp completely into the socket, and repeat for the other side.

1I

15 ➤ Slide the glass holder ring onto the glass shade.

16 ➤ Screw the glass holder ring completely to the fixture housing to secure the glass shade in place, and repeat for the other side.

NOTE: Do not over tighten the glass holder ring which may cause the glass shade to break.

NOTE: To Replace the lamp:

- Turn the power to the fixture off.
- While supporting the glass shade unscrew and remove the glass holder ring, and glass shade.
- Remove the old lamp.
- Follow the steps 14 through 16 on this page.

SAVE THESE INSTRUCTIONS!



7400 Linder Ave, Skokie, IL 60077
847.410.4400

www.wilmettelighting.com

© 2008 Wilmette Lighting Company. All rights reserved. The "Wilmette Lighting Company" graphic is a registered trademark of Wilmette Lighting Company. Wilmette Lighting Company reserves the right to change specifications for product improvements without notification.

A Generation Brands Company