

Mini Clybourn

600FJMCLYB 1.0

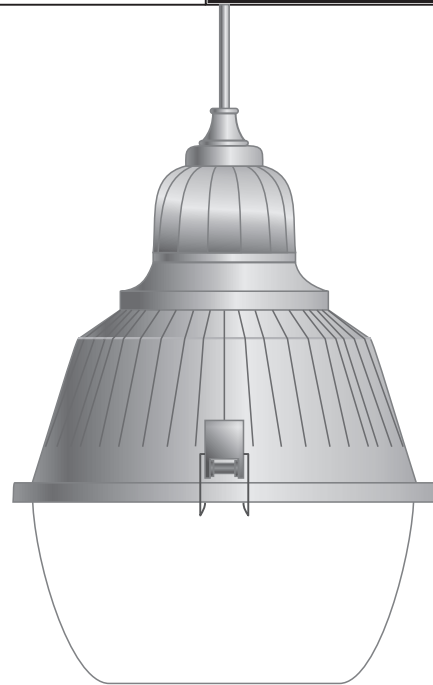


GENERAL PRODUCT INFORMATION:

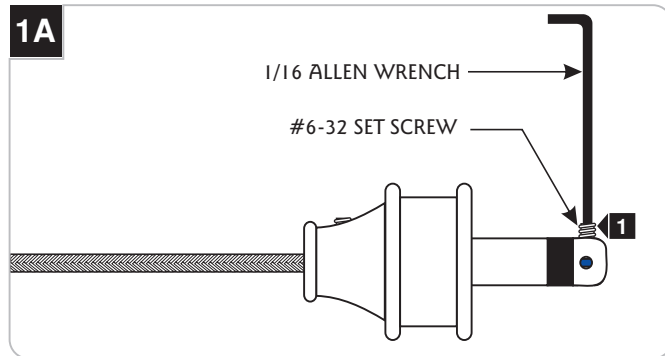


This product is ETL listed and suitable only for indoor dry locations and approved for use at any height above the finished floor.

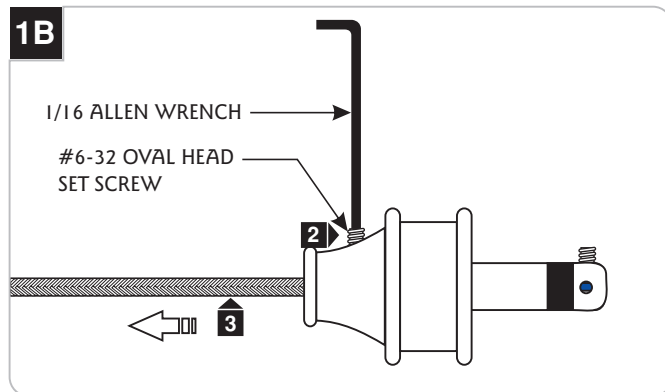
This product is patented (U.S. PAT. 6,183,297).



Adjust The Fixture Height

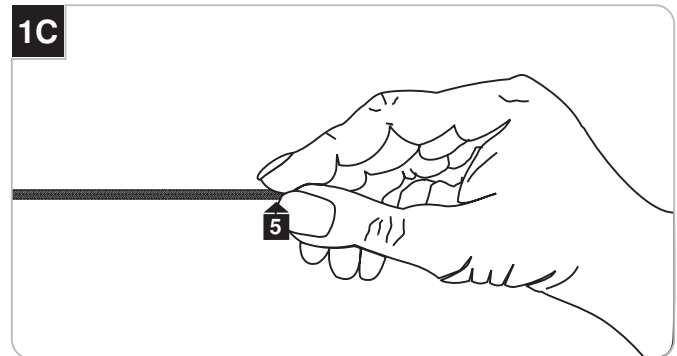


1 Back out (**Do Not Remove**) the #6-32 set screw on tip of the connector with the provided 1/16 Allen wrench.



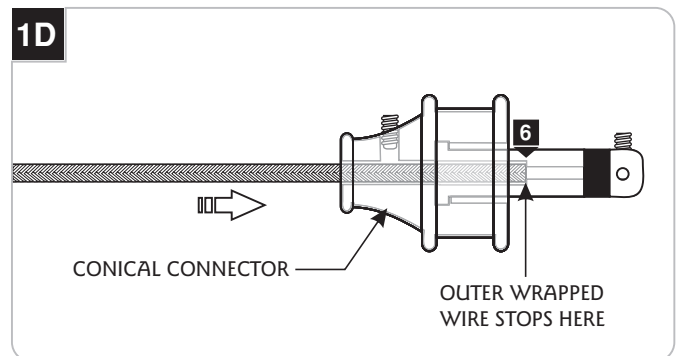
2 Back out (**Do Not Remove**) the #6-32 oval head set screw on the conical connector with the provided 1/16 Allen wrench.

3 Pull the coaxial cable out.

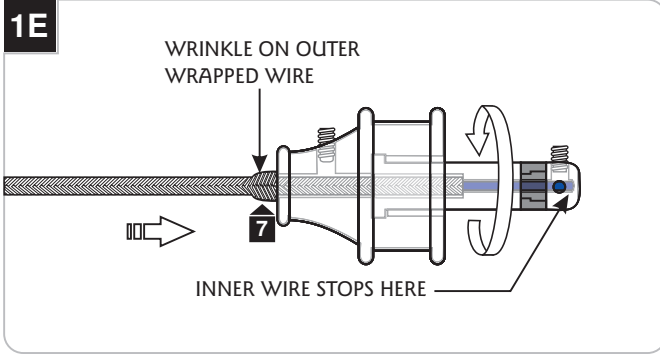


4 Cut the coaxial cable to the desired length.

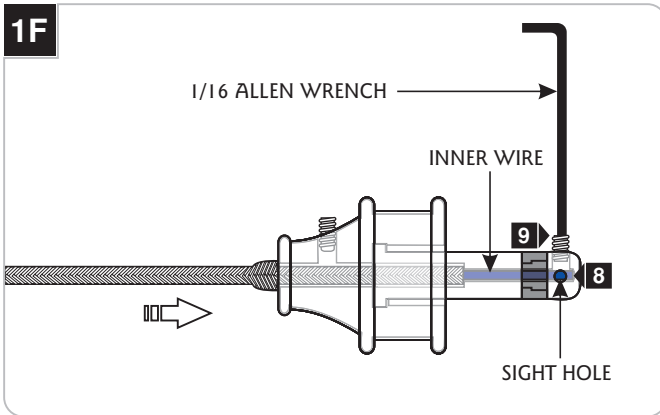
5 Gently twist the end of the coaxial cable between thumb and forefinger.



6 Feed and push the coaxial cable into the conical connector. The coaxial cable will come to a stop point after being inserted 3/4" into the conical connector.

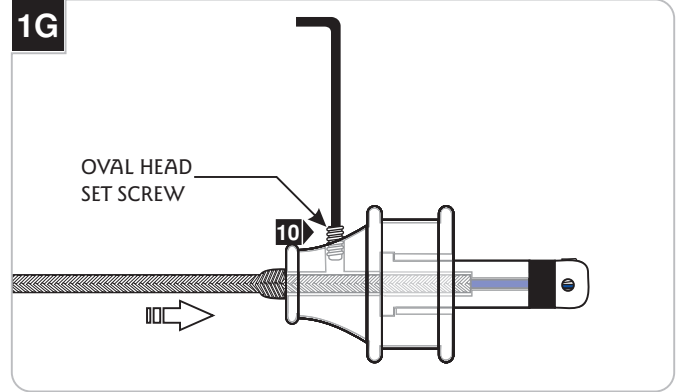


7 Keep pushing the coaxial cable into the connector while rotating the connector to ease feeding the inner wire into the tip of the connector. The outer wrapped wire will start wrinkling while being inserted another 1/2" into the connector.

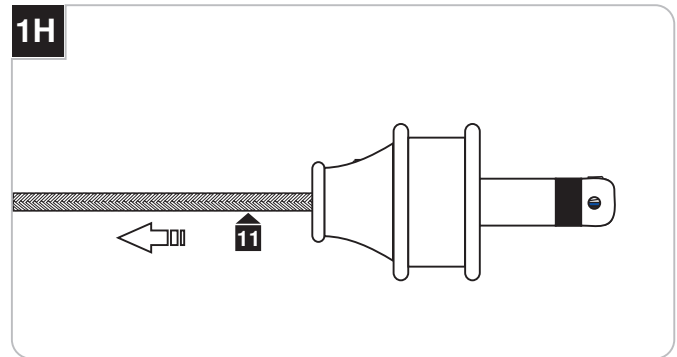


8 Look into the sight hole on the top of the connector to make sure that the inner wire is contacting the end of the connector.

9 Hold the coaxial cable in place and tighten the #6-32 set screw on tip of the connector with the provided 1/16 Allen wrench. **Make sure that this set screw connection is tight.**



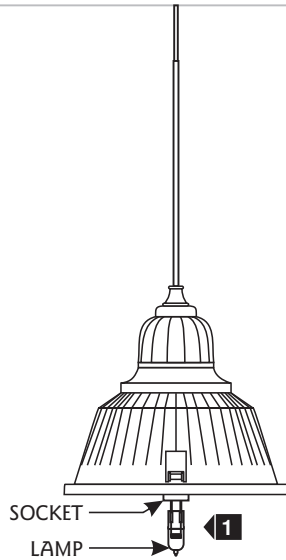
10 Tighten the #6-32 oval head set screw on the conical connector firmly.



11 Pull the coaxial cable toward the fixture to smooth the wrinkles.

Install the Lamp & Shade

2A



NOTE: To reduce the risk of a burn or electric shock during relamping, disconnect the power to the fixture.

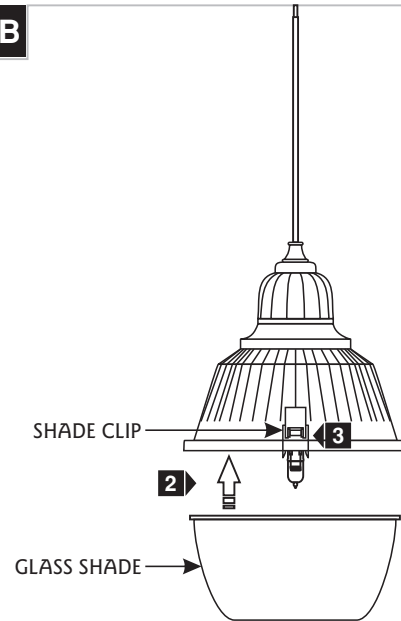
NOTE: Use only your fingers and a soft cloth to replace the lamp.

Use **MAX** 50 Watt Bi-Pin Halogen Lamp.



1 Gently insert the lamp pins into the socket holes.

2B



2 Line up the glass shade with the pendant housing.

3 Secure the glass shade by snapping on all 3 shade clips.

IMPORTANT SAFETY INSTRUCTIONS

To reduce the risk of fire, electrical shock, exposure to excessive UV radiation, or injury to person:

- Use this fixture indoors only.
- Do not look directly at the lighted lamp.
- Do not remain in light if skin feels warm.
- Risk of fire: Use only the type of lamp and maximum wattage indicated in this instruction manual.
- Never cover the halogen lamp with anything other than a Wilmette Lighting lamp shield and never place flammable material close to your fixture.
- Never turn the fixture on and off by connecting and disconnecting the halogen lamp.
- Do not touch the fixture shades or lamp shield while the fixture is on. These surfaces may be HOT.

Halogen Lamp General Information

- A new halogen lamp may smoke slightly when it is used for the first time. This is perfectly normal; the protective coating is simply being vaporized.

Two Tips For Prolonging Halogen Lamp Life

- First avoid touching the lamp with bare hands during installation. Any contaminant, even the oil from your hands can deteriorate the lamp. Rubbing alcohol can be used to remove any contaminant.
- Second, do not run the lamps at full power when you do not need to. However, if dimming the fixture for an extended period of time, occasionally bring the light up to full brightness for a few minutes to complete the halogen cycle.

SAVE THESE INSTRUCTIONS!



7400 Linder Ave, Skokie, IL 60077
847.410.4400

www.wilmettelighting.com

© 2008 Wilmette Lighting Company. All rights reserved. The "Wilmette Lighting Company" graphic is a registered trademark of Wilmette Lighting Company. Wilmette Lighting Company reserves the right to change specifications for product improvements without notification.

A Generation Brands Company