

Union Small Pendant

600UNSP

1.5



GENERAL PRODUCT INFORMATION:



This product can mount to either a 4" square electrical box with round plaster ring or an octagon electrical box.

This product is suitable for indoor damp locations.

This product can be dimmed with a standard incandescent dimmer.

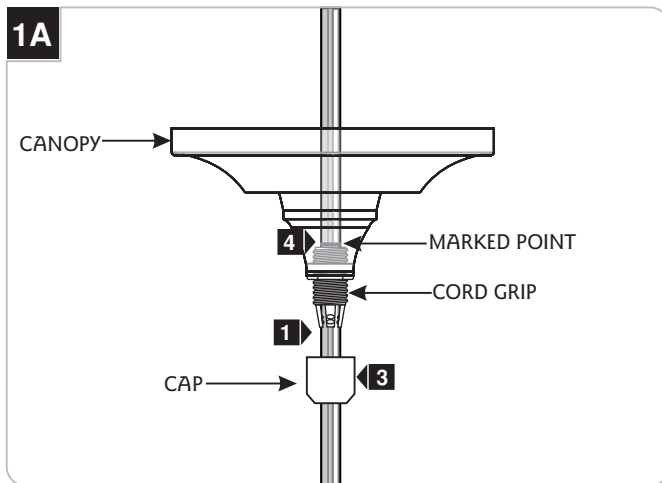
This instruction shows a typical installation.

CAUTION - RISK OF FIRE

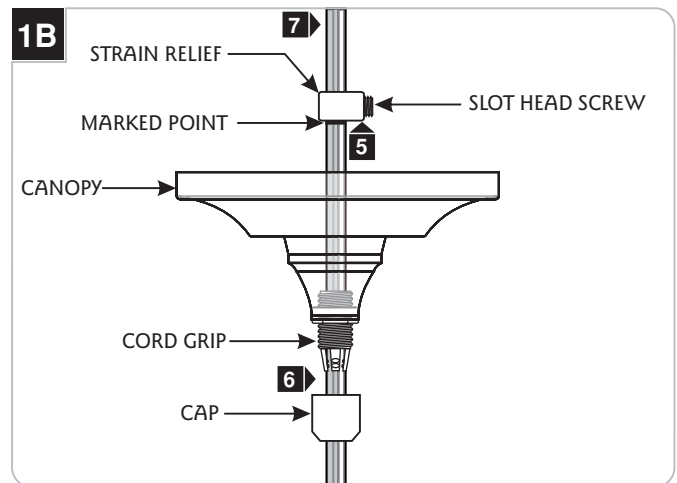
This product requires installation by a qualified electrician. Before installing be sure to read all instructions and **TURN THE POWER TO THE ELECTRICAL BOX OFF.**



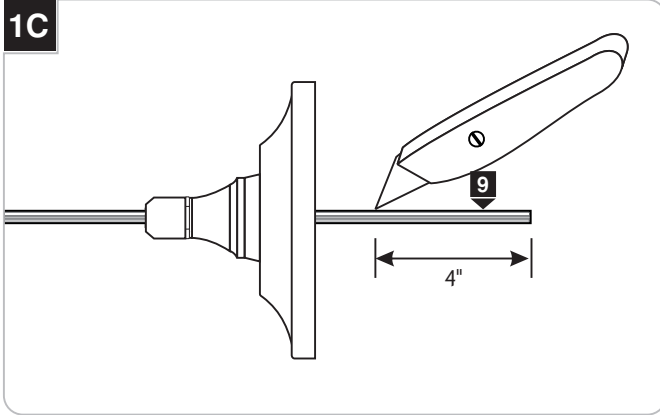
Install the Fixture



- 1** Feed end of the fixture cord through the cap, and cord grip into the canopy.
- 2** Adjust the fixture height (from bottom of the fixture shade to top of the canopy) by moving the cord up or down.
- 3** When desired height is achieved, slightly tighten the cap.
- 4** From inside mark the cord right behind the cord grip for strain relief location.

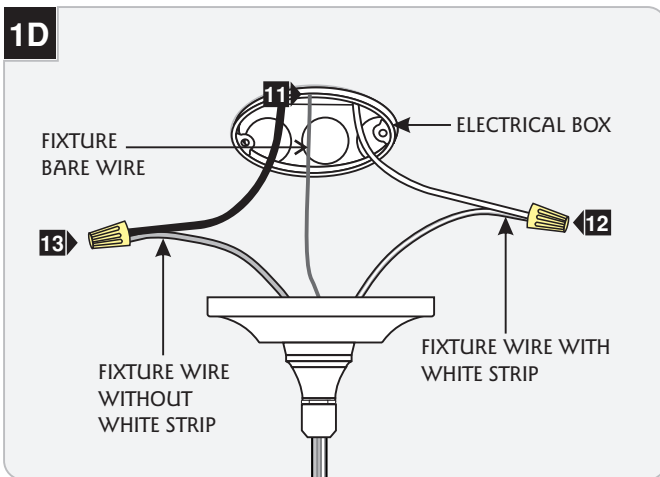


- 5** Loosen the cap and feed the cord through the strain relief. Place the strain relief right above the marked point and tighten the slot head screw.
- 6** Slide the canopy up against the strain relief and tighten the cap to cord grip.
- 7** For power connection, leave at least 6" of the cord exposed in the back of the canopy.
- 8** Cut off the excess cord with a sharp cutter.



9 From the end of the cord, strip the outer insulation 4" using a sharp knife and needlenose pliers. ***Make sure not to cut inner wires.***

10 Strip 1/4" of insulation from the inner insulated wires. The bare inner wire is the ground wire.

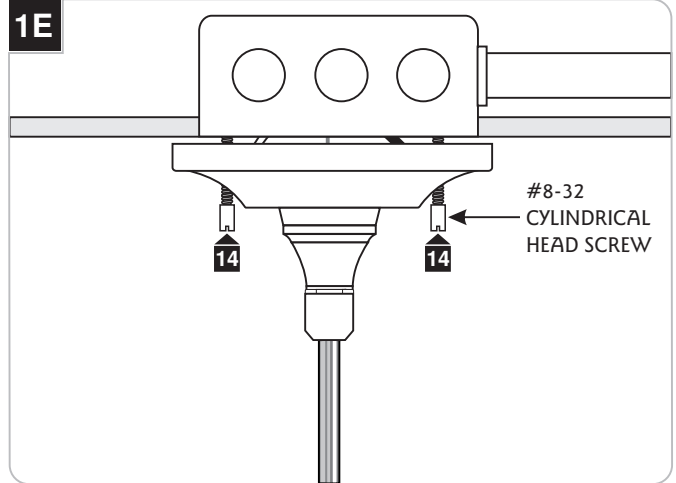


NOTE: Use the provided universal round crossbar when the canopy holes do not line up with the electrical box holes.

11 Connect the fixture bare uninsulated wire to the ground in accordance with local electrical codes.

12 Connect the fixture wire with the white strip to the 120 volt neutral power line wire with a wire nut.

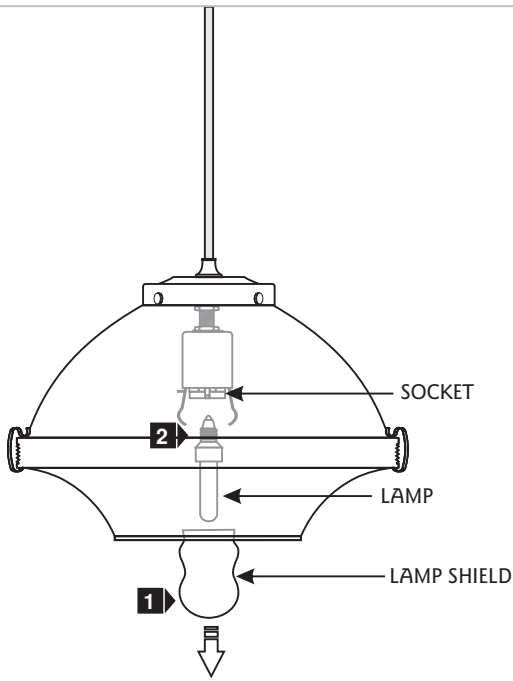
13 Connect the last fixture wire to the 120 volt hot power line wire with a wire nut.



14 Place all wires and wire nut connections properly into the electrical box and mount the canopy to the electrical box with the provided two #8-32 cylindrical head screws.

Replacing the Lamp

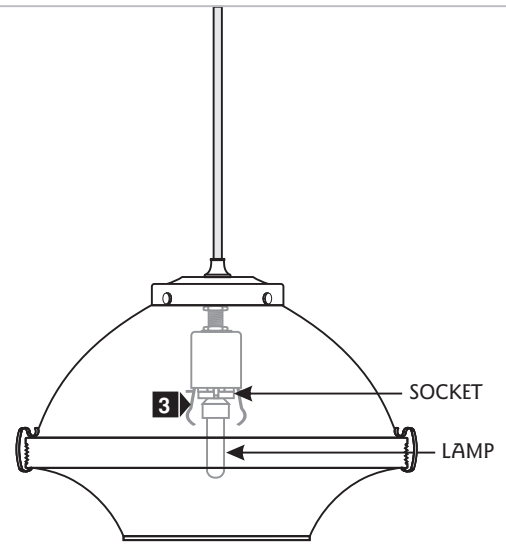
2A



CAUTION: To reduce the risk of a burn or electric shock during relamping, disconnect the power to the fixture.

- 1 ➤ Pull out the lamp shield.
- 2 ➤ Unscrew and remove the old lamp from the socket.

2B



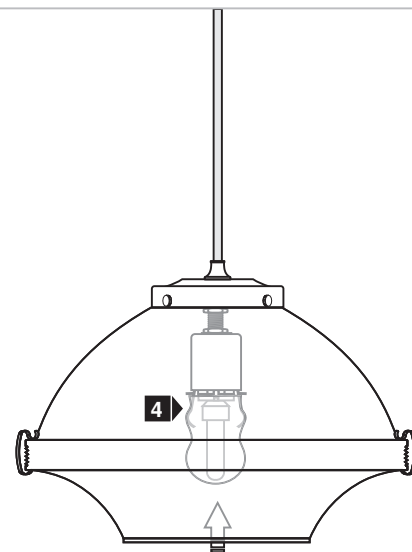
NOTE: Use only your fingers and a soft cloth to replace the lamp.

Use **MAX** 120 Volt, **60** Watt Type E11 Base Mini Candelabra Halogen Lamp.



- 3 ➤ Screw the new lamp completely into the socket.

2C



- 4 ➤ Push the lamp shield onto the spring clips.

IMPORTANT SAFETY INSTRUCTIONS

To reduce the risk of fire, electrical shock, exposure to excessive UV radiation, or injury to person:

- Use this fixture indoors only.
- Do not look directly at the lighted lamp.
- Do not remain in light if skin feels warm.
- Risk of fire: Use only the type of lamp and maximum wattage indicated in this instruction manual.
- Never cover the halogen lamp with anything other than a Wilmette Lighting lamp shield and never place flammable material close to your fixture.
- Never turn the fixture on and off by connecting and disconnecting the halogen lamp.
- Do not touch the fixture shades or lamp shield while the fixture is on. These surfaces may be HOT.

Halogen Lamp General Information

- A new halogen lamp may smoke slightly when it is used for the first time. This is perfectly normal; the protective coating is simply being vaporized.

Two Tips For Prolonging Halogen Lamp Life

- First avoid touching the lamp with bare hands during installation. Any contaminant, even the oil from your hands can deteriorate the lamp. Rubbing alcohol can be used to remove any contaminant.
- Second, do not run the lamps at full power when you do not need to. However, if dimming the fixture for an extended period of time, occasionally bring the light up to full brightness for a few minutes to complete the halogen cycle.

SAVE THESE INSTRUCTIONS!



7400 Linder Ave, Skokie, IL 60077
847.410.4400

www.wilmettelighting.com

© 2008 Wilmette Lighting Company. All rights reserved. The "Wilmette Lighting Company" graphic is a registered trademark of Wilmette Lighting Company. Wilmette Lighting Company reserves the right to change specifications for product improvements without notification.

A Generation Brands Company